

# Mobile Column Lift

## for Vans, Buses and Trucks up to 44 t

**Model: MCL**



- ▶ Electronic control with single and group operation
- ▶ Standard delivery expandable to 6 and 8 columns
- ▶ Lifting carriage with fixed wheel lifting forks
- ▶ Trapezoidal lifting screw with safety nut
- ▶ Automatic synchronization
- ▶ Low net weight for easy handling

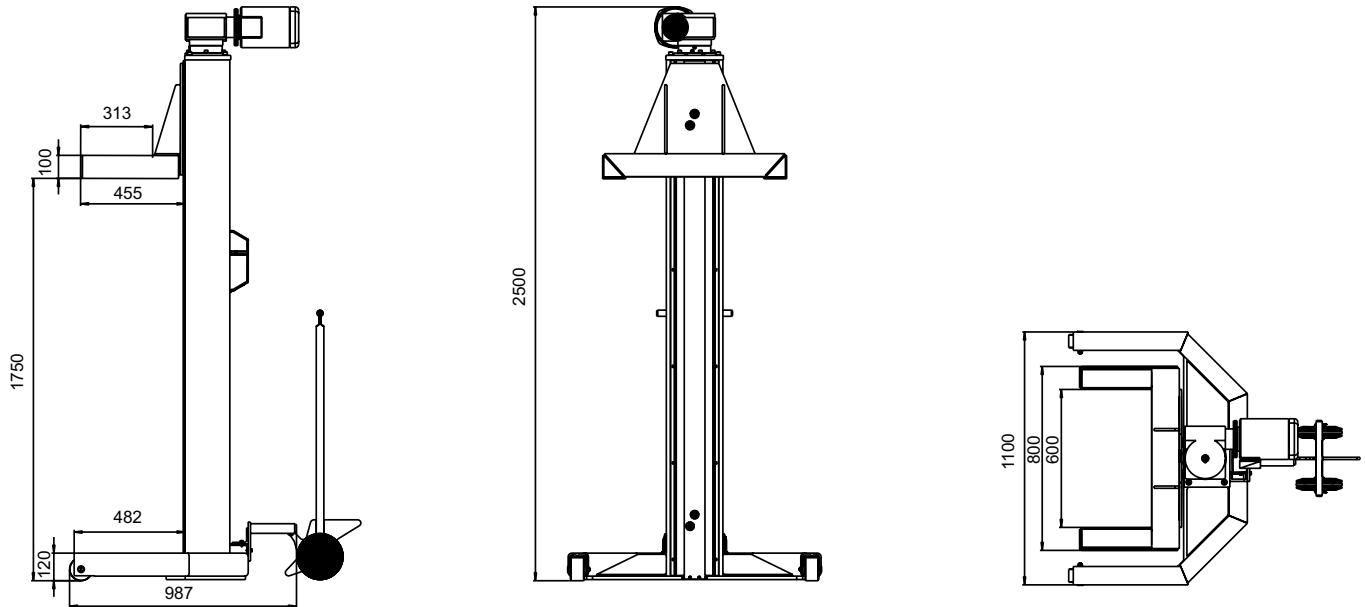


Quality control and certification  
according to DIN EN ISO 9001

Premium Workshop  
Equipment

### Standard Delivery:

- Four individual columns with a mechanical dolly
- Splash-water proof control box (IP 54)
- Shock-proof socket 230 V
- CE design certification
- 10 m connection cable
- Emergency off key
- Emergency lowering mechanism for manual lowering at power outage
- Powder paint coating RAL 5010



### Technical Data

Load capacity per column	5500 kg
Full travel	1750 mm
Lifting time	115 sec.
Supply voltage	3x 400 V / 50 Hz
Fuse per column	6 A
Motor power	3.0 kW
Tire size	8.25 to 12.00-20 / 12 R 22.5
Weight per column	ca. 350 kg

### Production Program:

Testing Technology for Cars, Trucks, Motorcycles, Tractors, Forklifts, Aircraft · Roller Brake Testers · Platform Brake Testers · Shock Absorber and Suspension Testers · Side-Slip Testers · Play Detectors · Roller Dynamometers for Performance and Function Testing · Speedometer Testers · Tachograph and Taximeter Testers · Axle and Wheel Load Scales · Scissors Lifts · Two- and Four-Post Lifts · In-Ground Lifts · Pit Jacks · Axle and Transmission Jacks · Mobile Column Lifts · Headlight Testers · Diesel Smoke Meters · Emission Testers for Petrol and Gas Engines · Sound Level Meters · Air Conditioning Service Equipment · Decelerometers · Closing Force Meters · Brake Fluid Testers · Complete Test Lanes for Cars and Trucks · Mobile Test Containers · Wheel Alignment Analysers · Wheel Balancers · Tyre Changers.

**Additional Services:** Workshop Design and Planning · Training Seminars for Users and Service Technicians



**MAHA Maschinenbau Haldenwang GmbH & Co. KG.**

Hoyen 20 · 87490 Haldenwang · Germany

Tel.: +49 (0)8374-585-0 · Fax: +49 (0)8374-585-497

Internet: www.maha.de · eMail: sales@maha.de

- ▶ MAHA USA · Charleston SC · USA
- ▶ MAHA U.K. Ltd. · Wisbech · Great Britain
- ▶ MAHA Ireland Ltd. · Dublin · Ireland
- ▶ MAHA Italy SRL · Parma · Italy
- ▶ MAHA España · Girona · Spain
- ▶ MAHA Polska · Gliwice · Poland
- ▶ MAHA Russia · St. Petersburg · Russian Fed.

- ▶ MAHA LITA Bj. · Vilnius · Lithuania
- ▶ MAHA China · Peking · China
- ▶ MAHA Japan · Kitakyushu · Japan
- ▶ MAHA Consulting s.r.o. · Prague · Czech Republic
- ▶ MAHA Nederland B.V. · Vianen · The Netherlands
- ▶ MAHA France Distrib. · Strasbourg · France
- ▶ MAHA South Africa · Northcliff · Republic of South Africa

