



# **ACCU 4602**

**ELECTRIC-AIR TIRE CHANGER FOR CAR,  
LIGHT TRUCK AND MOTORCYCLE WHEELS**

OPERATOR'S MANUAL  
SPARE PARTS EXPLODED DRAWINGS

6

5

4

3

2

1

06/2002

1157

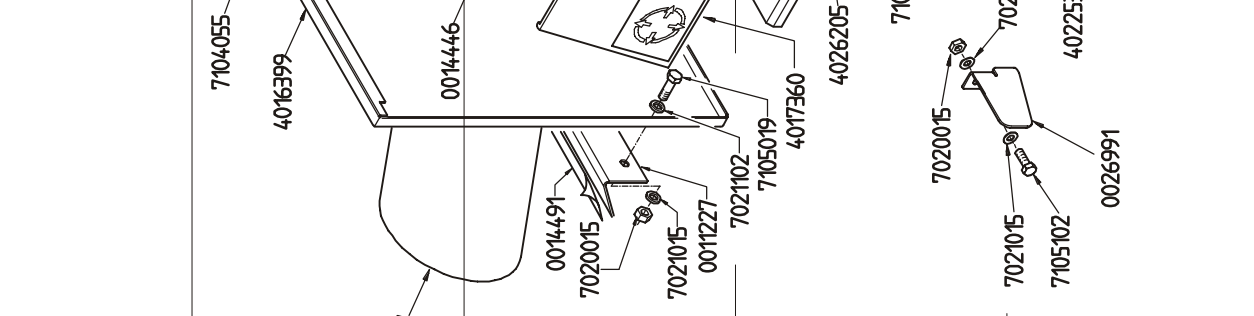
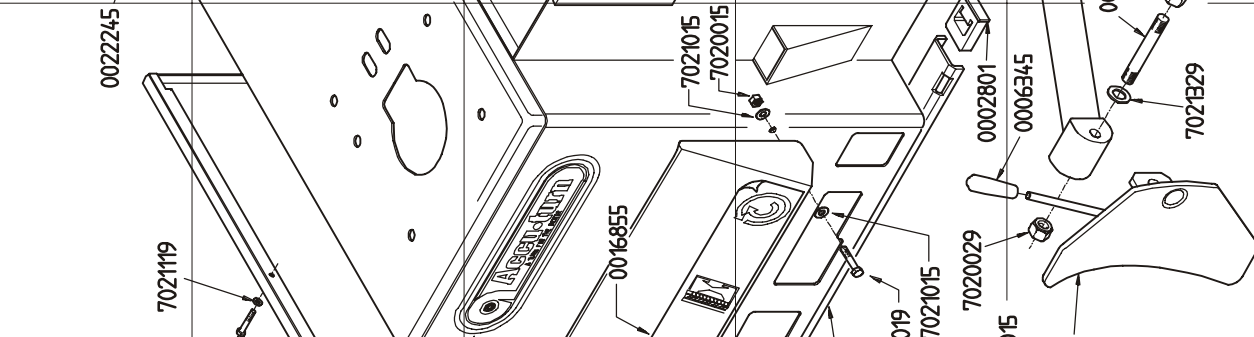
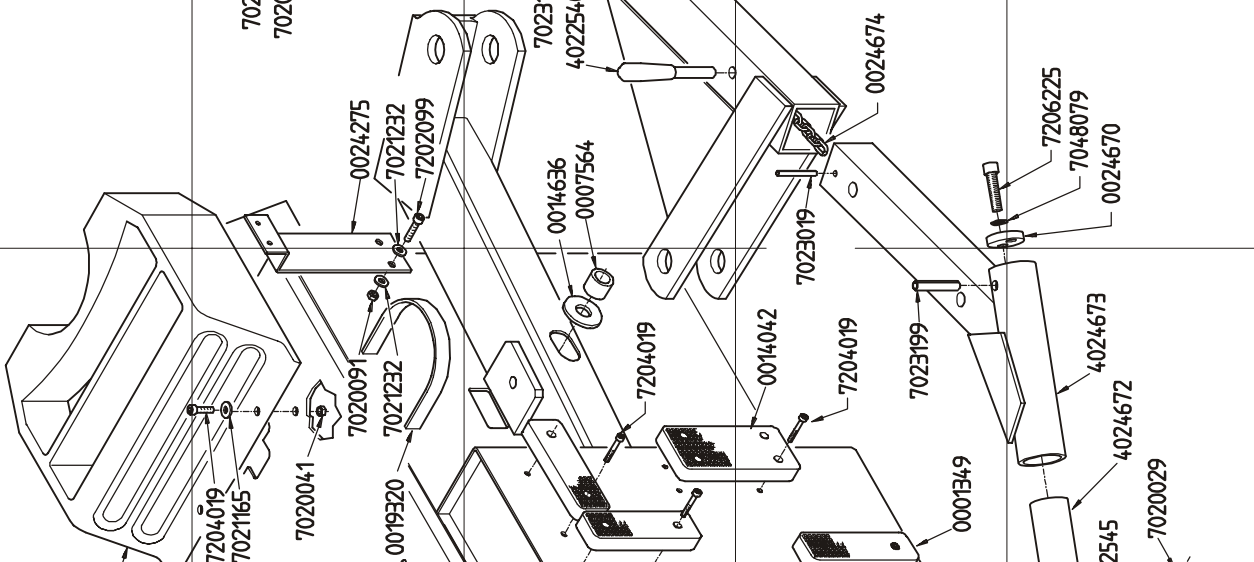
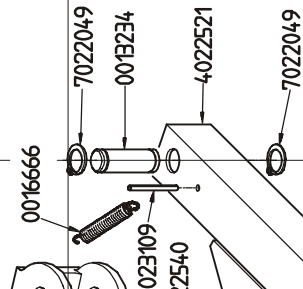
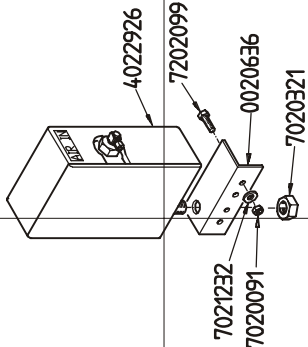
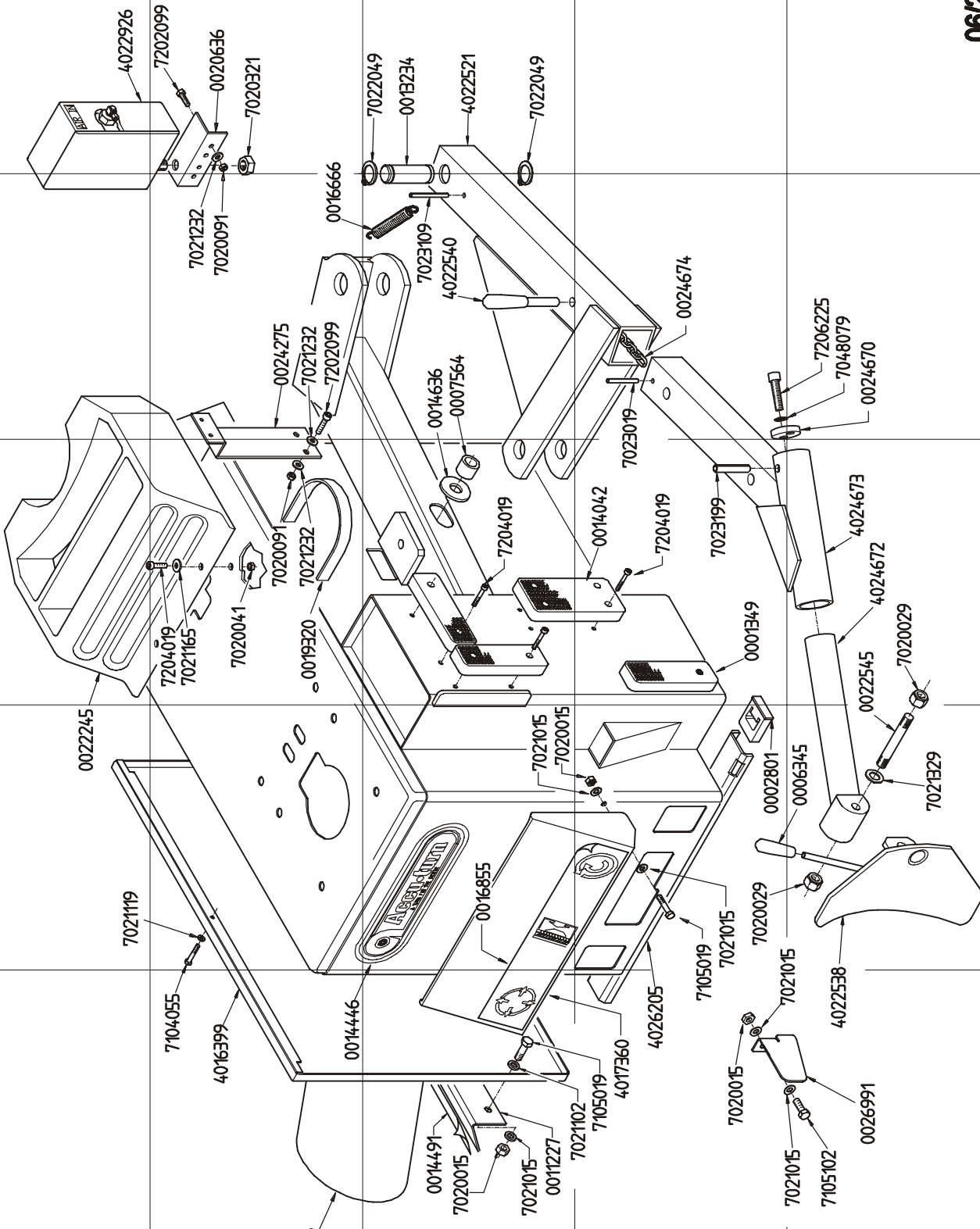
A

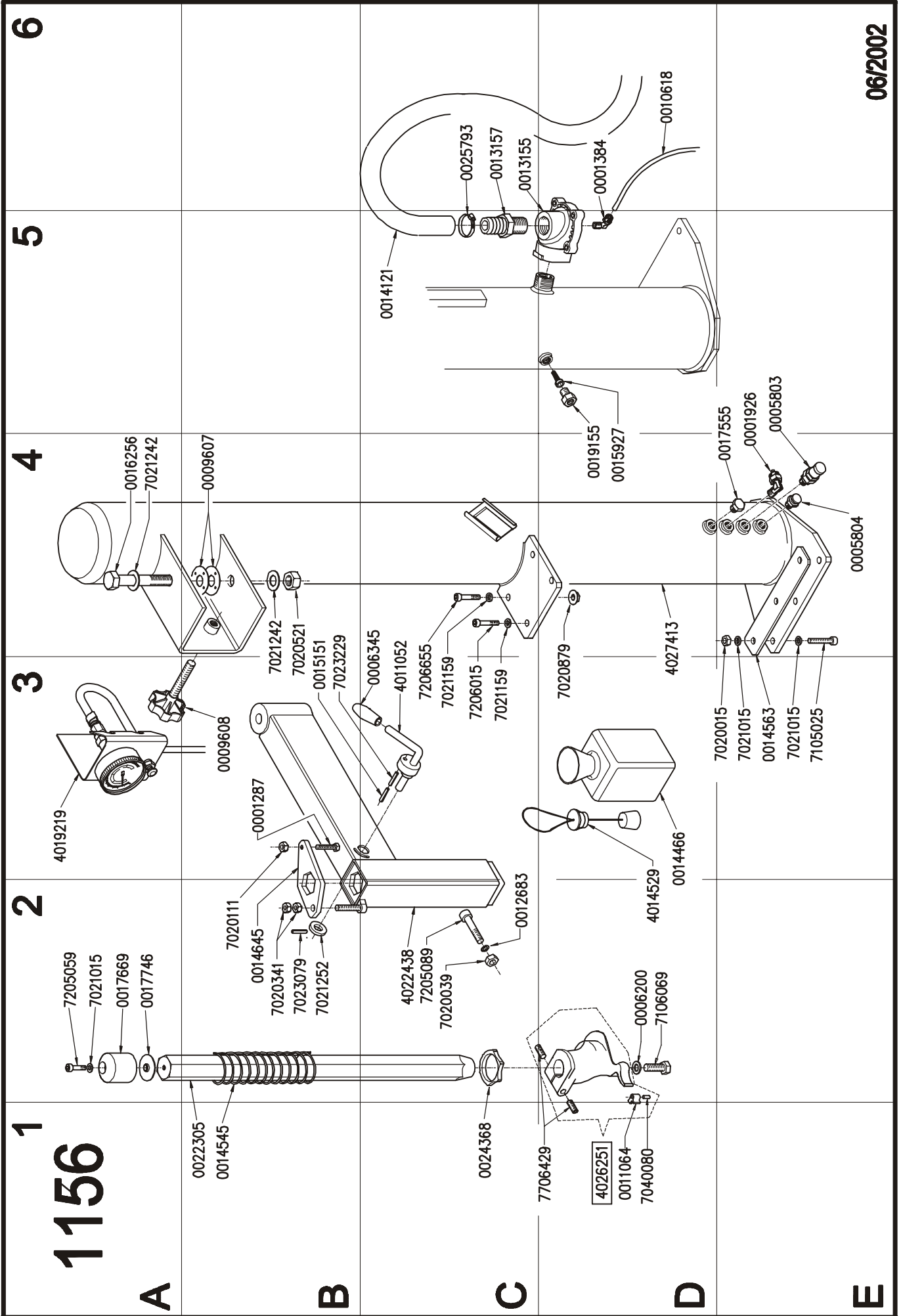
B

C

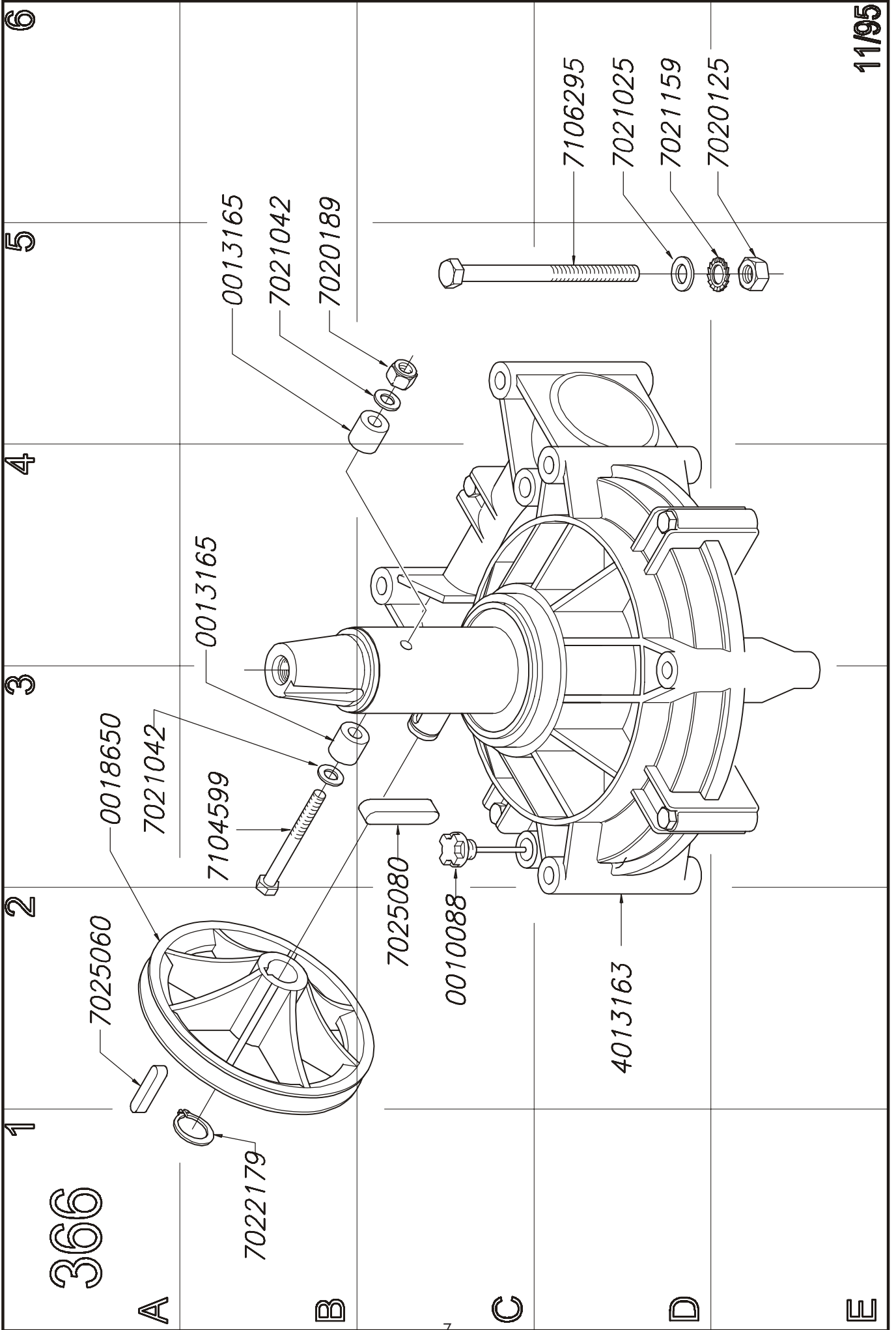
D

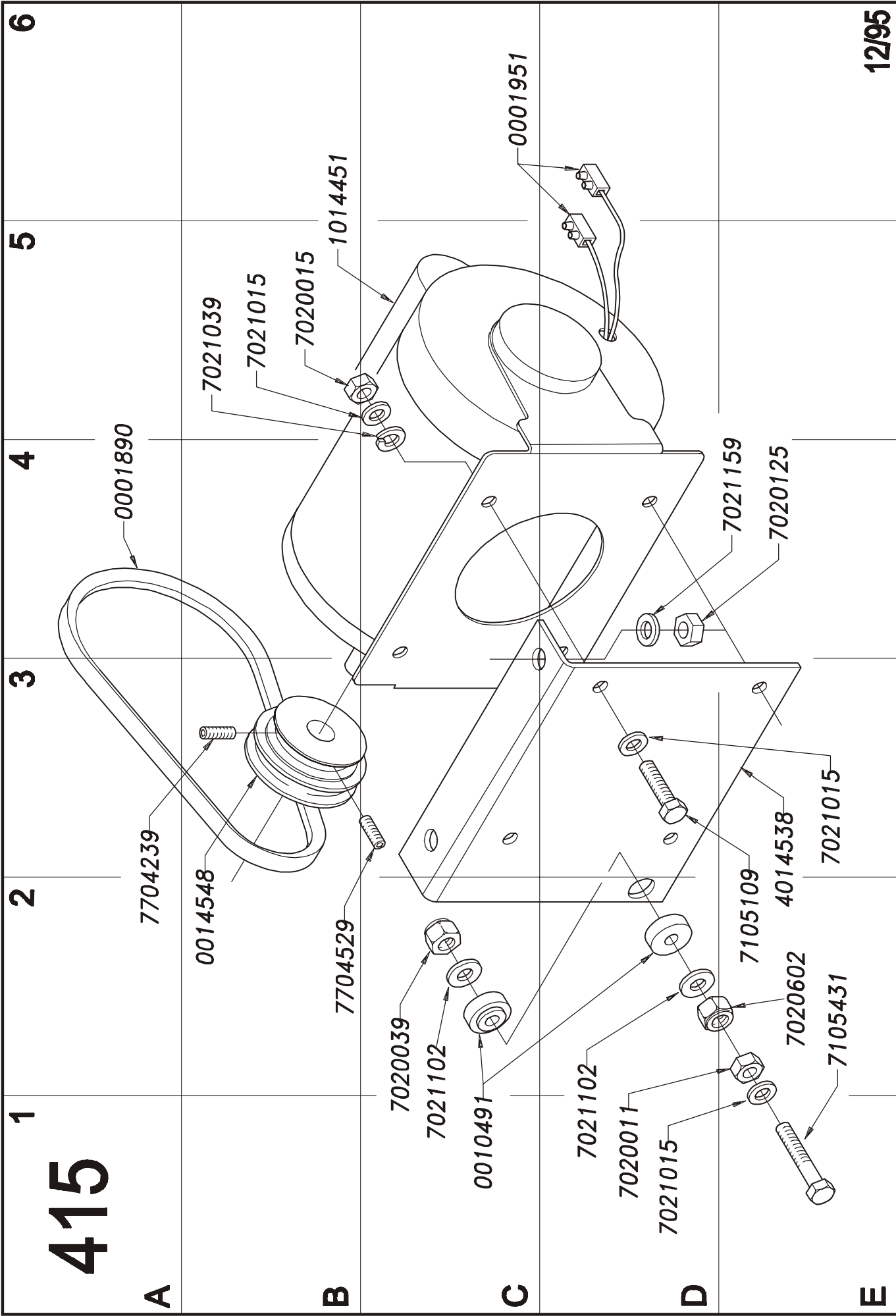
E









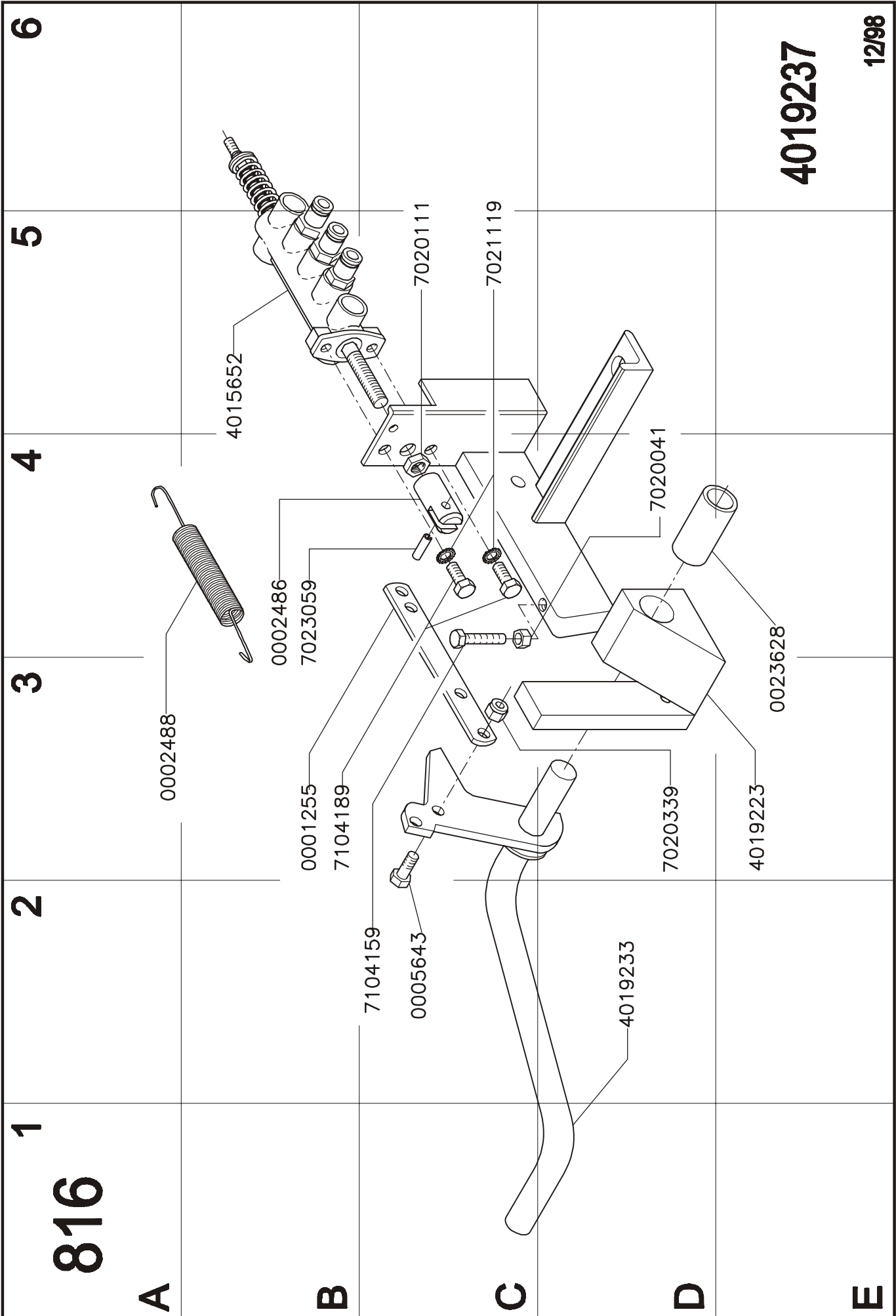


# 415









6

5

4

3

2

1

816

A

B

C

D

E

4019237

12/98

0002488

4015652

0002486

7023059

0001255

7104189

7104159

0005643

7020111

7021119

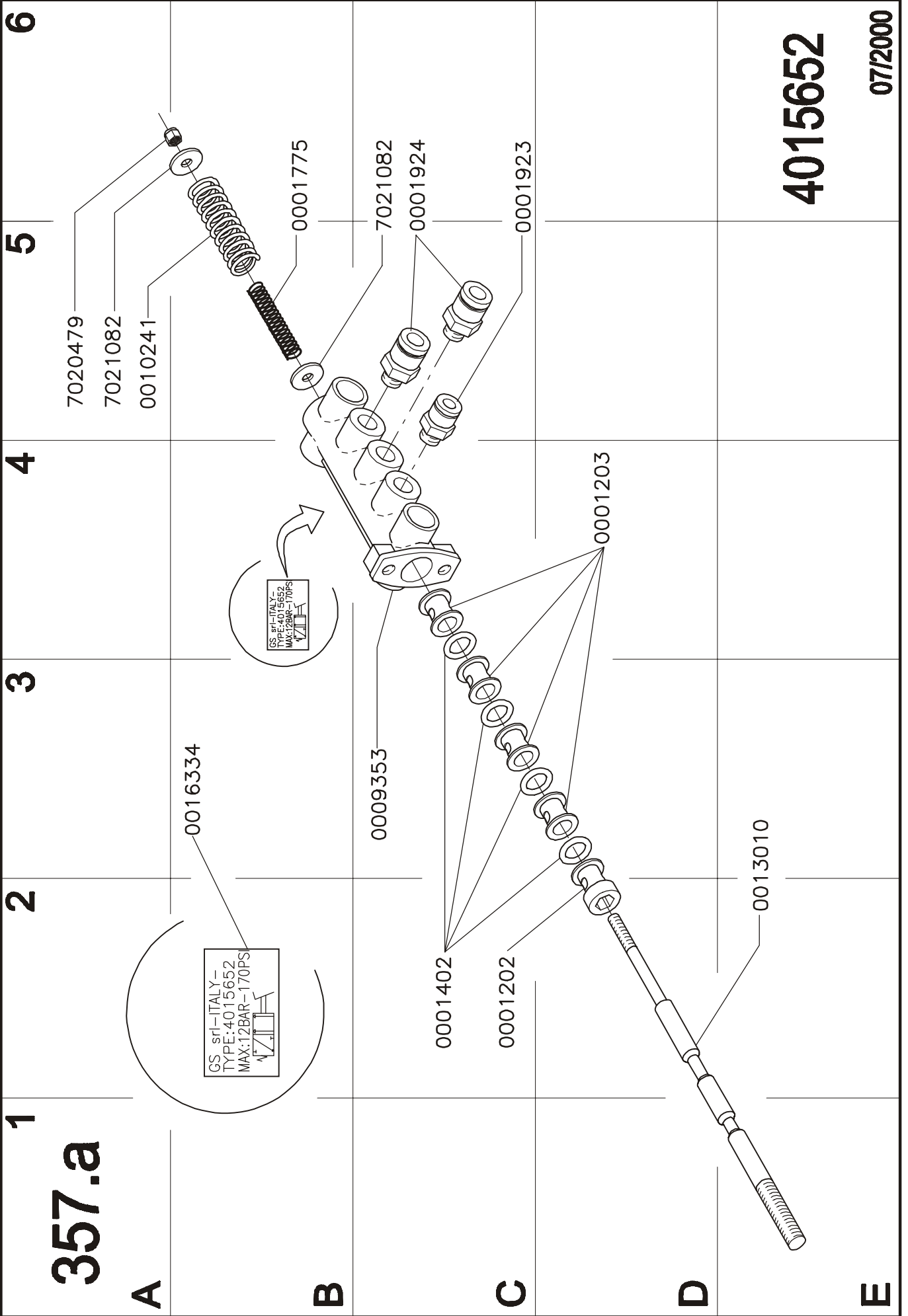
4019233

7020041

7020339

4019223

0023628



1155

A

B

C

D

E

F

1

2

3

4

5

0022173

0014514

0001432

4010686

4010687

0001436

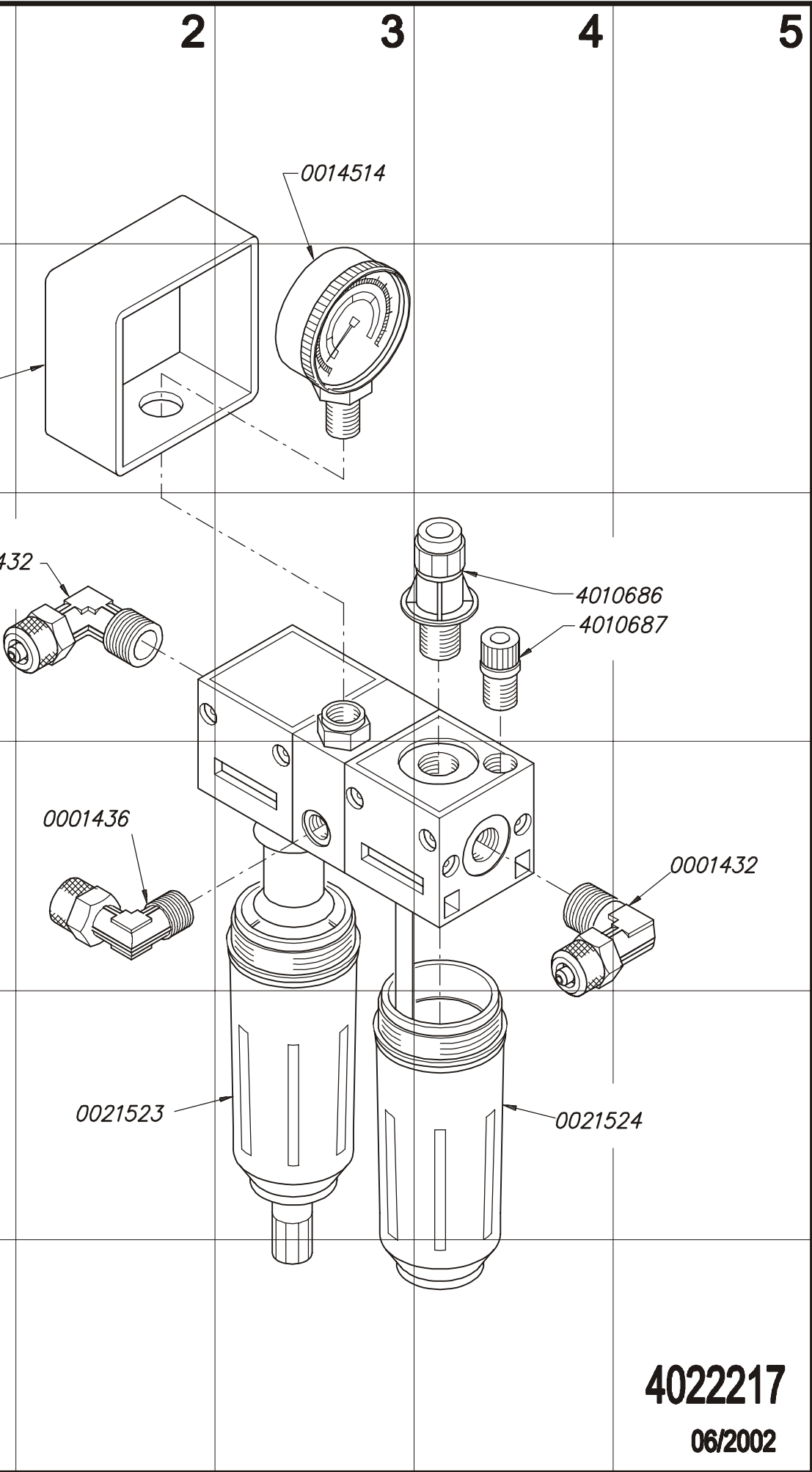
0001432

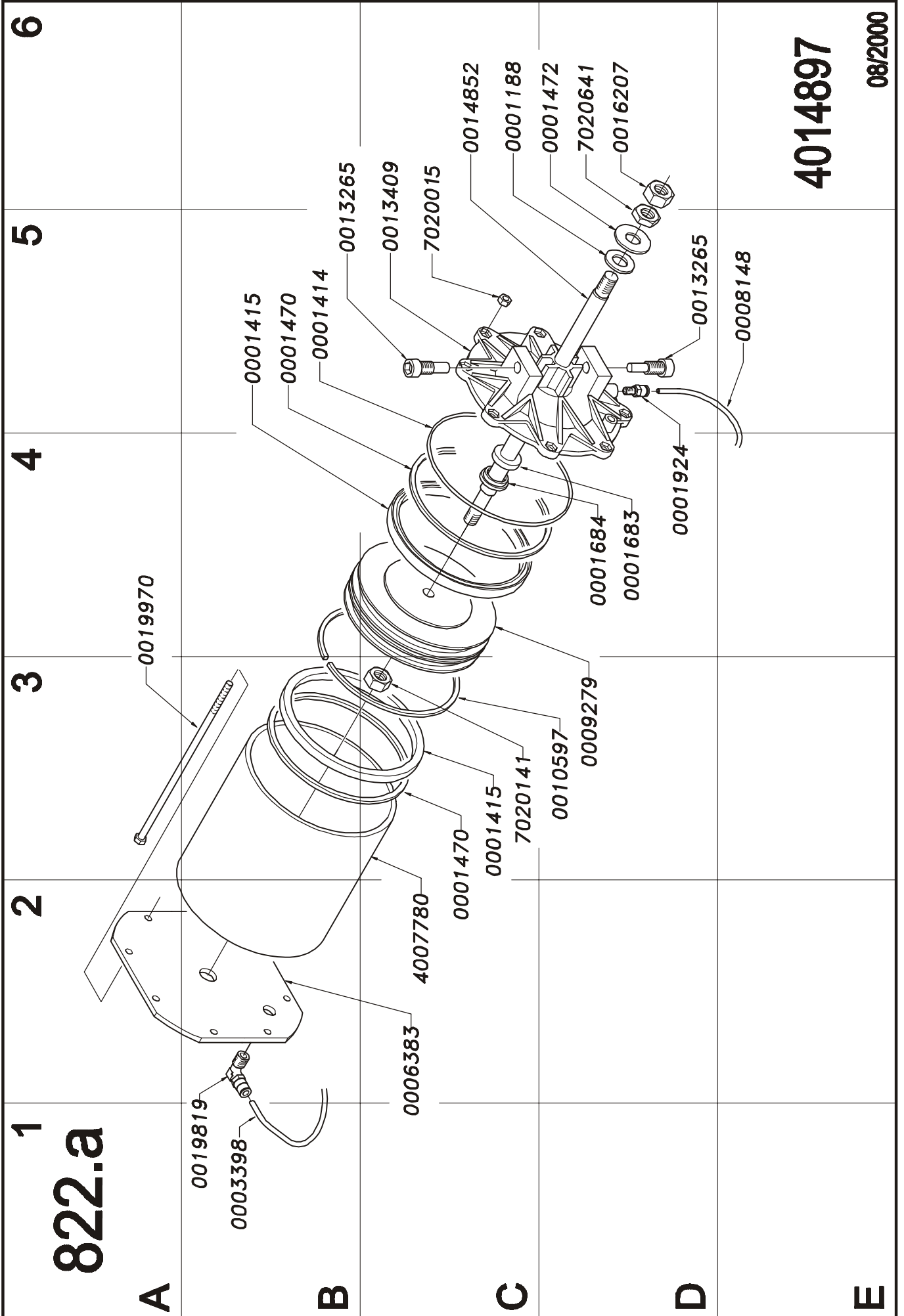
0021523

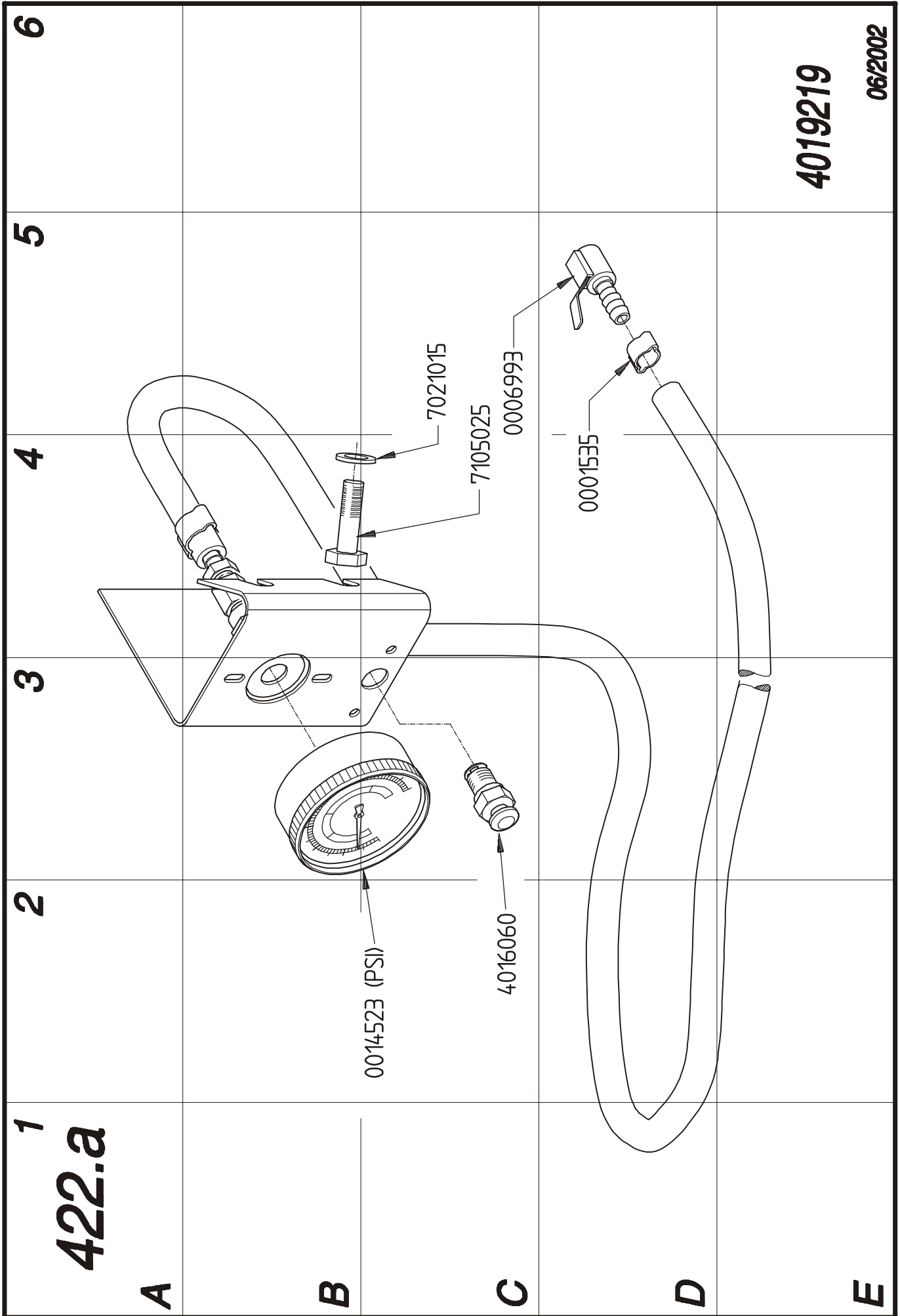
0021524

4022217

06/2002







4019219

06/2002



