

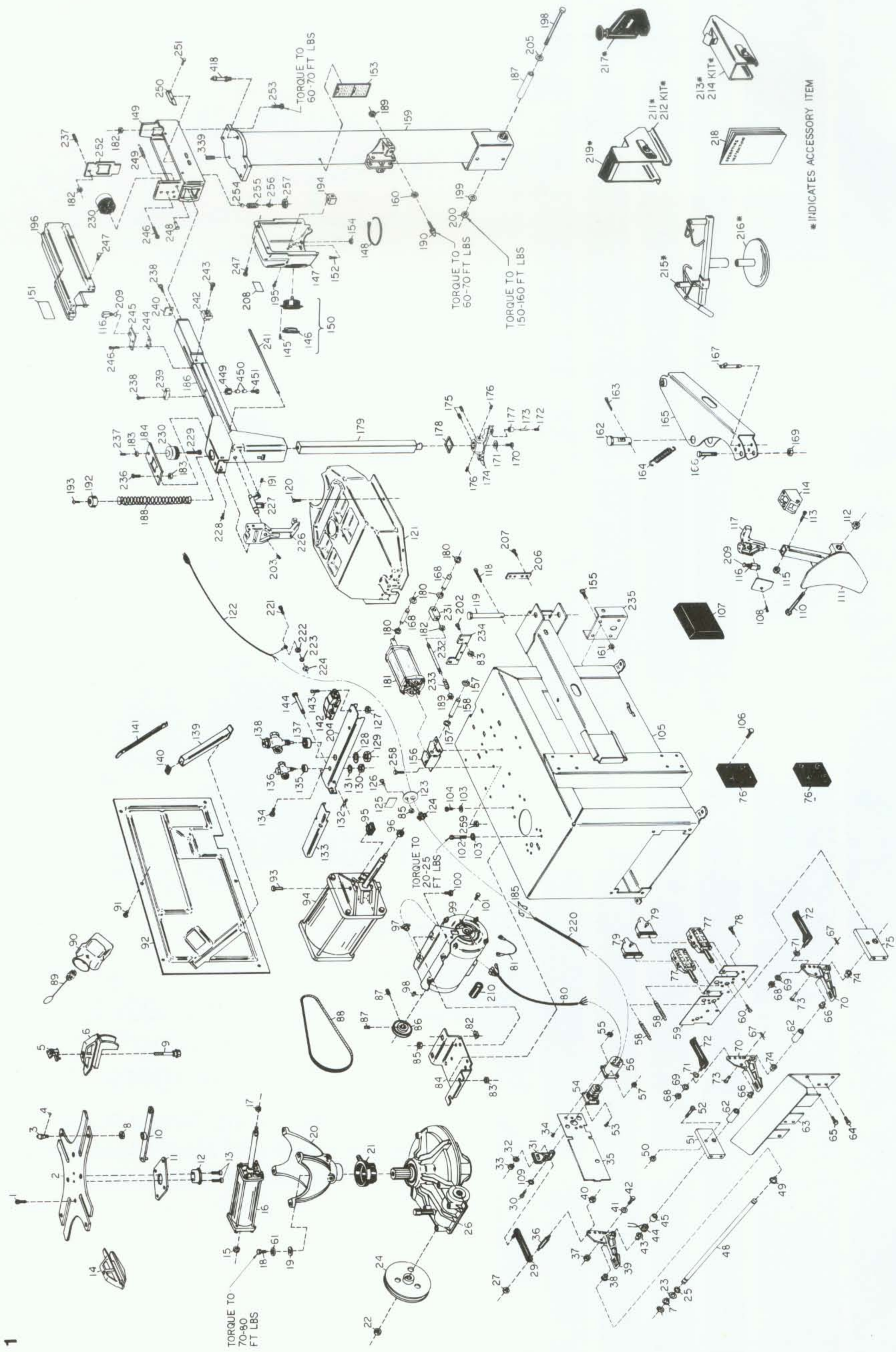
# COATS®

— PARTS LIST —

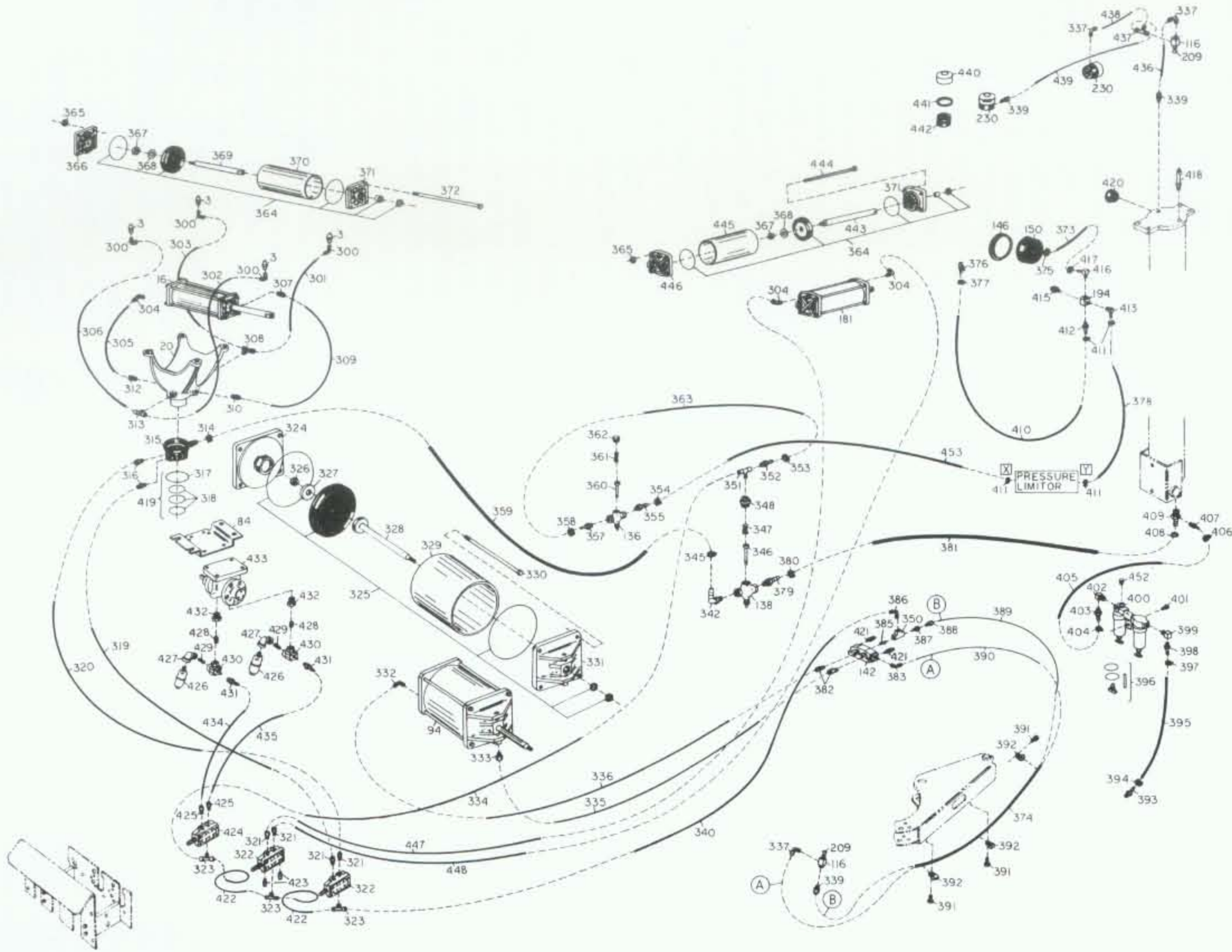


## 5070A and 5070E Rim-Clamp® Tire Changers

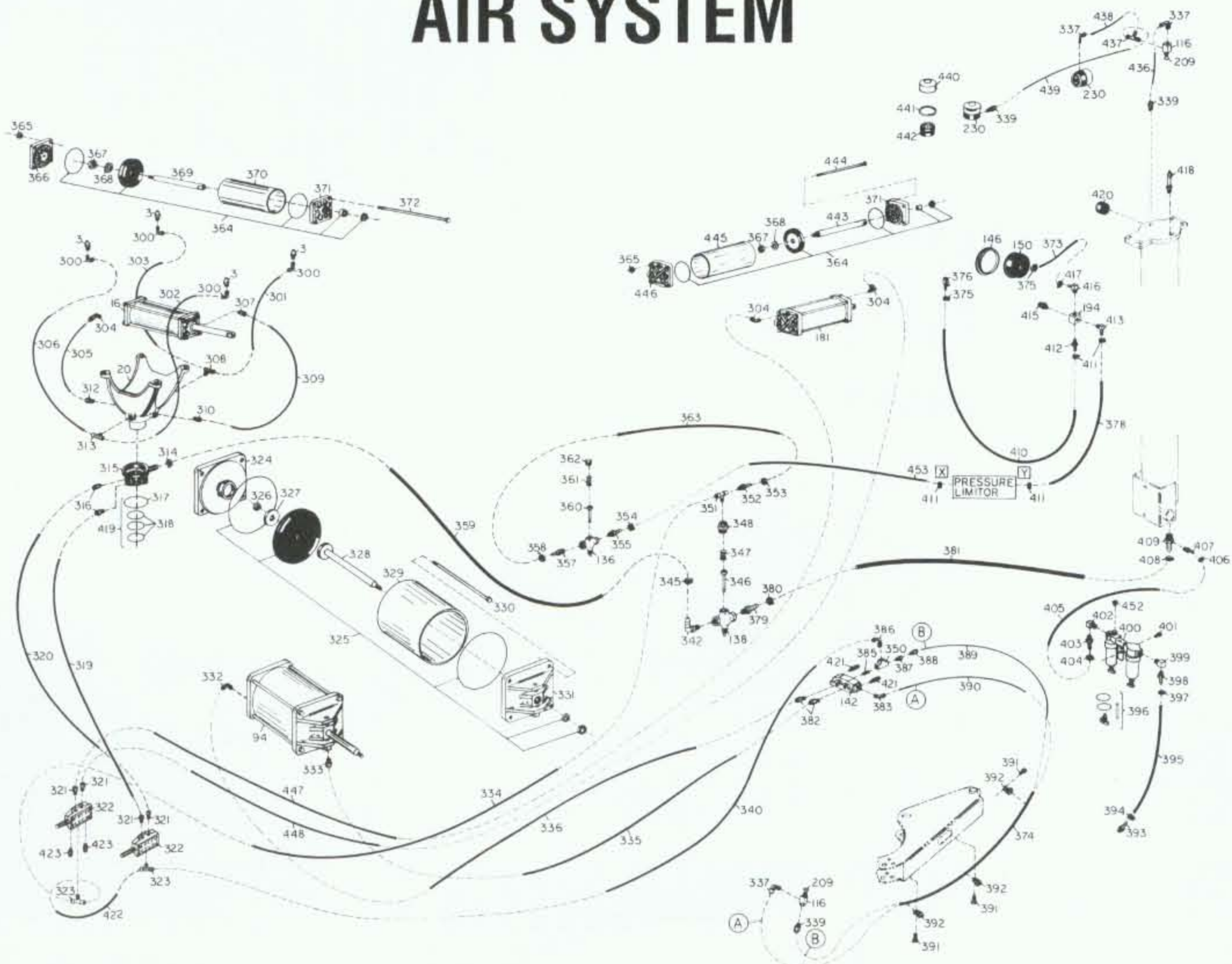
For Servicing Single Piece  
Automotive and Most Light Truck  
Tire/Wheel Assemblies



# ALL AIR RIM CLAMP TIRE CHANGER



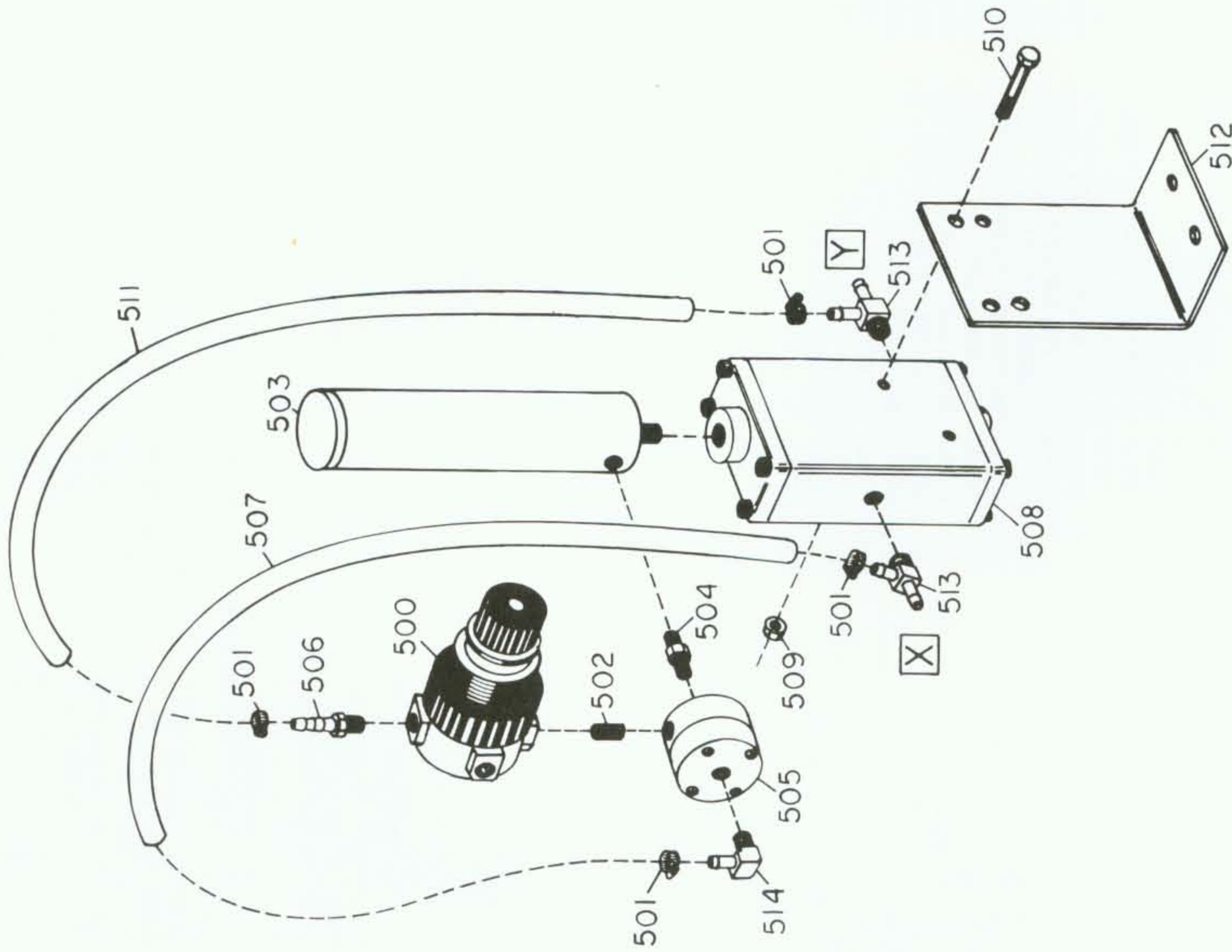
# ELECTRO/PNEUMATIC RIM CLAMP TIRE CHANGER AIR SYSTEM



REF. NO.	PART NUMBER	DESCRIPTION	REF. NO.	PART NUMBER	DESCRIPTION	REF. NO.	PART NUMBER	DESCRIPTION	REF. NO.	PART NUMBER	DESCRIPTION
1	181929	Socket Hd Cap Screw 3/8-16 x 1, GR.8	54	181958	Switch - Reversing	103	301032	3/8 Flat Washer, Zinc Plate	158	181692	Pivot Pin - Tilt Cylinder
2	181704	Table Top Plate	55	180246	10-24 Hex Kep Nut	104	107715	3/8-16 x 1 1/4 Hex Hd Cap Screw, GR.5	159	182127	Tower - Tilting (Red)
3	182024	Inflation Nozzle	56	181959	Cover - Switch	105	182041	Chassis - Red	160	181113	1/2-13 Jam Nut
4	182025	Ball, 1/4" - Steel	57	180246	10-24 Hex Kep Nut	106	182088	5/16 x 1 Torx Screw	161	120424	3/8"-16 Wash Hd. Lock Nut
5	181677	Rim Clamp	58	181708	Extension Spring, Pedal	107	181855	Center Pad - B.L.	162	181861	Pivot Pin, B.L. Cylinder Rod
6	181907	Clamp Carrier/Cover, Cylinder End.	59	181922	Bracket-Valve Mounting	108	182012	Lo-Torq Screw	163	182054	Cotter Pin 5/32 x 2 1/2
8	182083	3/4" Jam Nut N.F.	60	181989	10-24 x 3/8 Socket Head Cap Screw, GR.8	109	301072	#6 Internal Tooth Lk Washer	164	180230	B.L. Spring
9	181904	Bolt-Link, Table Top Clamp	61	104613	5/8 Ext. Lock Washer	110	182011	5/8-11 x 5" Hex Hd Cap Screw, GR.5	165	182002	B.L. Arm (Red)
10	181734	Pivot Link Assembly	62	181927	Spacer - Pedal	111	181953	B.L. Shoe, Handle & Pivot W/C	166	182009	3/4-10 x 3/4 Hex Hd Cap Screw, GR.5
11	181731	Pivot Plate	63	181975	Guard - Foot Pedal (Red)	112	182043	5/8-11 Nylon Insert Lock Nut	167	107665	Clevis Pin - 1/2" x 2.7"
12	182078	Pivot Block Assembly	64	181976	Socket Hd Cap Screw 5/16-18 x 1, GR.8	113	182013	10-24 X 1 1/2" Hex Hd Cap Screw, GR.5	168	181691	Pin - Tower Tilt Mechanism
13	181928	Socket Hd Cap Screw 5/16-18 x 1, GR.8	65	106300	3/8" Self Tap Screw GR.5	114	181951	Pivot Block - B.L. Shoe	169	182016	3/4 Nylon Insert Lock Nut
14	181906	Clamp Carrier/Cover	66	181948	Bearing - Nylon, 1/2"	115	180246	10-24 Hex Kep Nut	170	106302	3/8 Whiz-Lok Screw, GR.5
15	101039	1/2- 13 Hex Lock Nut	67	181978	Hair Pin Cotter	116	182046	Valve, 3-Way	171	182027	Washer 7 ga. x .406 ID x 1.28 OD
16	181634	Cylinder Assembly - Table Top	68	181369	1/4-20 Nylon Insert Lock Nut	117	181924	Housing/Cover - B.L. Handle	172	181914	1/4-20 x 3/16 Soc Hd Set Screw, GR.8
17	101039	1/2- 13 Hex Lock Nut	69	301141	1/4" Flat Washer, .31 ID x .75 OD x .06 Thk.	118	182053	5/32" x 1 1/2" Cotter Pin	173	181915	5mm x 20mm Dowel Pin
18	181742	16mm x 40mm Hex Head Bolt GR 10.9	70	181675	Pedal, Standard	119	182010	3/4" x 4" Clevis Pin	174	182026	Mount/Demount Head Assembly
19	181743	16mm Washer, Spider	71	181981	Wave Washer, 5/16" I.D.	120	106301	1/4 Self Tapping Screw H.H., GR.5	175	130026	3/8 x 1/2 Soc Hd Set Screw GR.8
20	181990	Spider Assembly	72	181696	Lever - Cam Follower	121	181964	Accessory Tray, Plastic	176	130026	3/8 x 1/2 Soc Hd Set Screw GR.8
21	182034	Rotary Coupling Assembly	73	181977	Clevis Pin 3/16" x 1 1/4"	122	181956	Power Cable Assembly	177	181916	Roller .562 Diameter x .515 LG.
22	182162	12mm Hex Nut	74	181948	Bearing - Nylon, 1/2"	123	181129	Bracket, Cable Connector	178	182031	Bumper - Rubber
23	108265	Washer 1/2"	75	181918	Bar - Valve Brkt. Spacer	124	150128	Cable Connector, 1/2"	179	181769	Shaft - Vertical Slide
24	181658	Pulley - Transmission	76	181851	B.L. Pad, Front	125	180237	Caution Decal	180	181979	1/2" Dia. Retaining Ring
25	301121	Washer 1/2"	77	181986	Valve, 4-Way w/Pull Pin	126	120325	5/16-18 X 1" Serr. Wash. Hd Screw, GR.5	181	181640	Cylinder Assy. - Tower Tilt
26	181669	Transmission w/Pulley	78	181976	GR.5	127	180246	10-24 Hex Kep Nut	182	181113	1/2"-13 Jam Nut
27	181369	1/4- 20 Nylon Insert Lock Nut	79	181695	Cam Mounting Block	128	104612	3/4" Ext. Tooth Lock Washer	183	181113	1/2"-13 Jam Nut
29	181699	Lever Assy-Switch	80	181511	Motor Cable Assembly	129	104610	3/4" N.F. Jam Nut	184	181777	Lock Plate - Vertical Slide
30	181982	3mm x 12mm Hex Hd Cap Screw GR.5	81	180560	Ground Jumper	130	104611	5/8" N.F. Jam Nut	185	143254	Wire Joint
31	181728	Lever - Switch Actuator	82	143044	Tinnerman Sq. Captive Nut 3/8-16	131	104613	5/8" Ext. Tooth Lock Washer	186	182123	Horizontal Slide (Red)
32	301141	1/4" Flat Washer .31 ID x .75 OD x .06 Thk.	83	106303	3/8" Whiz Lock Nut	132	107407	Hitch Pin Retainer	187	182125	Pivot Pin - Tower
33	181369	1/4-20 Nylon Insert Lock Nut	84	181931	Bracket - Motor Mounting	133	181933	Pedal-Inflation Valve	188	182028	Spring - Vertical Slide
34	181983	Button Hd. Soc. Cap Screw 10-24 x 5/8 GR.8	85	181183	5/16-18 Nylon Insert Lock Nut	134	106300	3/8" Self Tap Screw, GR.5	189	101039	1/2-13 Hex Lock Nut
35	181919	Bracket - Switch	86	180046	Pulley - Motor	135	104673	Bushing (1/4" Valve)	190	181688	Pin - Tower Locator
36	181701	Spacer - Switch Pedal Lever	87	180217	5/16-18 x 3/8" Soc Hd Set Screw, GR.5	136	104600	1/4" Valve Comp.	191	181719	10-32 X 3/16 Soc Hd. Set Screw, GR.8
37	181369	1/4-20 Nylon Insert Lock Nut	88	180047	V-Belt, Motor	137	104674	Bushing (3/4" Valve)	192	181771	Knob - Vertical Slide
38	181948	Bearing - Nylon, 1/2"	89	000491	Lube Applicator	138	106298	3/4" Valve Ported 1/4"-18 NPT	193	182029	5/16-18 x 1 1/2 Button Hd Soc. Cap Screw, GR.8
39	181675	Pedal, Standard	90	106259	Lube Bottle	139	182050	Lift Tool Holder W/C	194	181039	Inflation Manifold
40	181183	5/16-18 Nylon Insert Lock Nut	91	106301	1/4" H.H. Self Tap Screw, GR.5	140	181966	Lift Tool Pad	195	104596	10-24 Self Tap Screw, GR.2
41	181923	Stop Washer - Foot Pedal	92	181965	Side Panel - Plastic	141	181354	Bead Lifting Tool	196	181791	Cover - Horizontal Slide
42	181984	1/4- 20 x 1" Hex Hd Cap Screw GR.5	93	181949	Clevis Pin - 5/8 x 1 3/8	142	181995	4-Way Valve (Piloted)	197	106301	1/4-20 H.H. Self Tap Screw, GR.5
43	181948	Bearing - Nylon, 1/2"	94	182014	B.L. Cylinder Assembly	143	182001	10-24 x 3/4 Soc Hd Cap Screw, GR.5	198	182126	3/4-10 X 9" H.H. Cap Screw, GR.5
44	181707	Torsion Spring	95	181912	Clip, Clevis	144	180103	3/8 x 3 1/4 Clevis Pin	199	181182	3/4" Machine Bushing
45	181872	Sleeve - Torsion Spring	96	182016	Bowed E-Ring, 1/2"	145	107983	Plastic Fastener	200	182016	3/4-10 Nylon Insert Lock Nut
46	181980	Bowed E-Ring, 1/2"	97	150128	Cable Connector, 1/2"	146	107517	Gauge Lens, Screw On	202	107413	3/8-16 x 1 Serr. Wash. Screw, GR.5
47	181979	Retaining Ring 1/2"	98	180558	Key - Motor	147	182119	Gauge Housing	203	182171	Spring - Detent
48	181871	Pedal Shaft	99	181100	Motor, Electric	148	181553	Strap - Accessory Tray	204	181932	Inflation Bracket
49	181979	Retaining Ring 1/2"	100	120325	5/16-18 x 1 Serr. Wash. Hd. Screw, GR.5	149	182084	Horizontal Slide Support	205	181182	3/4" Machine Bushing
50	181369	1/4-20 Nylon Insert Lock Nut	101	120455	10-24 Self Tap Screw, GR.2	150	107985	Flanged Air Gauge w/Fasteners	206	182072	Strap, Filter-Lube Mounting
51	181918	Bar - Valve Brkt. Spacer	102	182040	10mm x 55mm Hex Hd Cap Screw, GR.8	151	109888	Inflation Warning Decal	207	106300	3/8" Self Tap Screw, GR.5
52	120321	1/4 x 1 1/4 Hex Hd Cap Screw, GR.5				152	120325	5/16 X 1" Serr. Wash. Hd Screw, GR.5	208	182059	Decal, Line Press Gauge
53	181983	Button Hd Soc Cap Screw 10-24 x 5/8, GR.8				153	180060	Decal, Warning	209	182047	Manual Push Button
						154	181183	5/16-18 Nylon Insert Lock Nut	210	180638	Motor Capacitor Only
						155	106302	3/8" Whiz Lock Screw, GR.5	211*	235208	Motorcycle Clamp (Tall)
						156	181694	Bracket - Tilt Cylinder	212*	181619	Motorcycle Clamp Kit (Tall)
						157	101001	3/4" Dia. Retaining Ring	213*	235740	ATV Clamp (Tall)

REF. NO.	PART NUMBER	DESCRIPTION	REF. NO.	PART NUMBER	DESCRIPTION	REF. NO.	PART NUMBER	DESCRIPTION	REF. NO.	PART NUMBER	DESCRIPTION
214*	181891	ATV Clamp Kit (Tall)	307	182035	Male St Fitting 1/8 NPT x 1/4 Tube	370	181627	Sleeve - Cylinder	426	181206	Muffler
215*	108028	Tire Spreader	308	181988	Male Branch Tee 1/4 NPT x 3/8 Tube	371	181620	Cap - Cylinder Top	427	181195	1/2 - 3/8 Reducing Ell
216*	181329	Spreader Base - Rim Clamp	309	182037	Nylon Tube 1/4 OD x 10' Lg	372	181633	Tie Bolt - Tabletop Cylinder	428	000580	1/4 NPT Close Nipple
217*	435685	Drop Center Aid	310	181987	Male St Fitting 1/4 NPT x 1/4 Tube	373	000481	Hose - 1/4" x 6' Lg	429	181207	3/8" NPT Close Nipple
218	182137	Operating Instructions - 5070	312	181987	Male St Fitting 1/4 NPT x 1/4 Tube	374	182008	Hose 3/8" x 50' Lg	430	181191	Valve, Quick Exhaust
219*	435203	Plastic Clamp Jaw	313	181988	Male Branch Tee 1/4 NPT x 3/8 Tube	375	101428	Hose Clamp - 1/4 I.D. Hose	431	181999	St. Male Fitting, 1/4 NPT x 3/8 Tube
220	182141	Cord - Entrance To Switch	314	101346	3/4" Hose Clamp	376	410419	Air Chuck	432	181203	1/2" - 1/4" Reducing Bushing
221	106301	1/4-20 Hex Wash Hd Screw, GR.5	315	181349	Rotary Coupling	377	105822	Hose Clamp - 9/16	433	181190	Airmotor, Gast, 6AM
222	150441	1/4" Star Lock Washer	316	182035	Male St Fitting 1/8 NPT x 1/4 Tube	378	182090	Hose 1/4" x 61" Lg	434	182005	Nylon Tube 3/8" x 20" Lg
223	301142	1/4" Split Ring Lock Washer	317	181713	O-Ring Seal, Large (2-244)	379	104573	Fitting Straight 3/4"	435	182005	Nylon Tube 3/8" x 20" Lg
224	107440	1/4-20 Hex Nut	318	181712	O-Ring Seal, Small (2-142)	380	101346	3/4" Hose Clamp	436	182154	Nylon Tube 1/8" x 10" Lg
226	181773	Handle - Horizontal Slide	319	182006	Nylon Tube 1/4" x 21" Lg	381	181993	Hose 3/4" x 15" Lg	437	182092	Male Run Tee - 1/8 NPT x 1/8 Tube
227	182091	Slide Lock Plunger	320	182006	Nylon Tube 1/4" x 21" Lg	382	181999	Male St Fitting 1/4 NPT x 3/8 Tube	438	182155	Nylon Tube 1/8" x 14 1/2" Lg
228	182150	5/16-18 X 1/2 Button Hd. Soc Cap Screw, GR8	321	181987	Male St. Fitting 1/4 NPT x 1/4 Tube	383	181997	Male Elbow, 1/8 NPT x 1/8 Tube	439	182156	Nylon Tube 1/8" x 21" Lg
229	182120	1/2-20 X 2 1/2 Soc Hd. Cap Screw, GR8	322	181986	Valve, 4-Way w/Pull Pin	385	000580	1/4 NPT Close Nipple	440	181780	Cap - Slide Lock Cylinder
230	182096	Cylinder Assy - Slide Lock	323	181988	Male Branch Tee 1/4 NPT x 3/8 Tube	386	181998	Male Elbow, 1/4 NPT x 3/8 Tube	441	181785	Seal - Slide Lock Cylinder
231	181693	Clevis - Tilt Cylinder Stop	324	181570	Bottom Cap, B.L. Cylinder	387	109481	Bushing, 1/4 - 1/8, Brass	442	181781	Base - Slide Lock Cylinder
232	181690	Rod - Tower Stop	325	182079	Seal Kit, B.L. Cylinder	388	181996	Male St Fitting, 1/8 NPT x 1/8 Tube	443	181639	Shaft - Tower Tilt Cylinder
233	182153	Spring - Tower Bumper	326	100957	3/4" NC Locknut	389	182007	Nylon Tube 1/8 X 60" Lg	444	181641	Tie Bolt - Tower Tilt Cylinder
234	181689	Bar - Tower Pin Locator	327	181860	Washer - Lower, B.L. Cylinder	390	182007	Nylon Tube 1/8 X 60" Lg	445	181638	Sleeve - Tower Tilt Cylinder
235	182131	Pivot Channel (Red)	328	182061	Shaft/Washer Assembly	391	143844	1/4-20 H.H. Self Tapping Screw, GR.5	446	181636	Cap - Tilt Cylinder Base
236	182116	1/2-13 X 2 Button Hd. Soc Cap Screw, GR8	329	181574	Barrel, B.L. Cylinder	392	182044	Clamp, Hose	447	182159	Nylon Tube 1/4" x 48" Lg
237	182148	1/2-13 X 1 1/2 Soc Hd. Cap Screw, GR8	330	181862	Tie Bolt, 1/2-13 x 10 1/4" Lg, GR.5	393	101898	3/8" Hose Fitting	448	182159	Nylon Tube 1/4" x 48" Lg
238	182149	5/16-18 X 3/4 Soc Hd. Cap Screw, GR8	331	181572	Top Cap, B.L. Cylinder	394	101427	Hose Clamp - 3/8 I.D. Hose	449	309008	Bumper-Horizontal Slide
239	182117	Front Stop Block	332	181998	Male Elbow 1/4 NPT x 3/8 Tube	395	181147	Hose 1/8 x 17 1/4" Lg	450	107738	Spacer Bushing
240	182118	Rear Stop Plate	333	181999	Male St Fitting 1/4 NPT x 3/8 Tube	396	182081	Repair Kit, Filter - Lubricator	451	108517	3/8-16 1-1/2 H.H.C.S., GR. 5
241	182099	Actuator Rod - Slide Lock	334	182004	Nylon Tube 3/8" x 30" Lg	397	101427	Hose Clamp - 3/8 I.D. Hose	452	110495	Adjustment Knob - Filter
242	182095	Cam - Slide Lock	335	182003	Nylon Tube 3/8" x 18.75" Lg	398	101898	3/8" Hose Fitting	453	103649	1/4" Hose x 12" LG.
243	182115	1/4 X 5/8 Soc Hd. Shoulder Screw	336	182003	Nylon Tube 3/8" x 18.75" Lg	399	000372	1/4" x 90 Deg Street Ell			
244	182098	Spacer - Valve Mounting Plate	337	181997	Male Elbow 1/8 NPT x 1/8 Tube	400	181962	Filter-Lubricator			
245	182097	Mounting Plate - Valve	339	181996	Male St Fitting 1/8 NPT x 1/8 Tube	401	106300	3/8" Self Tap Screw, GR.5			
246	140665	1/2-20 X 3/4 Soc Hd. Cap Screw, GR8	340	182005	Nylon Tube 3/8" x 20" Lg	402	000372	1/4" x 90 Deg Street Ell			
247	182151	10-24 X 1/2 Button Hd. Soc Hd. Cap Screw, GR8	342	107924	3/4" Elbow	403	101898	3/8" Hose Fitting			
248	182152	Clevis Pin - 1/4 X 5/8	345	101346	3/4" Hose Clamp	404	101427	Hose Clamp - 3/8 I.D. Hose			
249	181793	Spring - Horizontal Lock Plate	346	104652	Poppet, 3/4" Valve	405	181147	Hose 3/8" x 17 1/4" Lg			
250	182094	Wedge - Horizontal Lock	347	104651	Spring, 3/4" Valve	406	101427	Hose Clamp - 3/8 I.D. Hose			
251	143168	1/4-20 X 3/4 Sert. Wash. Hd. Screw, GR5	348	106350	End Cap, 3/4" Valve	407	101898	3/8" Hose Fitting			
252	181779	Lock Plate - Horizontal Slide	350	000643	1/4" Brass Tee	408	101346	3/4" Hose Clamp			
253	181740	1/2-13 X 1 3/4 Soc Hd. Cap Screw, GR8	351	182071	Fitting, Special Male Branch Tee	409	182020	Fitting St - 3/4" NPT Hose x 1/4" NPT Branch			
254	181792	Ball - 3/4" Dia.	352	000378	1/4" Brass St Fitting	410	181121	Hose 1/4" x 48" Lg			
255	181794	Ball Carrier - Horizontal Slide	353	101428	Hose Clamp - 1/4 I.D. Hose	411	101428	Hose Clamp - 1/4 I.D. Hose			
256	182147	Grease Fitting - 1/8 PTF Str.	354	101428	Hose Clamp - 1/4 I.D. Hose	412	000378	1/4" Brass St Fitting			
257	181048	1"-14 Jam Nut	355	000378	1/4" Brass St Fitting	413	000376	1/4" X 90 Deg Brass Fitting			
258	190191	5/16-18 X 2 Hex Hd. Cap Screw, GR5	357	000378	1/4" Brass St Fitting	415	103737	Release Valve			
259	000525	5/16-18 Hex Lock Nut, GR5	358	101428	Hose Clamp - 1/4 I.D. Hose	416	000376	1/4" X 90 Deg. Brass Fitting			
300	181998	Male Elbow 1/4 NPT x 3/8 Tube	359	181954	Hose 3/4" x 31" Lg - Black	417	101428	Hose Clamp - 1/4 I.D. Hose			
301	182036	Nylon Tube 3/8 OD x 12.75" Lg	360	104649	Poppet, 1/4" Valve	418	104968	Safety Valve			
302	182036	Nylon Tube 3/8 OD x 12.75" Lg	361	102468	Poppet Spring, 1/4" Valve	419	182164	Seal Kit - Rotary Coupling			
303	182036	Nylon Tube 3/8 OD x 12.75" Lg	362	105671	End Cap, 1/4" Valve	420	108968	Air Gauge			
304	182023	Male Elbow 1/8 NPT x 1/4 Tube	363	102048	Hose 1/4" x 15'	421	104209	Muffler			
305	182038	Nylon Tube 1/4 OD x 12.50" Lg	364	182080	Seal Kit, T.T. Cylinder	422	182004	Nylon Tube 3/8 x 30" Lg			
306	182036	Nylon Tube 3/8 OD x 12.75" Lg	365	181183	5/16-18 Nylon Insert Lock Nut	423	182049	Muffler/Flow Control			
			366	181622	Cap - Cylinder Bottom	424	181986	Valve, 4-Way W/Pull Pin			
			367	181113	1/2-13 Jam Nut	425	181999	St Male Fitting 1/4 NPT x 3/8 Tube			
			368	182062	Washer 1 3/8 OD x 1/2 ID x .062						
			369	181629	Shaft - Tabletop Cyl.						

# PRESSURE LIMITER



REF. NO.	PART NUMBER	DESCRIPTION
500	181392	Regulator .....
501	101428	1/4" Hose Clamp .....
502	109472	1/8" Inline Filter .....
503	110496	Volume Chamber .....
504	109471	1/8" Close Nipple .....
505	109468	Pressure Repeater .....
506	104844	1/8" Straight Fitting .....
507	103649	1/4" Hose x 12" L.G. ....
508	109466	Valve .....
509	143169	1/4" - 20 Whiz Lock Nut .....
510	120408	1/4" - 20 x 1 3/4" H.C.S. ....
511	103649	1/4" Hose x 12" L.G. ....
512	110532	Bracket Inflation Limiter .....
513	110325	1/4" NPT Male Run Tee .....
514	110497	Fitting - 90° Male Elbow .....

When ordering parts always give the following information:  
 (1) Part Number (2) Description (3) Serial Number of Your Machine

# ELECTRICAL DIAGRAMS

REVIEW MODEL FOR PROPER DIAGRAM BEFORE REPAIR OR ORDERING PARTS

