

# COATS®

## 7665 AX/EX

# Rim Clamp® Tire Changer

For servicing single piece automotive and most light truck tire/wheel assemblies



## *Parts Identification*

READ these instructions before placing unit in service KEEP these and other materials delivered with the unit in a binder near the machine for ease of reference by supervisors and operators.

**HENNESSY INDUSTRIES, INC.**

HENNESSY INDUSTRIES INC. Manufacturer of AMMCO®, COATS® and BADA® Automotive Service Equipment and Tools.

Manual Part No.: 8183746 02  
Revision: 04/01

# Parts Identification

| Ref | Part No. | Description                               | Ref | Part No. | Description                            |
|-----|----------|---|-----|----------|--|
| 1   | 8181929  | Skt. Hd. Cap Scr., 3/8-16 x 1", Gr.8      | 63  | 8182332  | Guard-Foot Pedal                       |
| 2   | 8181704  | Table Top Plate                           | 64  | 8106301  | 1/4" Hex Hd Self Tap Screw, Gr.5       |
| 3   | 8182024  | Ø1/4" Steel Ball                          | 65  | 8102459  | 3/8" Self Tap Screw Gr.5               |
| 4   | 8182025  | Inflation Nozzle                          | 66  | 8182327  | Pedal Spacer                           |
| 5   | 8182247  | Adjustable Rim Clamp                      | 67  | 8120469  | Hair Pin Cotter                        |
| 6   | 8182248  | Carrier/Cover, Cylinder End, Adj.         | 69  | 8107635  | 5/16" Flat Washer                      |
| 7   | 8183476  | Roll Pin - Ø1/4" x 3/4"                   | 71  | 8181981  | Wave Washer, 5/16" I.D.                |
| 8   | 8182033  | 3/4" Jam Nut                              | 72  | 8181696  | Lever-Cam Follower                     |
| 9   | 8182279  | Table Top Clamp Link Bolt                 | 73  | 8181977  | Clevis Pin 3/16" x 1-1/2"              |
| 10  | 8181734  | Pivot Link W/C                            | 76  | 8181851  | B.L. Pad, Front                        |
| 11  | 8181731  | Pivot Plate - Table Top                   | 77  | 8181986  | Valve, 4-Way w/Pull Pin                |
| 12  | 8181733  | Pivot Block                               | 78  | 8106301  | 1/4" Hex Hd Self Tap Screw, Gr.5       |
| 13  | 8183452  | Flange Whiz-lock Scr., 5/16-18 x 5/8"     | 79  | 8181695  | Cam Mounting Block                     |
| 14  | 8182249  | Carrier/Cover - Clamp Adj.                | 80  | 8181511  | Motor Cable Assembly                   |
| 15  | 8101039  | Nut - Lock, 1/2", Gr.5                    | 81  | 8180560  | Ground Jumper                          |
| 16  | 8182613  | Cylinder Assembly-Table Top               | 82  | 8143044  | Tinnerman Sq. Captive Nut 3/8-16       |
| 18  | 8181742  | 16MM x 40mm Hex Head Bolt Gr.10.9         | 83  | 8106303  | 3/8" Whiz Lock Nut, Gr.5               |
| 19  | 8182979  | Washer - Molded, Ø16mm                    | 84  | 8181931  | Bracket, Motor Mounting                |
| 20  | 8181990  | Spider Assembly                           | 85  | 8181183  | 5/16-18 Nylon Insert Lock Nut, Gr.5    |
| 21  | 8182619  | Rotary Coupling Assembly                  | 86  | 8180046  | Pulley-Motor                           |
| 22  | 8182162  | Nut - Hex, 12MM, Gr.8.8                   | 87  | 8180217  | 5/16-18 x 3/8" Soc.Hd.Set Screw, Gr.5  |
| 23  | 8182670  | Spring Stop Bracket                       | 88  | 8180047  | V-Belt, Motor                          |
| 24  | 8181658  | Pulley-Transmission                       | 89  | 8000491  | Lube Applicator                        |
| 26  | 8182964  | Kit-Transmission                          | 90  | 8106259  | Lube Bottle                            |
| 27  | 8181984  | Hx.Hd.Cp.Scr., 1/4-20 x 1", Gr.5          | 91  | 8106301  | 1/4" Hex Hd Self Tap Screw, Gr.5       |
| 28  | 8183156  | Washer - Ø2" X Ø2 3/4" x .010             | 92  | 8182807  | Side Panel (Metal)                     |
| 29  | 8181699  | Lever Assembly - Switch                   | 93  | 8181949  | Clevis Pin-5/8 x 1-3/8                 |
| 30  | 8181982  | Hx.Hd.Cp.Scr., 3MM x 12mm, Gr.5           | 94  | 8183312  | B.L. Cylinder Assembly                 |
| 31  | 8181728  | Lever - Switch Actuator                   | 95  | 8181912  | Clip, Clevis                           |
| 32  | 8000745  | Washer - Flat, Ø1/4"                      | 96  | 8182016  | 3/4"-10 Gr.5 Nylon Insert Lock Nut     |
| 33  | 8181369  | Nut - Lock, Nyl. Ins., 1/4-20, Gr.5       | 97  | 8183778  | Decal - Lubrication Notice             |
| 34  | 8100994  | Washer, 2" x .81 x .156                   | 98  | 8180558  | Key-Motor                              |
| 35  | 8100994  | Washer, 2" x .81 x .156                   | 99  | 8182294  | Motor, Electric 115V                   |
| 36  | 8182363  | Spacer - Sw Pedal Lever-Red               |     | 8182621  | Motor, Electric 220V, 50Hz, 1Ø         |
| 37  | 8181923  | Washer - Stop                             | 100 | 8120325  | 5/16-18 x 1 Ser. Wash.Hd.Scr., Gr.5    |
| 38  | 8181948  | Bearing-Nyliner, 1/2"                     | 101 | 8120455  | 10-24 Self Tap Screw, Gr.2             |
| 39  | 8181675  | Pedal, Standard                           | 102 | 8182040  | 10MM x 55MM Hex Hd.Cap Scr, Gr.5       |
| 40  | 8190134  | 1/4-20 x 3/4 Hex Hd Cap Screw Gr.5        | 103 | 8301032  | 3/8 Flat Washer, Zinc Plate            |
| 44  | 8181707  | Torsion Spring                            | 104 | 8107715  | 3/8-16 x 1-1/4 Hex Hd. Cap Scr, Gr.8.8 |
| 45  | 8181872  | Sleeve-Torsion Spring                     | 105 | 8182041  | Chassis                                |
| 46  | 8183703  | 3/4-10 x 10 1/2 Hex Hd Cap Scr, Gr 5      | 106 | 8182088  | 5/16 x 1 Torx Screw, Gr.5              |
| 47  | 8111609  | Cotter, Hair Pin                          | 107 | 8181855  | Center pad-B.L.                        |
| 48  | 8183398  | Pedal Shaft                               | 109 | 8301072  | #6 Internal Tooth Lk Washer            |
| 49  | 8301121  | Washer                                    | 110 | 8182011  | 5/8-11 x 5" Hex Hd Cap Scr, Gr.5       |
| 50  | 8181369  | 1/4-20 Nylon Insert Lock Nut Gr.5         | 111 | 8181953  | B.L. Shoe, Handle & Pivot W/C          |
| 51  | 8181918  | Bar-Valve Brkt. Spacer                    | 112 | 8182043  | 5/8-11 Nylon Insert Lock Nut Gr.5      |
| 52  | 8181984  | 1/4 x 1-1/4 Hex Hd Cap Screw, Gr.5        | 113 | 8107107  | Handle Grip                            |
| 53  | 8181983  | Button Hd Soc Cap Screw 10-24 x 5/8, Gr.8 | 114 | 8181951  | B.L. Shoe Pivot Bracket                |
| 54  | 8182957  | Switch-Reversing                          | 115 | 8181682  | #10-24 Gr.5 Nylon Insert Lock Nut      |
| 55  | 8182682  | 10-24 Nylon Insert Lock Nut Gr.5          | 118 | 8182016  | 3/4"-10 Gr.5 Nylon Insert Lock Nut     |
| 56  | 8181959  | Cover-Switch                              | 119 | 8182579  | 3/4-10 x 5 Hex Hd. Cap Scr, Gr.5       |
| 57  | 8182682  | 10-24 Nylon Insert Lock Nut Gr.5          | 120 | 8106301  | 1/4-20 Hex Hd. Self-Tap Scr            |
| 58  | 8181708  | Extension Spring, Pedal                   | 121 | 8181964  | Plastic Accessory Tray                 |
| 59  | 8183031  | Bracket-Valve Mounting                    | 122 | 8181956  | Power Cable Assembly                   |
| 60  | 8181989  | 10-24 x 3/8 Socket Head Cap Screw, Gr.8   |     | 8182257  | Power Cable Assembly (C.S.A.)          |
| 61  | 8182627  | Cap Plug - 1-5/8" Dia.                    | 123 | 8183641  | Plastic Foot Hold Down                 |
| 62  | 8181911  | Spacer-Pedal                              | 124 | 8150128  | Cable Connector, 1/2"                  |

\* Indicates Accessory Item

# Parts Identification

| Ref | Part No.  | Description                              | Ref  | Part No. | Description                          |
|-----|-----------|--|------|----------|--------------------------------------|
| 125 | 8180237   | Caution Decal                            | 190  | 8183673  | Lock Handle/Lift Cam W/C, R.H.       |
| 127 | 8109769   | Release Valve Decal                      | 191  | 8100979  | Handle Grip, Black Flex 3/4 I.D.     |
| 128 | 8104612   | 3/4" Ext. Tooth Lock Washer              | 192  | 8181771  | Knob-Vertical Slide                  |
| 129 | 8104610   | 3/4" N.F. Jam Nut Gr.5                   | 193  | 8182029  | 5/16-1 x 1-1/2 BH Soc. Cap Scr, Gr.8 |
| 130 | 8104611   | 5/8" N.F. Jam Nut Gr.5                   | 194  | 8183502  | Manifold Bleed Valve Assembly        |
| 131 | 8104613   | 5/8" Ext. Tooth Lock Washer              | 195  | 8301017  | Ball, Ø1/2", Steel                   |
| 132 | 8107407   | Hitch Pin Retainer                       | 196  | 8182458  | Plastic Cap (Tower)                  |
| 133 | 8181933   | Pedal Inflation                          | 197  | 8005563  | Roll Pin, 1/4" x 1-1/2"              |
| 134 | 8102459   | 3/8" Self Tap Screw Gr.5                 | 198  | 8183635  | 3/4-10 x 14" Hex Hd. Cap Scr, Gr. 5  |
| 135 | 8104673   | Bushing (1/4" Valve)                     | 199  | 8182457  | Washer, 3/4"                         |
| 136 | 8104600   | 1/4" Valve Comp.                         | 200  | 8182016  | 3/4"-10 Gr.5 Nylon Insert Lock Nut   |
| 137 | 8104674   | Bushing (3/4" Valve)                     | 202  | 8107715  | 3/8-16 x 1-1/4 Hex Hd. Cap Scr, Gr.5 |
| 138 | 8106298   | 3/4" Valve Ported 1/4"-18 NPT            | 203  | 8000240  | Washer 1" OD x 13/32 ID x 3/16       |
| 139 | 8182809   | Lube Bottle Brkt-Red                     | 204  | 8181932  | Inflation Brkt.                      |
| 141 | 8181354   | Bead Lifting Tool                        | 205  | 8182457  | Washer, 3/4"                         |
| 142 | 8181995   | 4-Way Valve Piloted                      | 206  | 8182422  | Filter/Lubricator Mounting Strap     |
| 143 | 8182001   | #10-24 x 3/4" Gr.5 Skt. Hd. St Scr       | 207  | 8106301  | 1/4" Hex Hd Self Tap Screw, Gr.5     |
| 144 | 8180103   | 3/8 x 3-1/4 Clevis Pin                   | 208  | 8182059  | Line Pressure Gauge Decal            |
| 145 | 8107983   | Plastic Fastener                         | 210  | 8180638  | Motor Capacitor Only                 |
| 146 | 8107517   | Gauge Lens, Screw On                     | *211 | 8235208  | Motorcycle Clamp (Tall)              |
| 147 | 8181114   | Knob Assy-Adjusting                      | *212 | 8181619  | Motorcycle Clamp Kit (Tall)          |
| 150 | 8107985   | Flanged Air Gauge w/Fasteners            | *213 | 8235740  | ATV Clamp (Tall)                     |
| 151 | 8109888   | Inflation Warning Decal                  | *214 | 8181891  | ATV Clamp Kit (Tall)                 |
| 152 | 8183638   | Spacer, Stand Off                        | *215 | 8108028  | Tire Spreader                        |
| 153 | 8182373   | Decal, Warning                           | *216 | 8181329  | Spreader Base-Rim Clamp              |
| 154 | 8183630   | Short Arm Assembly, W/C                  | *217 | 8435685  | Drop Center Aid                      |
| 155 | 8106302   | 3/8" Whiz Lock Screw, Gr.5               | 218  | 8183762  | Operating Manual, 7660/7665          |
| 156 | 8181137   | 3/8-16 x 2-1/4 Hex Hd.Cap Scr, Gr.5      | *219 | 8435203  | Plastic Clamp Jaw                    |
| 157 | 8106303   | 3/8" Whiz Lock Nut, Gr.5                 | 221  | 8182371  | Wave Washer, 1-5/8 Dia.              |
| 158 | 8183626   | Arm Assembly, Rear W/C                   | 223  | 8182339  | Shim Kit-Swing Arm                   |
| 159 | 8183764   | Tower/Air Receiver                       | 224  | 8181970  | Bead Loosener Position Decal         |
| 160 | 8182076   | Shim Kit                                 | 225  | 8182770  | Bootie-Mount/Demount Head            |
| 161 | 8120424   | 3/8"-16 Wash Hd. Lock Nut Gr.5           | 226  | 920531   | Washer, Ø1" x .281 x .063            |
| 162 | 8182550   | Pivot Pin, B.L. Cylinder Rod             | 227  | 8000376  | 1/4 x 90° Brass Fitting              |
| 163 | 8183636   | Spacer, 7/8 x 2 3/4 x 1 1/2              | 229  | 8182250  | Adj. Clamp Plunger/Spring Assy.      |
| 164 | 8180230   | B.L. Spring                              | 231  | 8182186  | Dipstick-Transmission                |
| 165 | 8182816   | B.L. Arm (Red)                           | 232  | 8182185  | Tube-Dipstick                        |
| 166 | 8182009   | Screw, 3/4-10 x 3 3/4" Hex Hd Cap        | 233  | 8183639  | Handle Grip, Ø7/8"                   |
| 167 | 8120326   | Hitch Pin, Ø 1/2"                        | 234  | 8183666  | Storage Tube                         |
| 168 | 8101018   | Washer .392 x .687 x .0478               | 235  | 8120408  | 1/4-20 x 1-3/4 H.H. Cap Scr., Gr.5   |
| 169 | 8181285   | Inflation Pedal Decal                    | 236  | 8143169  | 1/4-20 Whiz Lock Nut, Gr.5           |
| 170 | 8106302   | 3/8 x 1 NC Hex Hd Cap Scr, Gr.5          | 237  | 8182768  | Pinch Point Caution Decal            |
| 171 | 8182027   | Washer 7 ga. x .406 ID x 1.28 OD         | 238  | 8181587  | Circuit Breaker (C.S.A.)             |
| 172 | 8140667   | 1/4-20 x 1/4 Soc.Hd.Set Scr, Gr.8        | 300  | 8181998  | Male Elbow 1/4 NPT x 3/8 Tube        |
| 173 | 8182786   | 5MM x 25MM Dowel Pin                     | 301  | 8182036  | Nylon Tube 3/8 OD x 12.25" Lg        |
| 174 | 8182788   | Mount/Demount Head Assembly              | 302  | 8183664  | Roller                               |
| 175 | 8182813   | 3/8-16 x 3/4 Counter Bore Cap Screw Gr.8 | 303  | 8183663  | Spacer                               |
| 177 | 8182787   | Roller .562 Diameter x .515 LG.          | 304  | 8110497  | Male Elbow 1/8 NPT x 1/4 Hose        |
| 178 | 8182031   | Bumper-Rubber                            | 305  | 8103649  | Ø1/4 x 12" Hose                      |
| 179 | 8182812   | Shaft-Vertical Slide                     | 306  | 8183659  | Handle                               |
| 180 | 8181740   | SHCS 1/2-13 x 1 3/4 Gr.5                 | 307  | 8182035  | Male St Fit. 1/8 NPT x 1/4 Tube      |
| 181 | 8181035   | Lift Pin-Lock Plate                      | 308  | 8182367  | Cross, 1/4" NPT Brass                |
| 182 | 8181113   | 1/2"-13 Jam Nut Gr.5                     | 309  | 8112310  | Washer - Flat                        |
| 184 | 8181788   | Lock Plate                               | 310  | 8000378  | 1/4" Brass St. Fitting               |
| 185 | 8181095   | 1-5/8 Snap Ring                          | 311  | 8006101  | 3/8-16 x 2 Hex Hd Cap Screw          |
| 186 | 8182820-2 | Swing Arm, For R.H. Cam Lock             | 314  | 8101346  | 3/4" Hose Clamp                      |
| 187 | 8181038   | Pivot Pin-Swing Arm                      | 315  | 8181349  | Rotary Coupling                      |
| 189 | 8183649   | Soc Hd Set Screw 1/4-20 x 5/16           | 316  | 8104844  | St Fitting 1/8 NPT x 1/4 Hose        |

\* Indicates Accessory Item

# Parts Identification

| Ref | Part No. | Description                         | Ref | Part No. | Description                        |
|-----|----------|-------------------------------------|-----|----------|------------------------------------|
| 317 | 8181713  | O-Ring Seal, Large (2-244)          | 389 | 8182007  | Ø1/8" x 60" Nylon Tube             |
| 318 | 8181712  | O-Ring Seal, Small (2-142)          | 391 | 8142844  | 1/4-20 Gr.5 Hex Hd. Self-Tap Scr   |
| 319 | 8106289  | Ø1/4" x 22" Hose                    | 392 | 8182044  | Hose Clamp                         |
| 321 | 8000378  | 1/4" Brass St. Fitting              | 393 | 8101898  | 3/8" Hose Fitting                  |
| 322 | 8181986  | Valve, 4-Way w/Pull Pin             | 395 | 8181147  | Hose 3/8 x 17-1/4" Lg.             |
| 324 | 8183310  | Bottom Cap, B.L. Cylinder           | 398 | 8101898  | 3/8" Hose Fitting                  |
| 325 | 8182079  | Seal Kit, B.L. Cylinder             | 399 | 8182998  | Regulator, 40 PSI                  |
| 326 | 8100957  | 3/4" NC Locknut Gr. 5               | 400 | 8181962  | Filter-Lubricator                  |
| 327 | 8181860  | Washer-Lower, B.L. Cylinder         | 401 | 8106300  | 3/8" Self Tap Scr Gr.5             |
| 328 | 8183519  | Shaft/Washer Assembly               | 402 | 8000372  | 1/4" x 90° Street ELL              |
| 329 | 8181574  | Barrel, B.L. Cylinder               | 403 | 8000572  | Fitting, Barbed 1/4"               |
| 330 | 8181862  | Tie Bolt, 1/2-13 x 10-1/4" Lg.,Gr.5 | 404 | 8104969  | Valve - Check                      |
| 331 | 8183309  | Top Cap, B.L. Cylinder              | 405 | 8182497  | Hose 3/8" x 36" Lg.                |
| 332 | 8181207  | 3/8" NPT Close Nipple               | 406 | 8183644  | Cyl. Assem. Ø1/2" x 18" Stroke     |
| 333 | 8181999  | Male Elbow 1/4 NPT x 3/8 Tube       | 407 | 8183683  | Decal, Information                 |
| 334 | 8182004  | Nylon Tube 3/8" x 30" Lg.           | 408 | 8184226  | Grease Fitting, St.                |
| 335 | 8182005  | Nylon Tube 3/8" x 20" Lg.           | 409 | 8104573  | Fitting, Straight-3/4"             |
| 336 | 8182003  | Nylon Tube 3/8" x 18.75" Lg.        | 410 | 8183642  | Valve, 3 Pos, Hand Operated        |
| 337 | 8182318  | Compression Spring                  | 411 | 8183637  | Ext. Retaining Ring, Ø2"           |
| 338 | 8182788  | Mount Demount Head Assembly         | 412 | 8182464  | Stainer Screen                     |
| 340 | 8182221  | Hose Clamp, 6"                      | 413 | 8183658  | Drop Center Tool Assembly          |
| 341 | 8183509  | Accessory Box Assembly              | 416 | 8102048  | Hose, Ø1/4" x 15"                  |
| 342 | 8107924  | 3/4 Nylon Elbow                     | 417 | 8181213  | Hose, Ø1/4" x 3"                   |
| 343 | 8182872  | Shop Ticket Holder                  | 418 | 8182599  | Safety Valve                       |
| 344 | 8182828  | Maint. Chart                        | 419 | 8183434  | Manifold/Gauge Protector           |
| 345 | 8120441  | Cable Tie                           | 420 | 8108968  | Air Gauge                          |
| 346 | 8104652  | Poppet, 3/4" Valve                  | 421 | 8182734  | Muffler                            |
| 347 | 8104651  | Spring, 3/4" Valve                  | 422 | 8182004  | Ø3/8 x 30.00 Nylon Tube            |
| 348 | 8106350  | End Cap, 3/4" Valve                 | 423 | 8181988  | Male Brch. Tee 1/4 NPT x 3/8 Tube  |
| 350 | 8000643  | 1/4" Brass Tee                      | 424 | 8183665  | Bracket Reciever, Bead Roller Tool |
| 351 | 8182071  | Fitting, Special Male Branch Tee    | 425 | 8183033  | Washer                             |
| 353 | 8101428  | Hose Clamp-1/4 I.D. Hose7           | 426 | 8181206  | Muffler-1/2" NPT                   |
| 355 | 8181998  | Male Elbow 1/4 NPT x 3/8 Tube       | 427 | 8181195  | 1/2" x 3/8" Reducing ELL           |
| 357 | 8120332  | Grip-Handle                         | 428 | 8000580  | Nipple - Close, 1/4 NPT            |
| 359 | 8181954  | Hose 3/4" x 31" Lg.-Black           | 429 | 8181207  | 3/8 NPT Close Nipple               |
| 360 | 8104649  | Poppet, 1/4" Valve                  | 430 | 8181191  | Valve, Quick Exhaust               |
| 361 | 8102468  | Poppet Spring, 1/4" Valve           | 431 | 8104844  | Fitting, Barbed 1/4"               |
| 362 | 8105671  | End Cap, 1/4" Valve                 | 432 | 8181203  | 1/2"-1/4" Reducing Bushing         |
| 363 | 8102048  | Hose 1/4" x 15"                     | 433 | 8181190  | Airmotor, Gast. 6AM                |
| 364 | 8182080  | Seal Kit, T.T. Cylinder             | 434 | 8183636  | Bootie Kit, Shoe, Pkg of 2         |
| 365 | 8181183  | 5/16-18 Nylon Insert Lock Nut Gr.5  | 435 | 8183605  | Bootie Kit, Lift Tool, Pkg of 10   |
| 366 | 8181622  | Cap-Cylinder Bottom                 | 436 | 8183604  | Bootie Kit, Rim Clamp, Pkg of 10   |
| 367 | 8182719  | 1/2-13 Locking Jam Nut, Gr.5        | 437 | 8182960  | Mount/Demount Head Plastic         |
| 368 | 8182062  | Washer 1-38 OD x 1/2 ID x .062      | 438 | 8150441  | 1/4" Star Lock Washer              |
| 369 | 8181629  | Shaft-Tabletop Cyl.                 | 439 | 8301142  | Washer, 1/4" Spring Lock           |
| 370 | 8181627  | Sleeve-Cylinder                     | 440 | 8107440  | 1/4-20 Hex Nut Gr.5                |
| 371 | 8181620  | Cap-Cylinder Top                    | 441 | 8182141  | Cord-Entrance to Switch            |
| 372 | 8181633  | Tie Bolt-Tabletop Cylinder          | 442 | 8143254  | Wire Joint                         |
| 373 | 8000481  | Hose 1/4" x 6"                      | 443 | 8182366  | 1/4 NPT Brass Close Nipple         |
| 374 | 8182008  | Hose 3/8" x 50                      | 444 | 8181999  | 1/4 NPT x 3/8 Tube Male St. Fit.   |
| 376 | 8410419  | Air Chuck                           | 446 | 8181999  | 1/4 NPT x 3/8 Tube Male St. Fit.   |
| 377 | 8105822  | Ø9/16" Hose Clamp                   | 447 | 8181998  | 1/4 NPT x 3/8 Tube Male Elbow      |
| 378 | 8182090  | Ø1/4 x 61" Hose                     | 448 | 8182036  | 3/8" x 12.75 Nylon Tube            |
| 379 | 8182020  | 3/4 NPT x 1/4 NPT St. Fit.          | 449 | 8181998  | 1/4 NPT x 3/8 Tube Male Elbow      |
| 381 | 8181993  | Hose, 3/4" x 15 1/2"                | 450 | 8182366  | 1/4 NPT Brass Close Nipple         |
| 383 | 8181987  | 1/8 NPT x 1/8 Tube Str. Ftg.        | 451 | 8181999  | 1/4 NPT x 3/8 Tube Male St. Fit.   |
| 387 | 8109481  | 1/4 x 1/8 Brass Reducer             | 452 | 8182367  | 1/4 NPT Brass Cross Fit.           |
| 388 | 8181996  | 1/8 NPT x 1/8 Tube Male St. Fit.    | 453 | 8181999  | 1/4 NPT x 3/8 Tube Male St. Fit.   |

\* Indicates Accessory Item

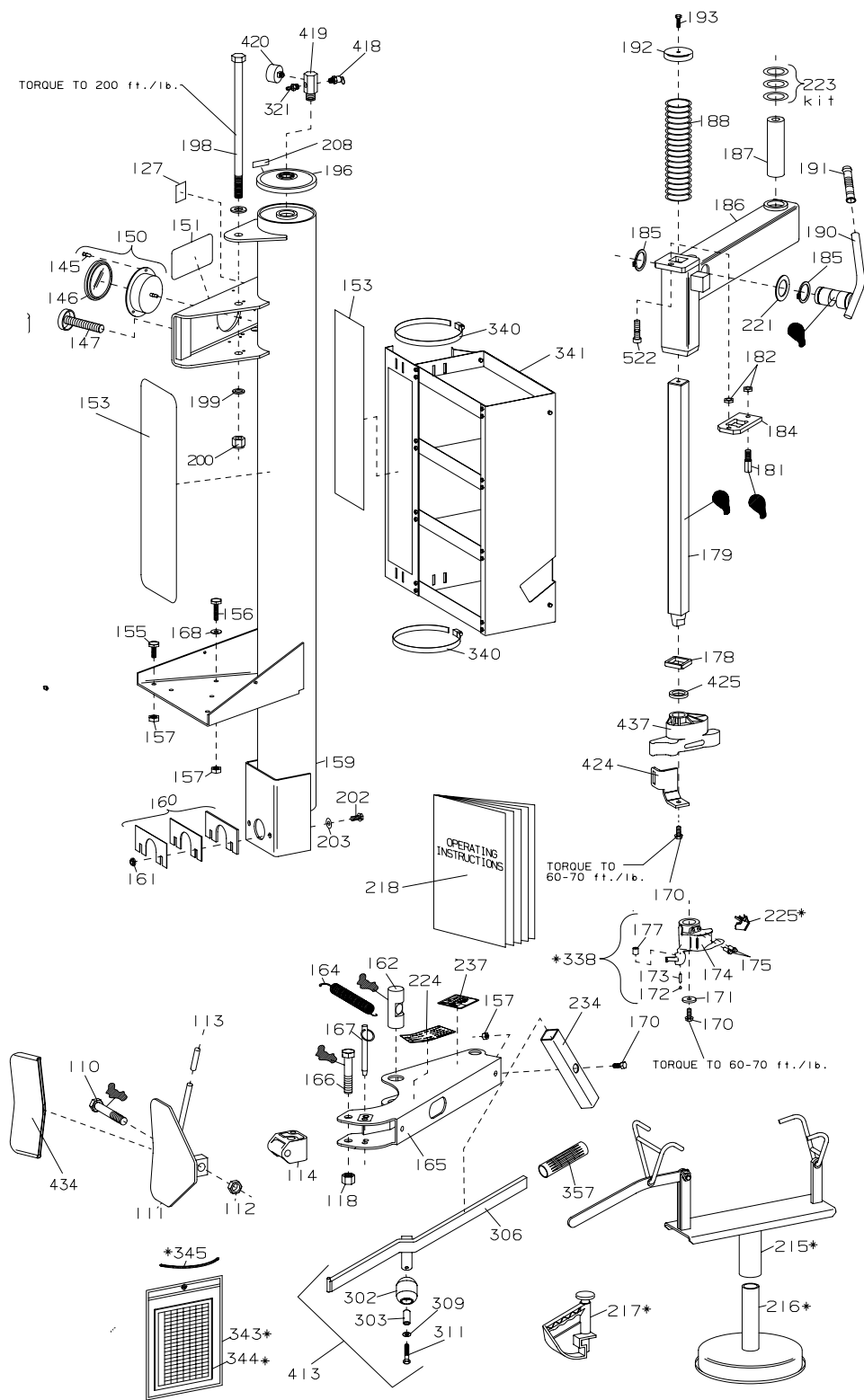
# Parts Identification

| <b>Ref</b> | <b>Part No.</b> | <b>Description</b>                    |
|------------|-----------------|---------------------------------------|
| 454        | 8181998         | 1/4 NPT x 3/8 Tube Male Elbow         |
| 455        | 8182036         | 3/8" x 12.75 Nylon Tube               |
| 456        | 8181998         | 1/4 NPT x 3/8 Tube Male Elbow         |
| 500        | 8111083         | Regulator                             |
| 502        | 8109472         | 1/8" Inline Filter                    |
| 503        | 8110496         | Volumn Chamber                        |
| 504        | 8109471         | 1/8" Brass Hex Nipple                 |
| 505        | 8109468         | Pressure Repeater                     |
| 506        | 8182035         | Male St Fit. 1/8 NPT x 1/4 Tube       |
| 507        | 8103649         | 1/4" Hose x 12" Lg.                   |
| 508        | 8109466         | Valve-Piloted                         |
| 511        | 8182037         | Nylon Tube 1/4 OD x 10" Lg.           |
| 513        | 8110325         | 1/4" NPT Male Run Tee                 |
| 514        | 8110497         | Fitting-90 Deg. Male Elbow            |
| 515        | 8111255         | Spl Tee-1/4 NPT x 3/8 x 1/4 Tube      |
| 518        | 8110328         | Tee, 1/8" NPT                         |
| 519        | 8182981         | Warning Decal                         |
| 522        | 8181740         | SHCS 1/2-13 x 1-3/4" Gr.5             |
| 523        | 8109481         | Fitting, Reducer, 1/4 NPT x 1/8 NPT   |
| 524        | 8181997         | 8181997 Fitting, 90° Elbow, 1/8 x 1/8 |
| 525        | 8183680         | Tube, Ø1/8" x 27"                     |
| 526        | 8183679         | Tube, Ø1/8" x 5"                      |
| 527        | 8105615         | Muffler 1/4" NPT                      |
| 528        | 8184243         | Hose, 1/4" x 49", Red                 |
| 529        | 8108605         | Female Coupling Assembly              |
| 530        | 8182842         | Front Cover                           |
| 531        | 8183237         | Safety Cage Handles Cover             |
| 532        | 8182862         | Valve Actuator                        |
| 533        | 8014044         | Speed Grip Nut                        |
| 534        | 8182838         | Tube & Mounting Assem., W/C           |
| 535        | 8183067         | Trim Strip, 19"                       |

\* Indicates Accessory Item



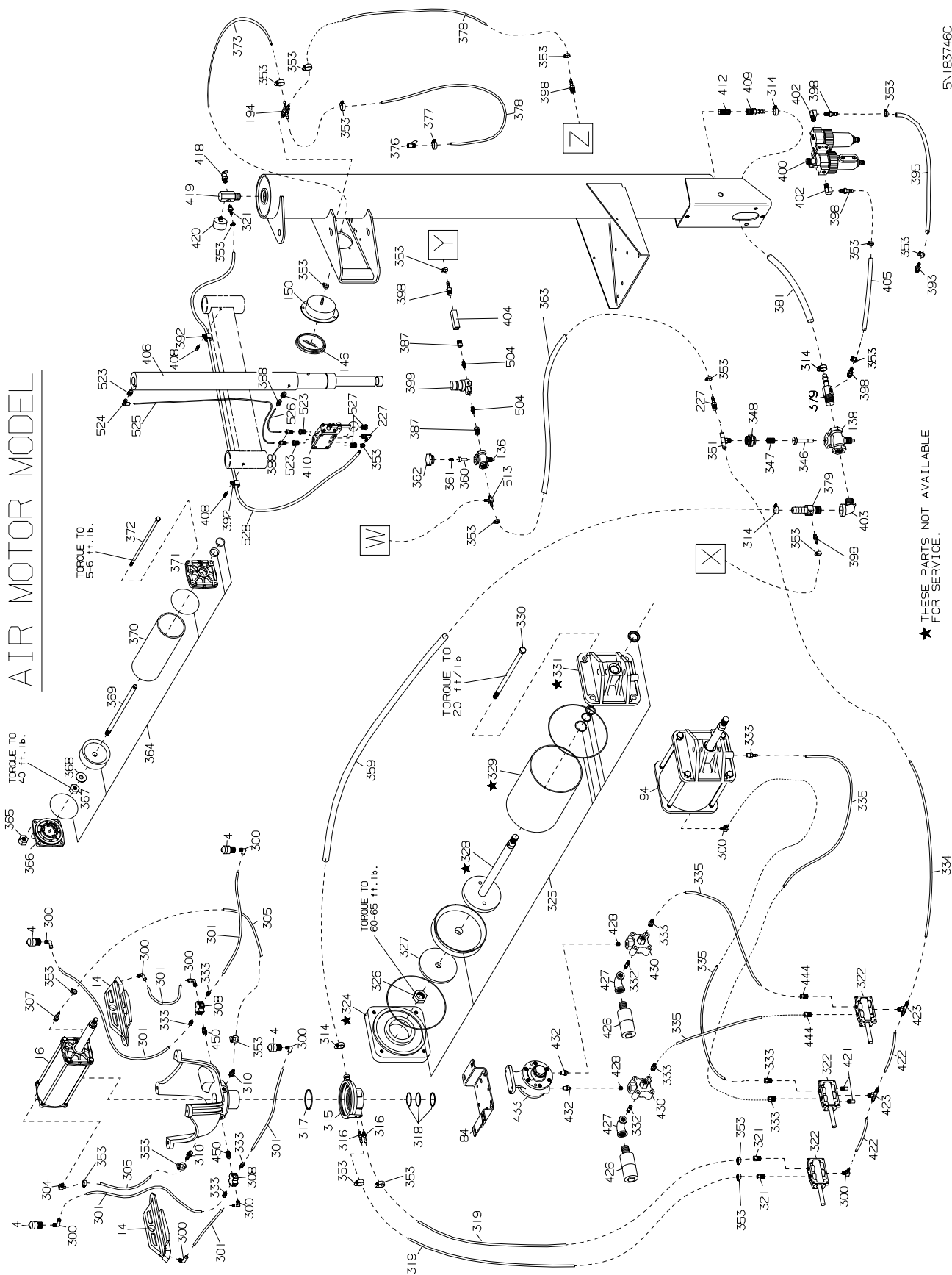
# Parts Identification



4\183746B

# Parts Identification

## AIR MOTOR MODEL

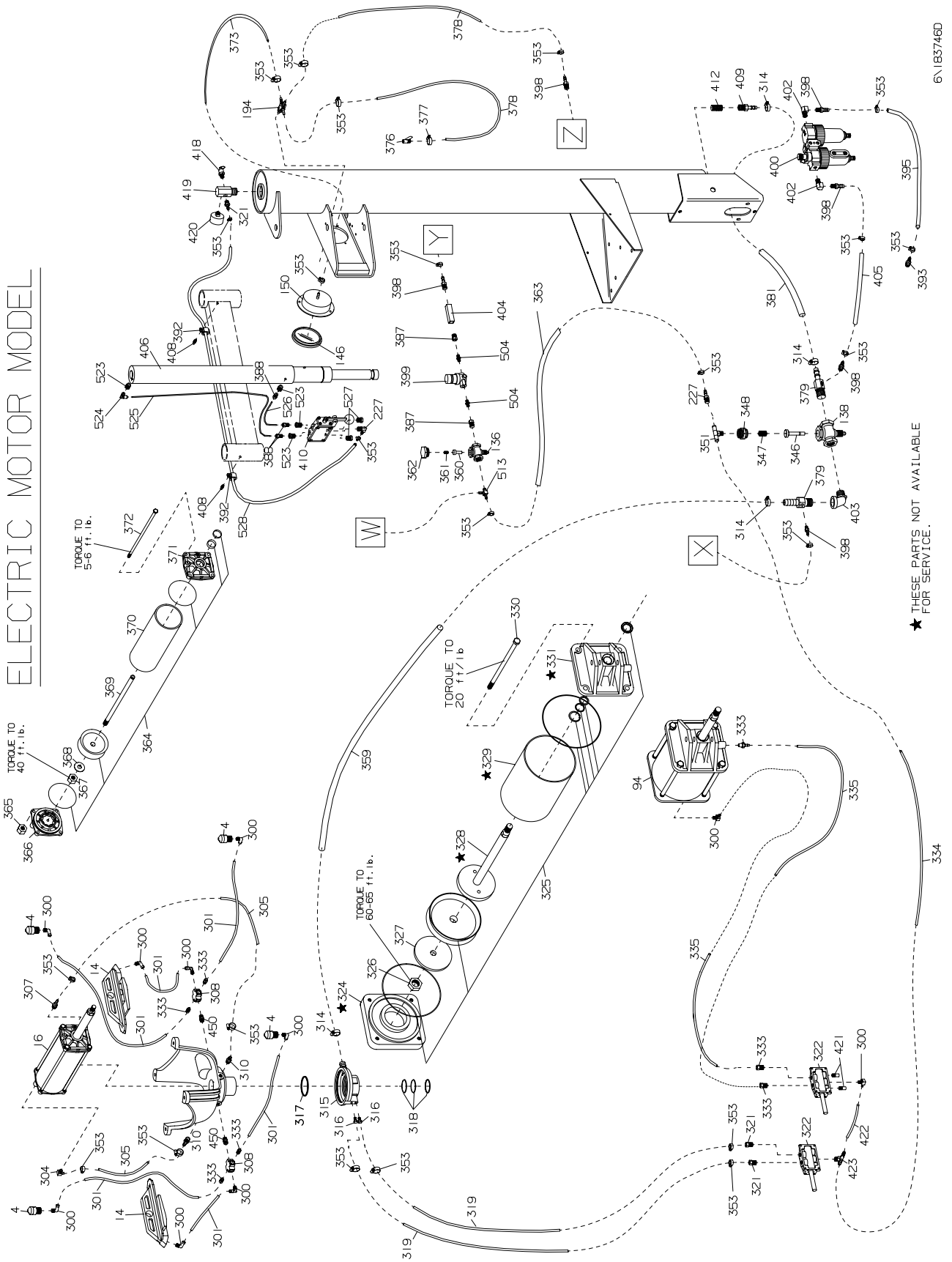


★ THESE PARTS NOT AVAILABLE FOR SERVICE.

5N183746C

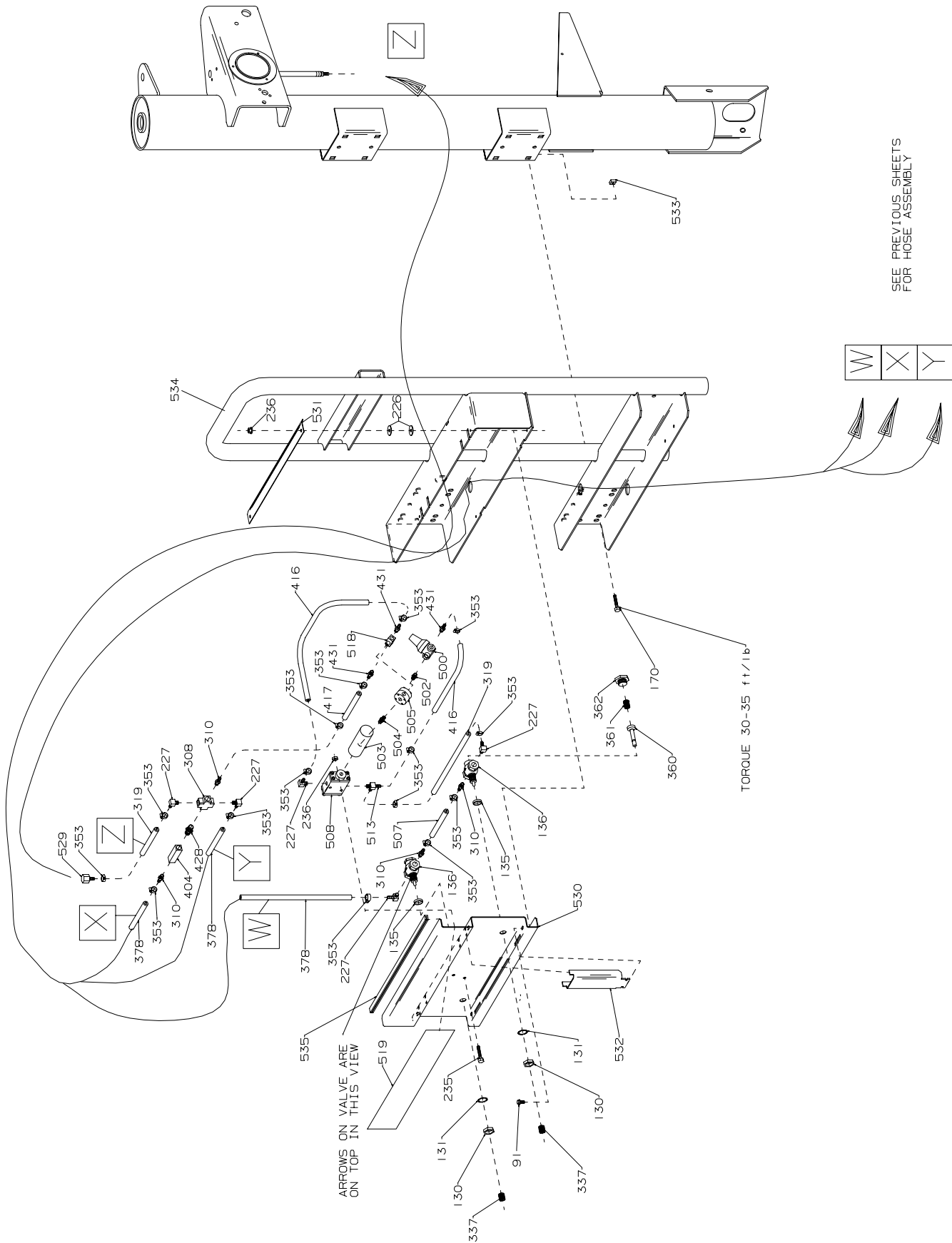
# Parts Identification

## ELECTRIC MOTOR MODEL



★ THESE PARTS NOT AVAILABLE FOR SERVICE.

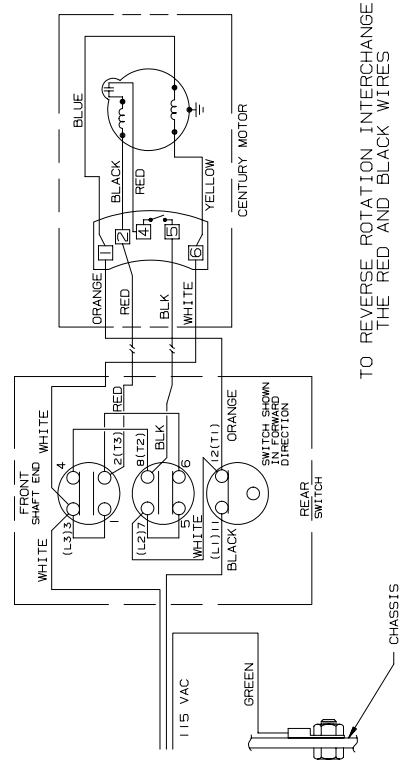
# Parts Identification



7 183746E

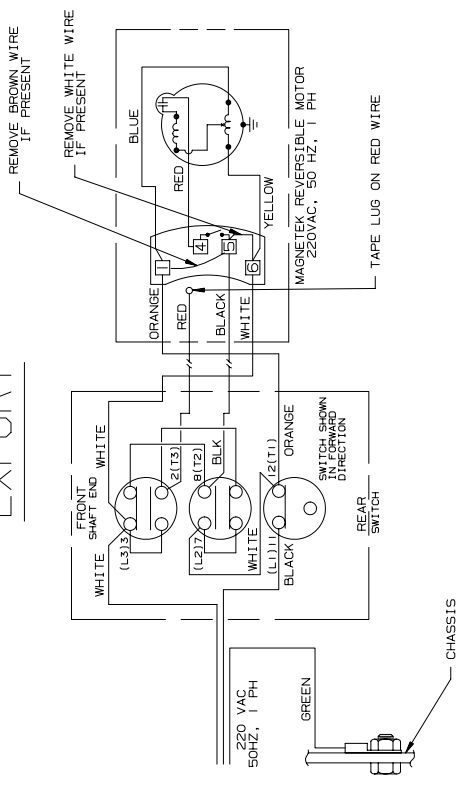
# WIRING DIAGRAMS

## DOMESTIC



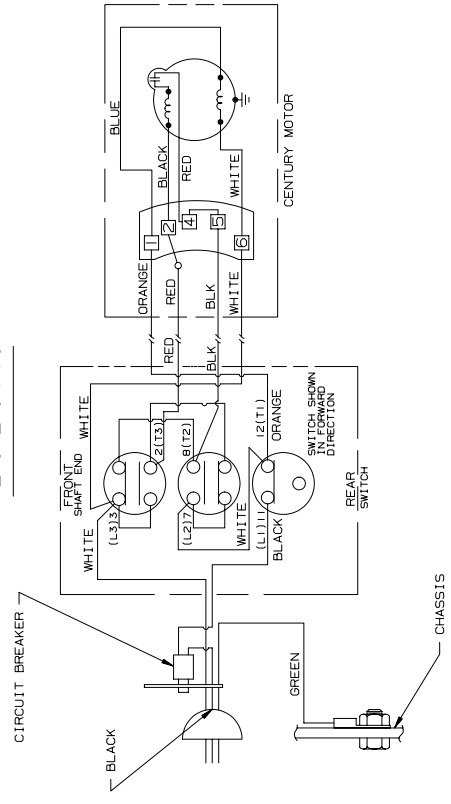
TO REVERSE ROTATION INTERCHANGE THE RED AND BLACK WIRES

## EXPORT



TO REVERSE ROTATION INTERCHANGE THE RED AND BLACK WIRES

## C.S.A.



TO REVERSE ROTATION INTERCHANGE THE RED AND BLACK WIRES

# Rim Clamp® Tire Changer

## All-Air Unit Compressed Air Requirements

COATS® Rim Clamp® tire changers that are powered entirely by air (no electric motor) require a single compressed air power source. Refer to the table below for exact specifications.

| Tire Changer Model | Compressor Size | Capable of            |
|--------------------|-----------------|-----------------------|
| 7660/7665 AX/EX    | 5HP             | 14-15 SCFM at 150 PSI |
| 7650/7655 AX/EX    | 5HP             | 14-15 SCFM at 150 PSI |
| 7060/7065 AX/EX    | 5HP             | 14-15 SCFM at 150 PSI |
| 7050/7055 AX/EX    | 5HP             | 14-15 SCFM at 150 PSI |

## Oiler and Water Separator Maintenance

The oiler and water separator (on units so equipped) require weekly service. Oil and water levels (indicated on the level gauge on the side of each bowl) should be checked regularly

**1.** The units are equipped with an automatic drain on the water separator and the presence of water under the separator bowl indicates proper function.

**2.** Add oil to the oiler if the fluid level is more than 1/4" from the top of the gauge. Remove the filler plug in the top of the oiler, and add SAE 10W non-detergent oil or an air tool oil to bring the level up to 1/4" from the top of the gauge. Replace the filler plug and clean up any spilled oil.

**3.** On oiler units, adjust the oil flow by rotating the black flow adjustment knob to increase or decrease the flow. Watch the formation of oil drops in the see-through oil chamber. Continually cycle the bead loosener through full strokes and count the drops during the cycles. The delivery of oil to the air line should be about 1 drop per 10 cylinder cycles. Adjust the flow as required.

**Note:** An alternate adjustment method for the oil flow is to turn the knob fully clockwise to stop the flow, then turn it back counterclockwise 1/4 turn.

## Transmission Lubrication

The transmission in this machine is a sealed unit packed with grease and should need no regular maintenance.

## Air Gauge Check and Recalibration

**1.** Inflate a standard 15" passenger car tire/wheel assembly to 32 PSI. Use a high quality stick-type pressure gauge to verify the pressure. Attach the tire changer's inflation hose to the valve stem and check the pressure reading on the air gauge. If it does not read 32 PSI, recalibrate the gauge.

**2.** Remove the screw-on lens. Loosen the 2 screws on the face of the gauge. Loosen them just enough so that the gauge face moves. Do not remove the screws.

**3.** Rotate the gauge face until the 32 PSI mark is aligned with the gauge needle. Tighten the 2 screws and replace the lens.

## Danger, Warning, Caution, and Instructional Decals

Always make the cleaning of these important decals a part of your regular maintenance routine. If they are damaged or illegible, replace them immediately. Your safety, and the safety of others is involved!