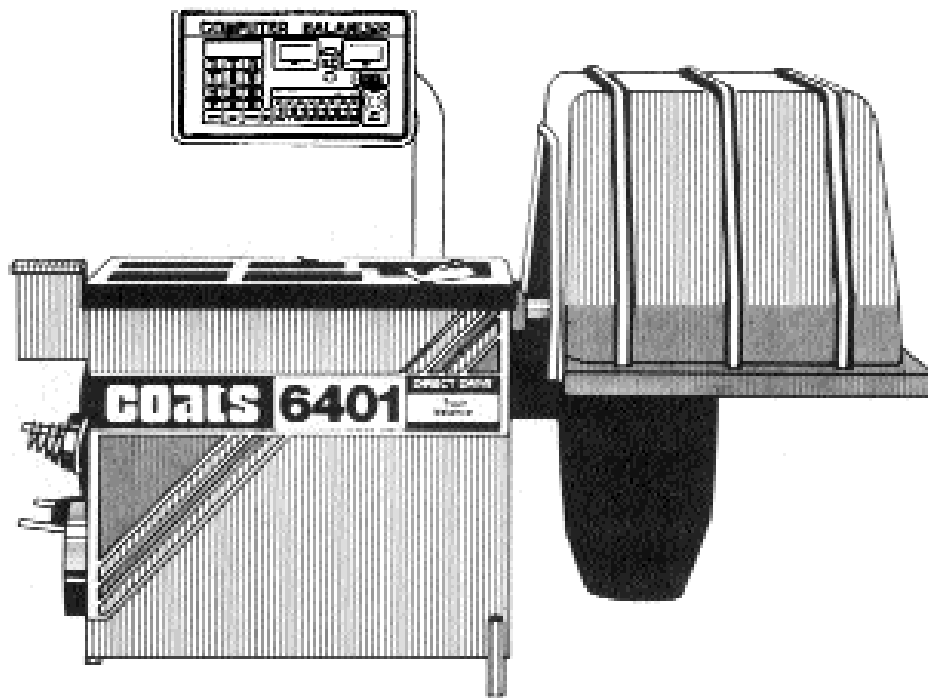


COATS®

6401 Computer Truck Wheel Balancer



Parts Identification

READ these instructions before placing unit in service KEEP these and other materials delivered with the unit in a binder near the machine for ease of reference by supervisors and operators.

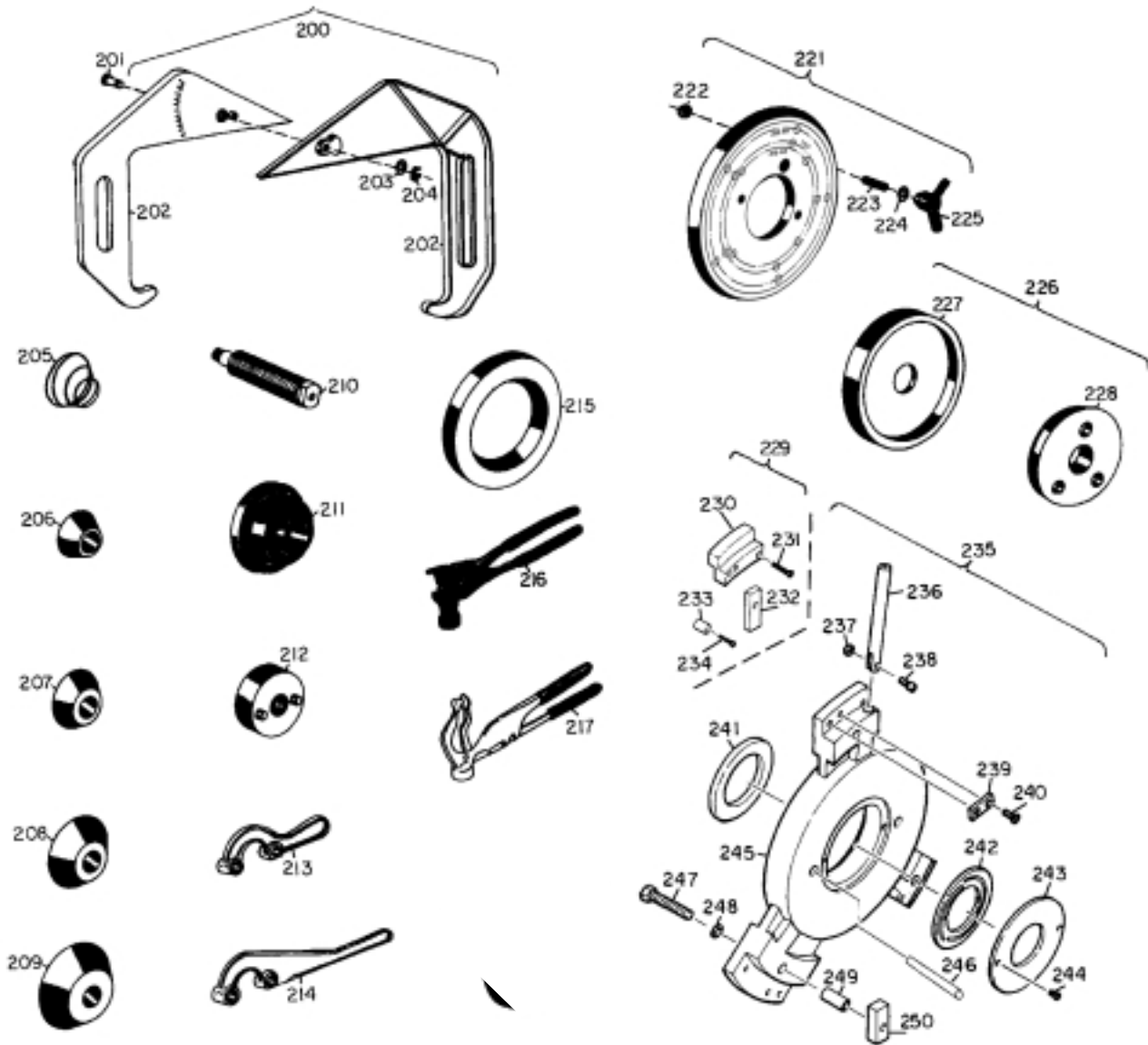
HENNESSY INDUSTRIES, INC.

HENNESSY INDUSTRIES INC. Manufacturer of AMMCO®, COATS® and BADA® Automotive Service Equipment and Tools.

Manual Part No.: 8144112
Revision: 01/01 rev. 0

Direct Drive

6401 Computer Truck Wheel Balancer Accessory List



Direct Drive

Standard Wheel Mounting Accessories

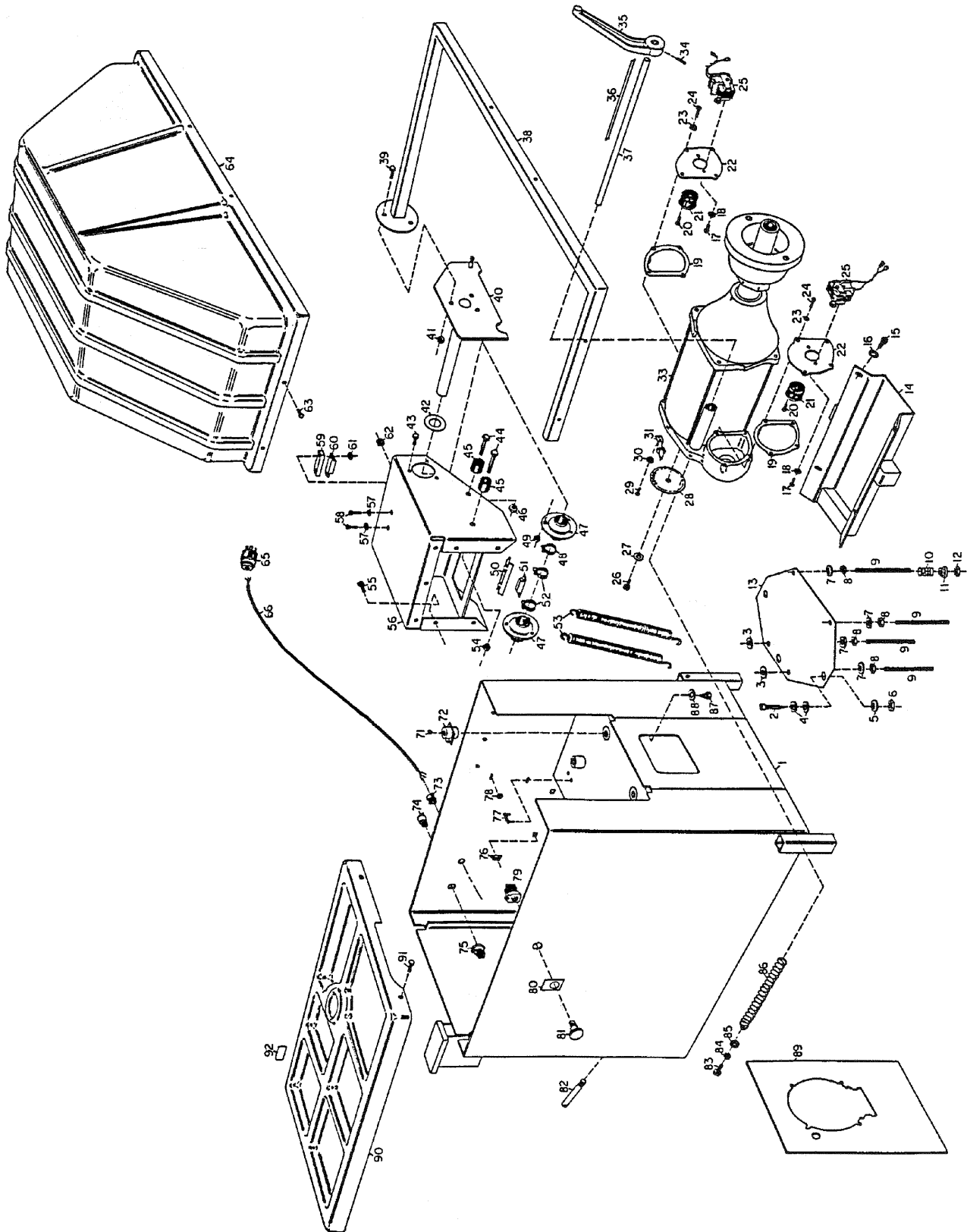
Item	Part #	Description
200	8309608	Caliper Assembly
201	8308090	Caliper Pin
202	8190076	Caliper
203	8301032	Flat Washer, 3/8"
204	8301153	Retainer
205	8308639	Back Cone Spring
206	8308628	Small Cone
207	8308629	Medium Cone
208	8308630	Large Cone
209	8308631	Truck Cone
210	8308605	6401 Threaded Stud
211	8308642	Pressure Drum
212	8309618	Hubnut Assembly
213	8308646	Hubnut Wrench, Short
214	8308645	Hubnut Wrench, Long
215	8308638	Truck Cone Spacer
216	8144064	Weight Pliers
217	8106357	Weight Pliers

Optional Wheel Mounting Accessories

Item	Part #	Description
221	8308627	Combi Adapter
222		5/8-11 UNC Hex Nut
223		Threaded Stud
224		Lock Washer
225	8309625	Wing Nut
226	8109877	Truck Kit Cone, Hub Centered Wheels
227	8109832	Backing Plate, Hub Centered Wheel
228	8109844	Cone, Hub Centered Wheel
229	8110786	Dayton Wheel Adapter Extension Kit, 22" - 24.5"
230	8111170	Extension, Arm (Kit 8110786)
231	8111173	Screw, Cap (Kit 8110786)
232	8111171	Clamp, Long (Kit 8110786)
233	8111169	Rod, Extension (Kit 8110786)
234	8111172	Screw, Cap (Kit 8110786)
235	8110785	Dayton Wheel Adapter Kit, 20" - 22.5"
236	8111168	Rod, Extension (Kit 8110785)
237	8181369	Nut, Lock (Kit 8110785)
238	8111159	Bolt (Kit 8110785)
239	8111167	Plate, Wear (Kit 8110785)
240	8111166	Screw, Cap (Kit 8110785)
241	8111157	Ring, Wear (Kit 8110785)
242	8111158	Plate, Eccentric (Kit 8110785)
243	8111163	Plate, Protector (Kit 8110785)
244	8111164	Screw, Cap (Kit 8110785)
245	8111165	Wheel Fixture (Kit 8110785)
246	8111155	Dowell Pin (Kit 8110785)
247	8111160	Screw, Hex Cap (Kit 8110785)
248	8301121	Washer, SAE (Kit 110785)
249	8111161	Bushing (Kit 110785)
250	8111162	Clamp, Short (Kit 110785)
251	8111156	Wrench, Cam (not shown, Kit 8110785)

Direct Drive

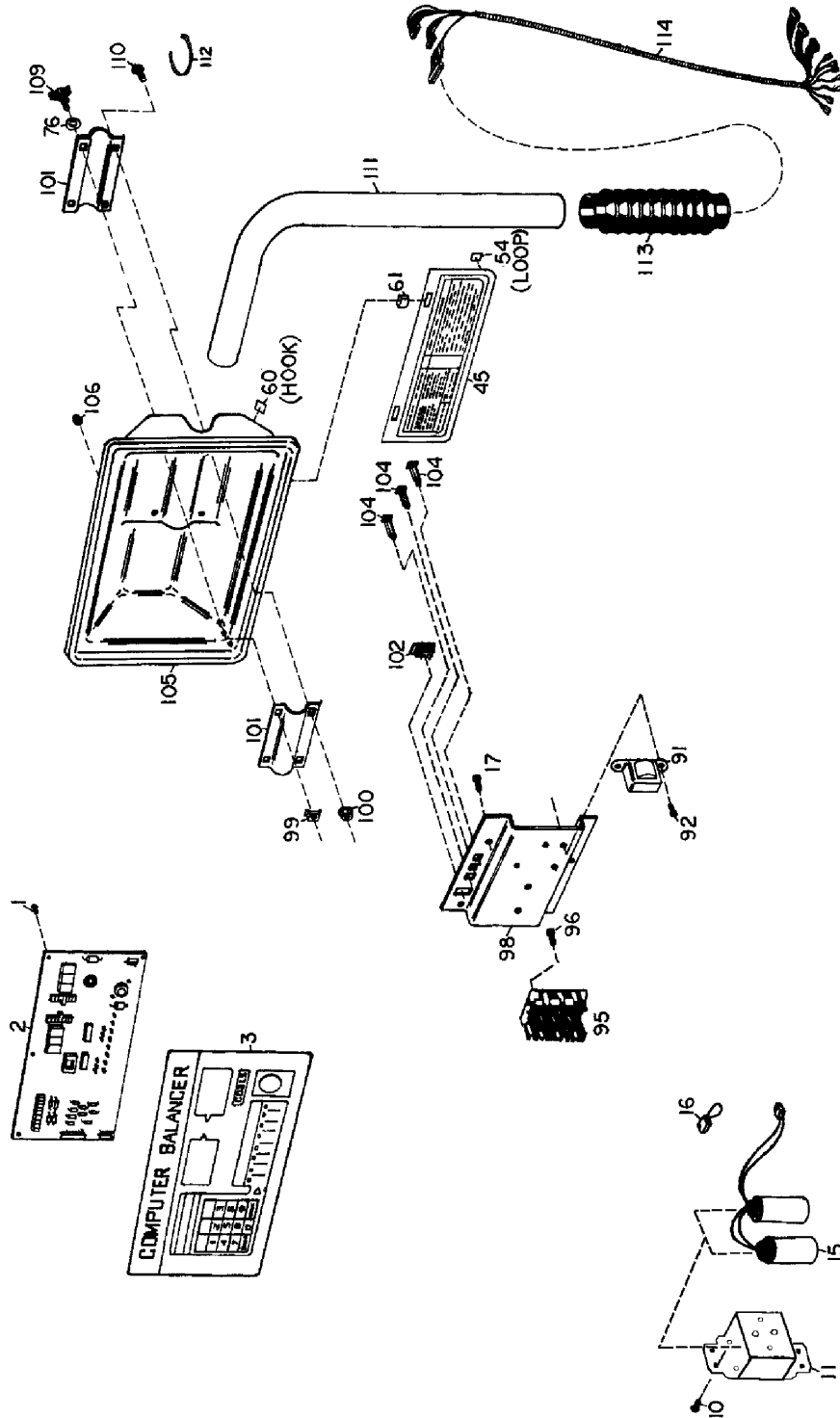
6401 Computer Truck Wheel Balancer Parts Identification



Direct Drive

ITEM	PART NO.	DESCRIPTION	ITEM	PART NO.	DESCRIPTION
1	8143501	Chassis	51	8305358	Switch Magnet
2	8301603	1/2x2-1/2 Shoulder Bolt	52	8143537	Hose Clamp
3	8000448	3/8 Flat Washer	53	8308062	Hood Springs
4	8301121	1/2 Flat Washer	54	8301122	1/2-13 Nyloc Nut
5	8000448	3/8 Flat Washer	55	8106302	3/8 Whiz Lock Screw
6	8301035	3/8 Nyloc Nut	56	8143506	Hood Bracket Weldment
7	8301031	3/8 Spring Lock Washer	57	8301072	#6 Internal Lock Washer
8	8301033	3/8 Hex Nut	58	8143531	#6-32x1-1/2 PHMS
9	8302602	Spring Stud	59	8143529	Spacer, Hood Switch
10	8143987	Spring	60	8305050	Switch Magnet
11	8308036	Retainer Lower Spring	61	8301066	#6-32 Kep Nut
12	8301035	3/8 Nyloc Nut	62	8307019	Grommet
13	8308601	Flex Plate	63	8106301	1/4-20x3/4 STS
14	8309624	Motor Cradle	64	8143528	Hood
15	8301030	3/8-16x1 HHCS	65	8140786	3 Phase Power Plug
16	8301031	3/8 Spring Lock Washer		8305076	1 Phase Power Plug
17	8301100	#10-31x1/2 PHMS	66	8309094	Power Cord Harness
18	8301103	#10 Int. Lock Washer	71	8301017	1/2 Diameter Ball
19	8308331	Gasket, Fan Motor	72	8309604	Piezo Sensor Assy.
20	8143223	#4-40 Screw	73	8150128	Cable Clamp Connector
21	8307001	Cage Blower	74	8305003	Switch, On/Off
22	8308330	Mounting Plate, Fan	75	8305080	Contact Block
23	8301103	#10 Int. Lock Washer	76	8143573	3/8-16 Speed Grip Nut
24	8301100	#10-32x1/2 PHMS	77	8143595	Sensistor Assy.
25	8143170	Fan Motor Assembly	78	8106303	#8-32 Kep Nut
26	8301016	3/8x3/8 Shoulder Bolt	79	8305080	Contact Block
27	8000448	3/8 Flat Washer	80	8305091	Cover Plate, Red
28	8308003	Rotary Shutter	81	8305601	Push Button, Red
29	8301100	#10-31x1/2 PHMS	82	8308026	Accessory Peg
30	8301103	#10 Internal Lock Washer	83	8106301	1/4-20x3/4 WHCS
31	8309002	Optical Encoder Assy.	84	8301142	1/4 Spring Lock Washer
32	8143169	1/4-20 Whiz Lock Nut	85	8000448	3/8 Flat Washer
33	8309609	Motor Assy.	86	8308617	Spring, Dimension Arm
34	8301152	3/16 Roll Pin	87	8301604	3/8x3/4 Shoulder Bolt
35	8308603	Distance Gauge Arm	88	8000448	3/8 Flat Washer
36	8111645	Scale, Distance Gauge	89	8308615	Motor Gasket
37	8308643	Distance Gauge Shaft	90	8308620	Weight Tray
38	8143505	Hood Bar Weldment	91	8106301	1/4-20x3/4 STS
39	8107715	3/8x1-1/4 HHCS	92	8314007	Caution Label
40	8143504	Pivot Weldment			
41	8106303	3/8 Whiz Lock Nut			
42	8301104	1-1/2 Washer			
43	8106302	3/8 Whiz Lock Screw			
44	8140729	1/2-13x2-1/2 HHCS			
45	8309008	Hood Stop Molding			
46	8301122	1/2-13 Nyloc Nut			
47	8143527	Hood Bearing			
48	8190129	Hose Clamp			
49	8106303	3/8 Whiz Lock Nut			
50	8190128	Bracket Switch Mount			

Direct Drive



Direct Drive

ITEM	PART NO.	DESCRIPTION
1	8301063	Screw, #6-32 X 1/2" PHM
2	8112998	PCB Assembly
3	8112989	Touch Panel, 6401
10	8111542	Screw, #8-32 X 5/8" SEM
11	8110537	Panel, Capacitor
15	8112356	Capacitor
16	8112224	Jumper, Assembly
17	8110560	Screw, #8-32x3/4
45	8110966	Instruction Card, Cal/MM
54	8110956	Velcro Patch, Loop
60	8110955	Velcro Patch, Hook
61	8111038	Latch, Instruction Card
76	8301084	Nut, #8-32 Kep
91	8111894	Transformer
92	8301082	Screw, #8-32x1/2 PHM
95	8111879	Motor Control Board
96	8112208	Standoff, 8-32 male, 3/8"
98	8110821	Power Panel
99	8143044	Nut, 3/8-16 Tinnerman
100	8106303	Nut, 3/8-16 WH
101	8110795	Clamp, Pod 102
102	8305802	Switch, ON/OFF
104	8111218	Breaker, 2 Amp
105	8111031	Pod
106	8111055	Nut, #6-32 Acorn
109	8110817	Knob
110	8110823	Bolt, 3/8-16 Carriage
111	8110805	Support, Pod Tube
112	8111056	Tie, Cable, 11"
113	8110800	Cover, Pod Tube
114	8112920	Harness, Signal

