

SBM 100s-200s

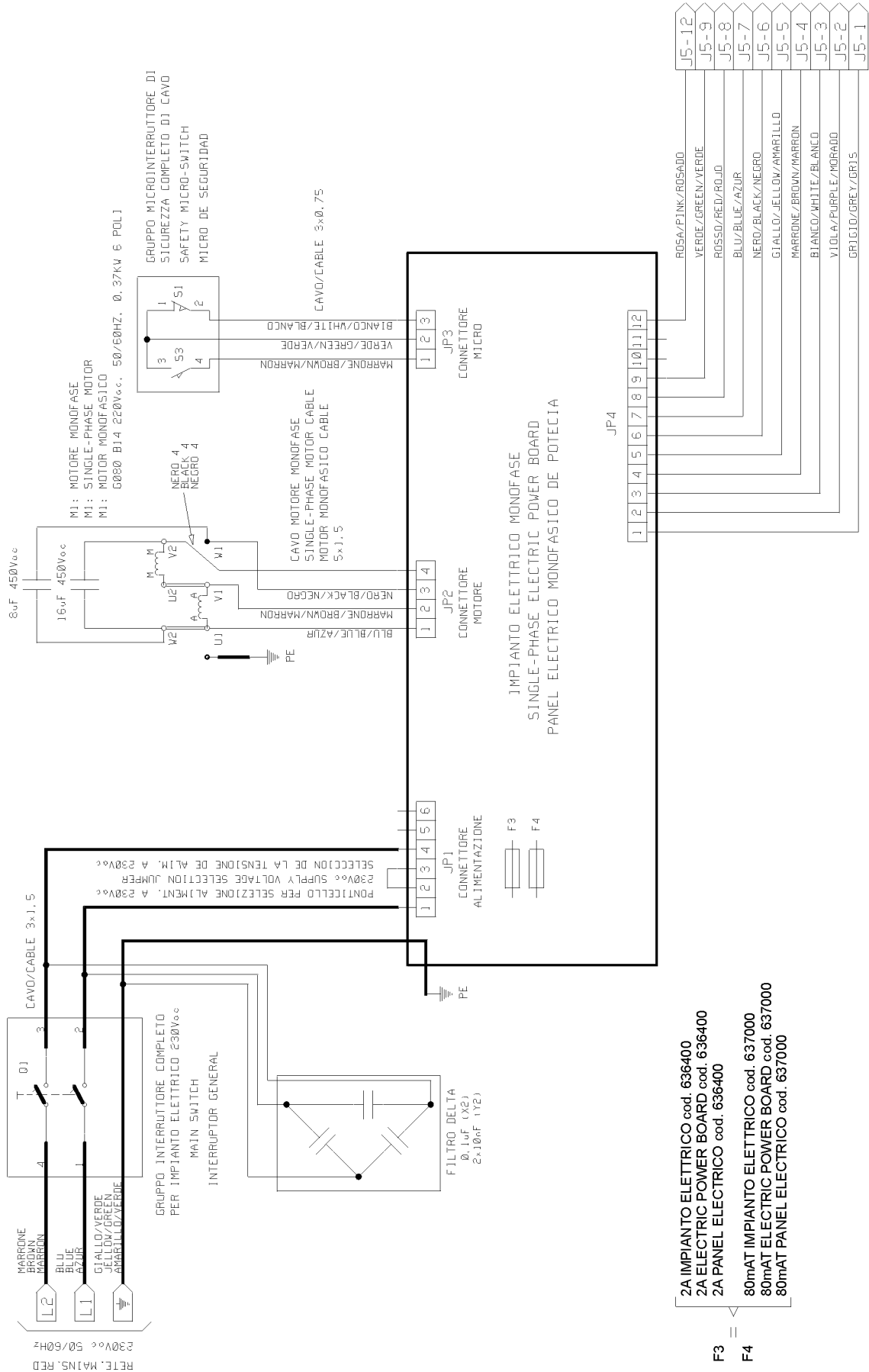
***PARTI DI RICAMBIO
PIÈCES DE RECHANGE
SPARE PARTS
ERSATZTEILEN
REPUESTOS***

N° 646000 REV. 1
N° 646100 REV. 0
N° 646200 REV. 1

N° 646300 REV. 0
N° 646600 REV. 4
N° 646700 REV. 2

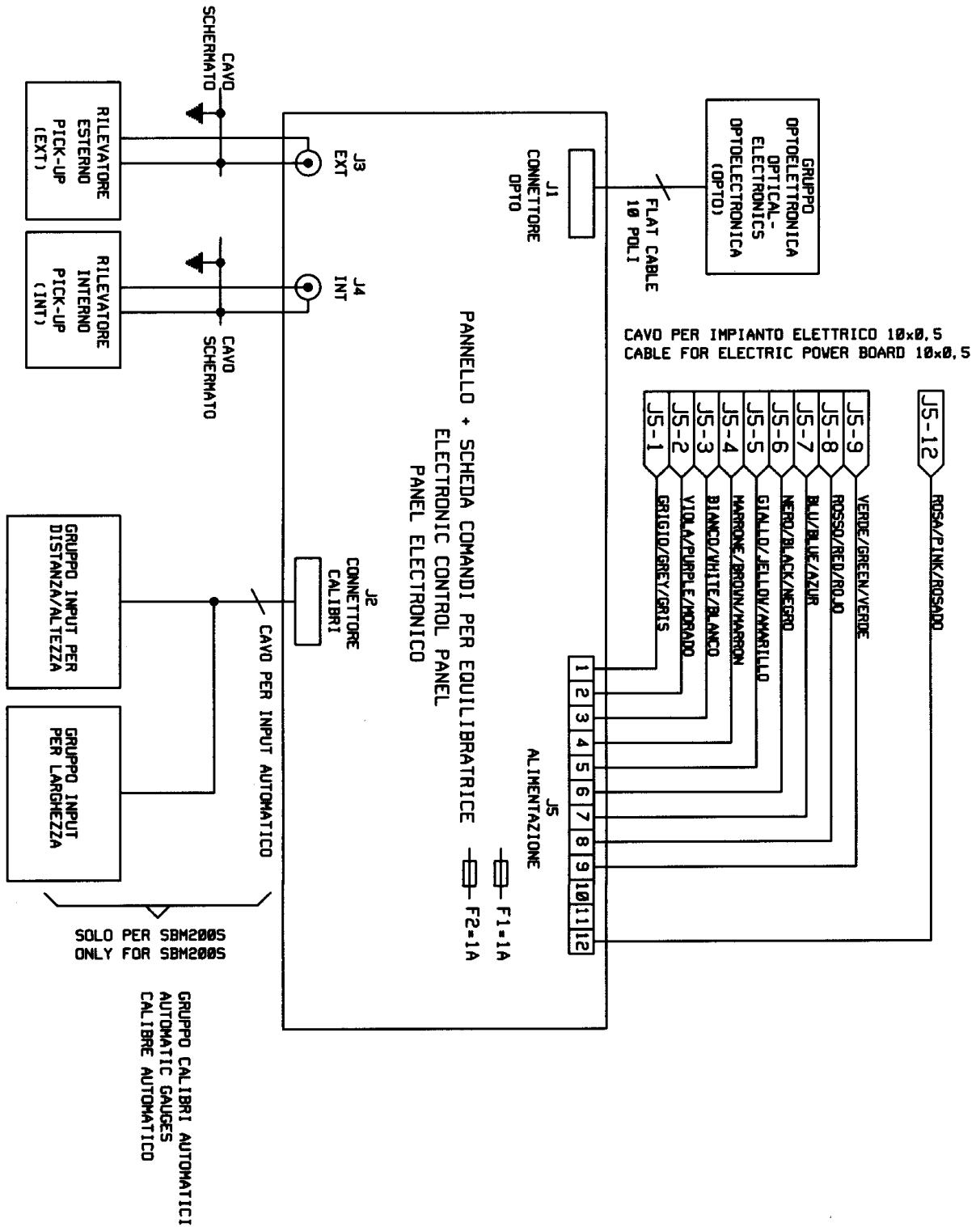
N° 645800 REV. 5
N° 645900 REV. 2
N° 652300 REV. 3

SCHEMA ELETTRICO EQUILIBRATRICE SBM100S - SBM200S A 230V
SBM100S - SBM200S BALANCING MACHINE ELECTRIC DIAGRAM AT 230V
DIAGRAMA DE CONEXION BALANCEADORA SBM100S - SBM200S A 230V

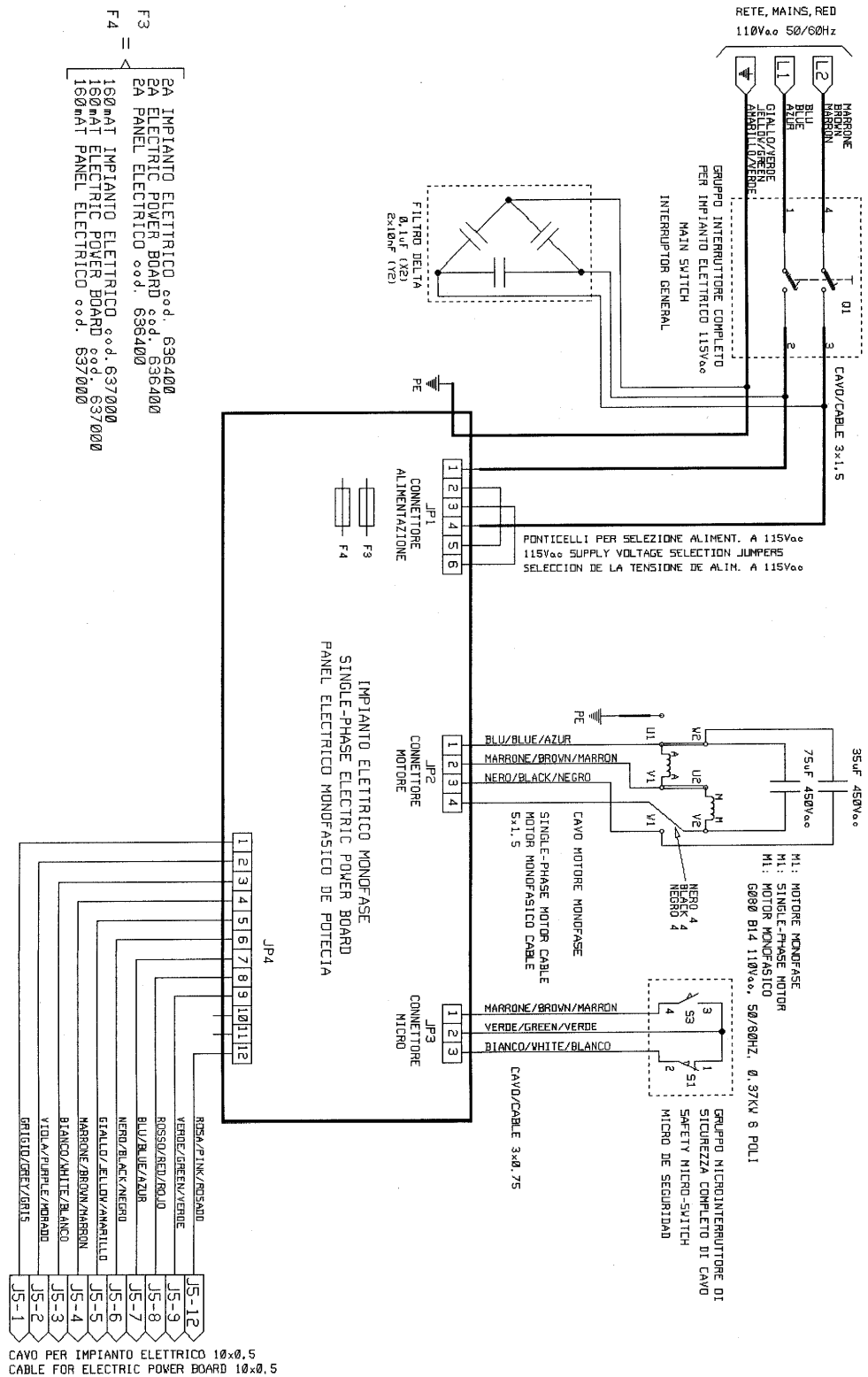


CABLE FOR ELECTRICAL POWER BOARD 10x0,5
 CAVO PER IMPIANTO ELETTRICO 10x0,5

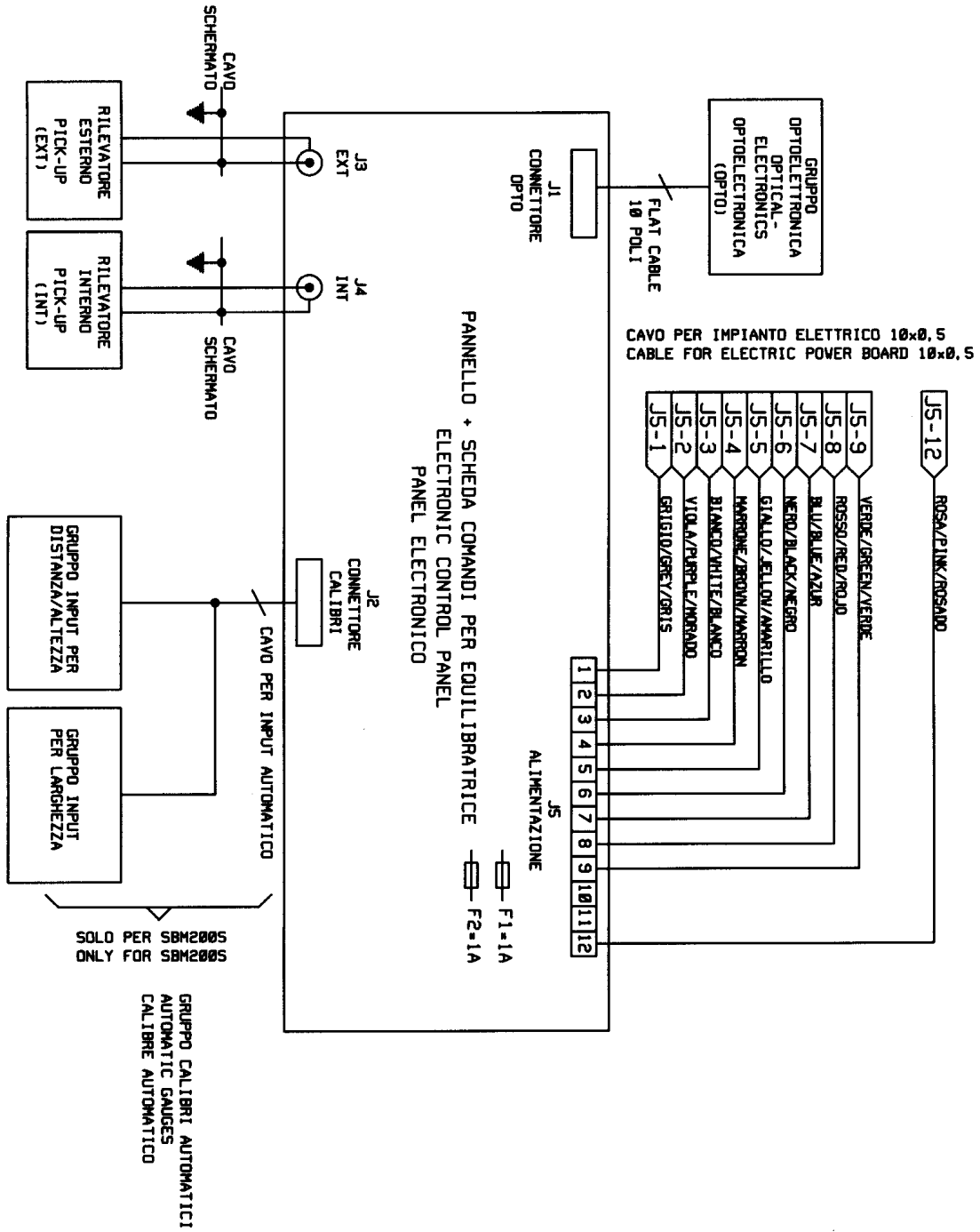
SCHEMA ELETTRICO EQUILIBRATRICE SBM100S - SBM200S A 230V
 SBM100S - SBM200S BALANCING MACHINE ELECTRIC DIAGRAM AT 230V
 DIAGRAMA DE CONEXION BALANCEADORA SBM100S - SBM200S A 230V

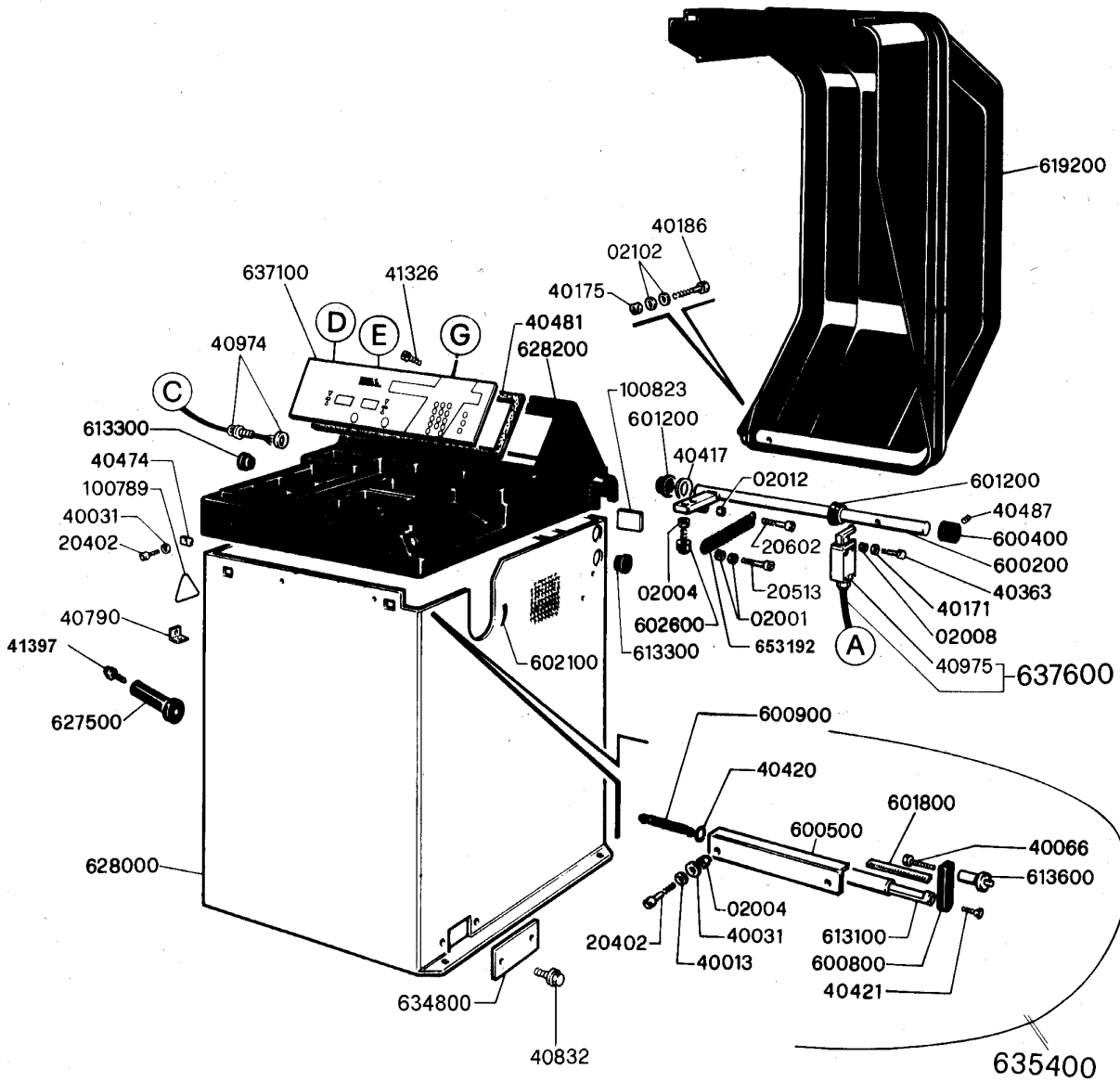


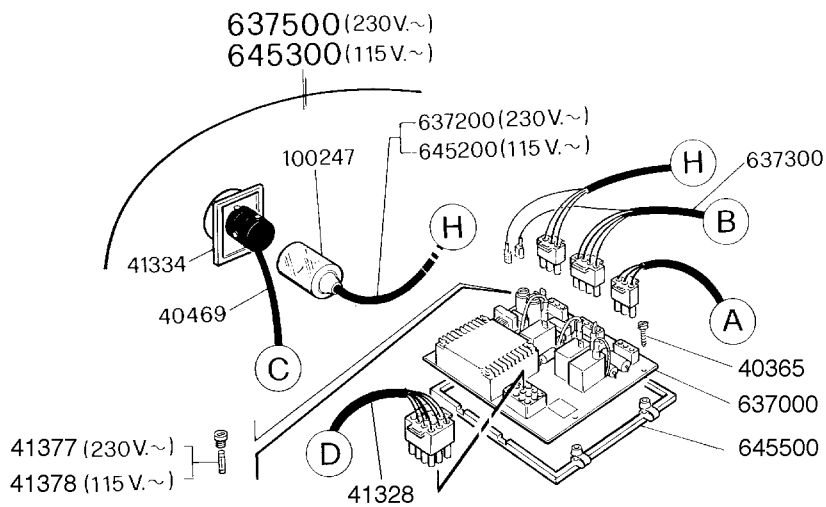
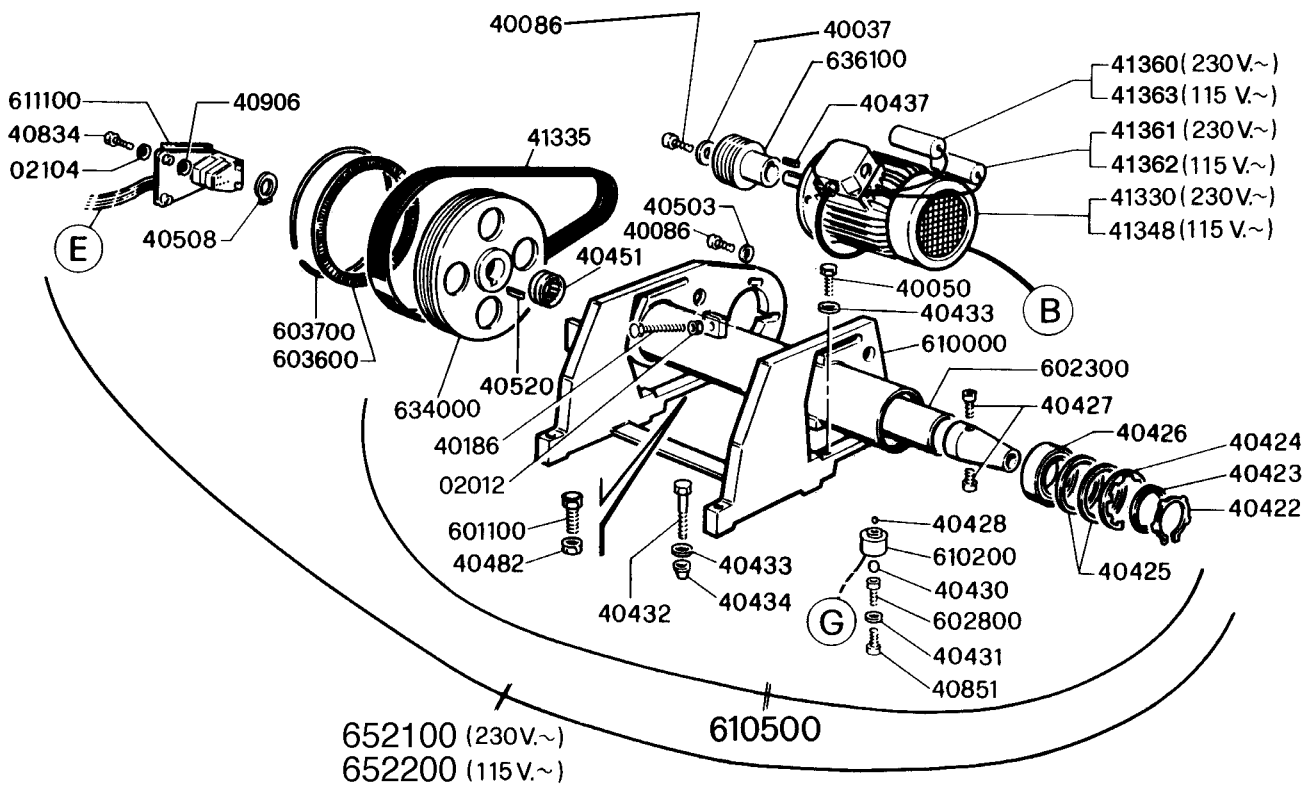
SCHEMA ELETTRICO EQUILIBRATRICE SBM100S - SBM200S A 115V
SBM100S - SBM200S BALANCING MACHINE ELECTRIC DIAGRAM AT 115V
DIAGRAMA DE CONEXION BALANCEADORA SBM100S - SBM200S A 115V

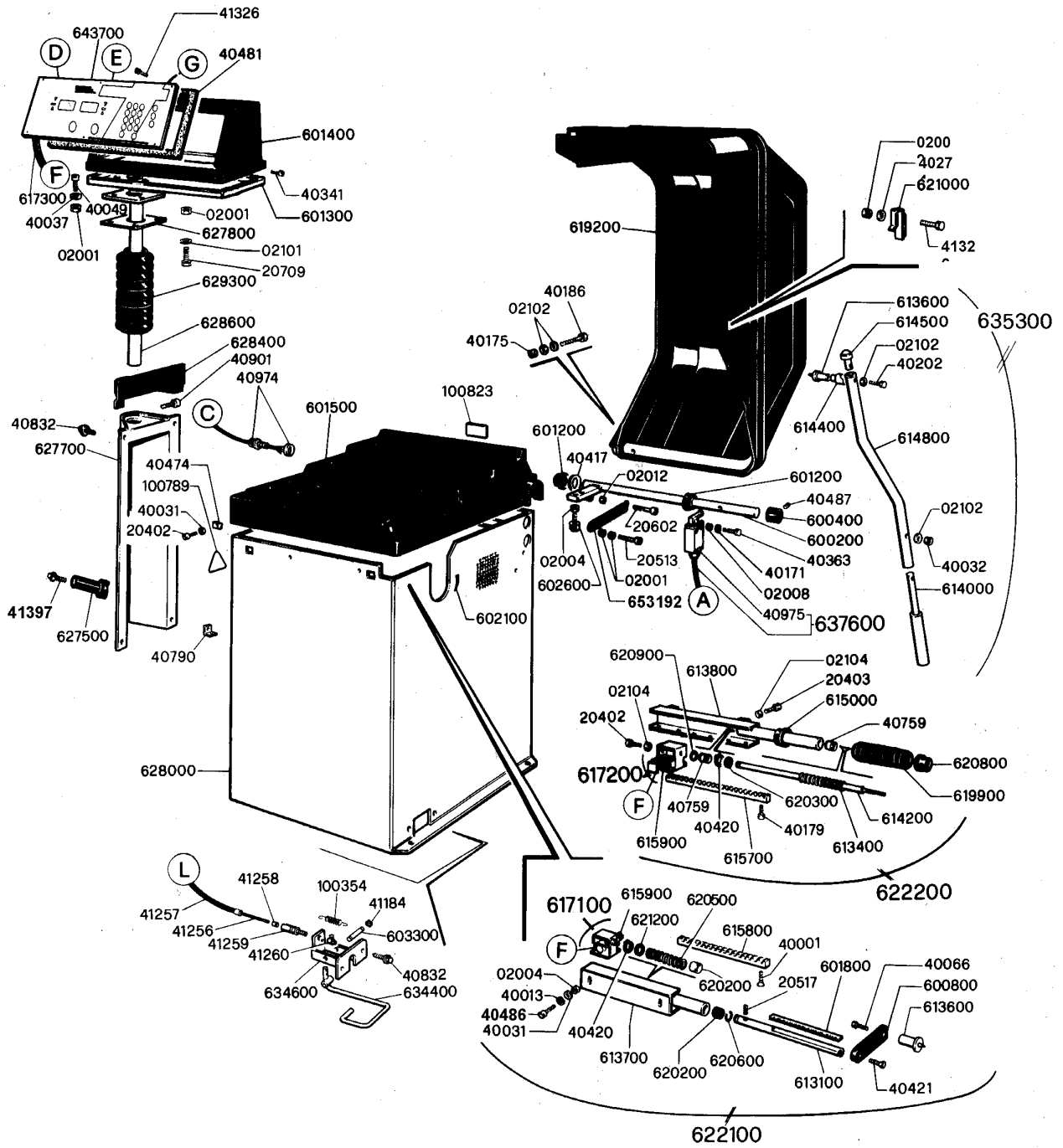


SCHEMA ELETTRICO EQUILIBRATRICE SBM100S - SBM200S A 115V
 SBM100S - SBM200S BALANCING MACHINE ELECTRIC DIAGRAM AT 115V
 DIAGRAMA DE CONEXION BALANCEADORA SBM100S - SBM200S A 115V

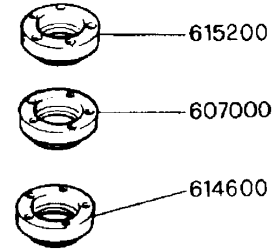
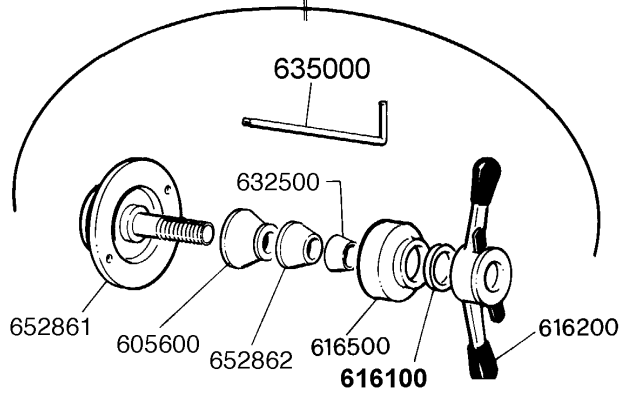




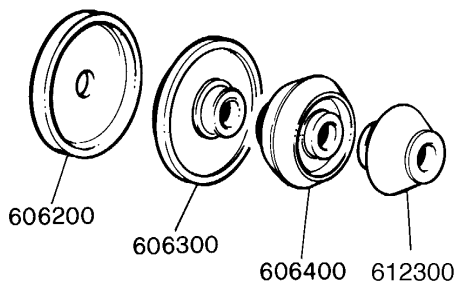
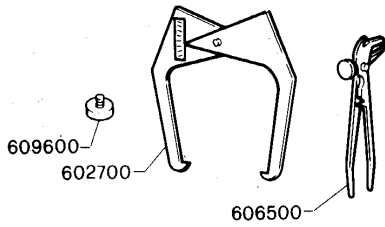
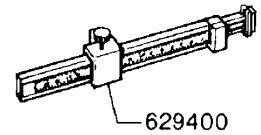
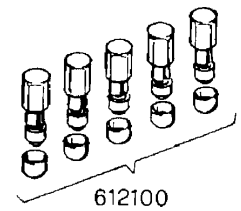
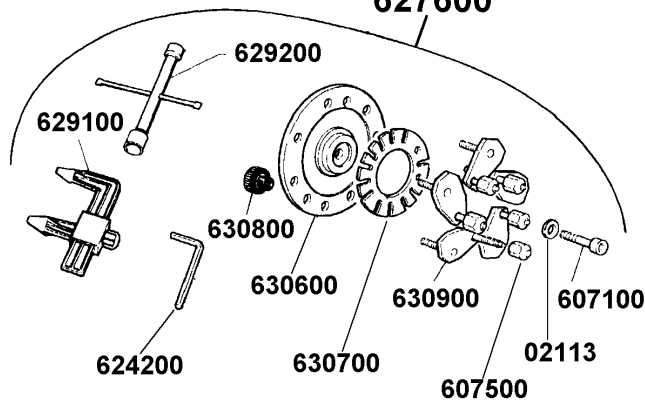




602400



627600



635800

