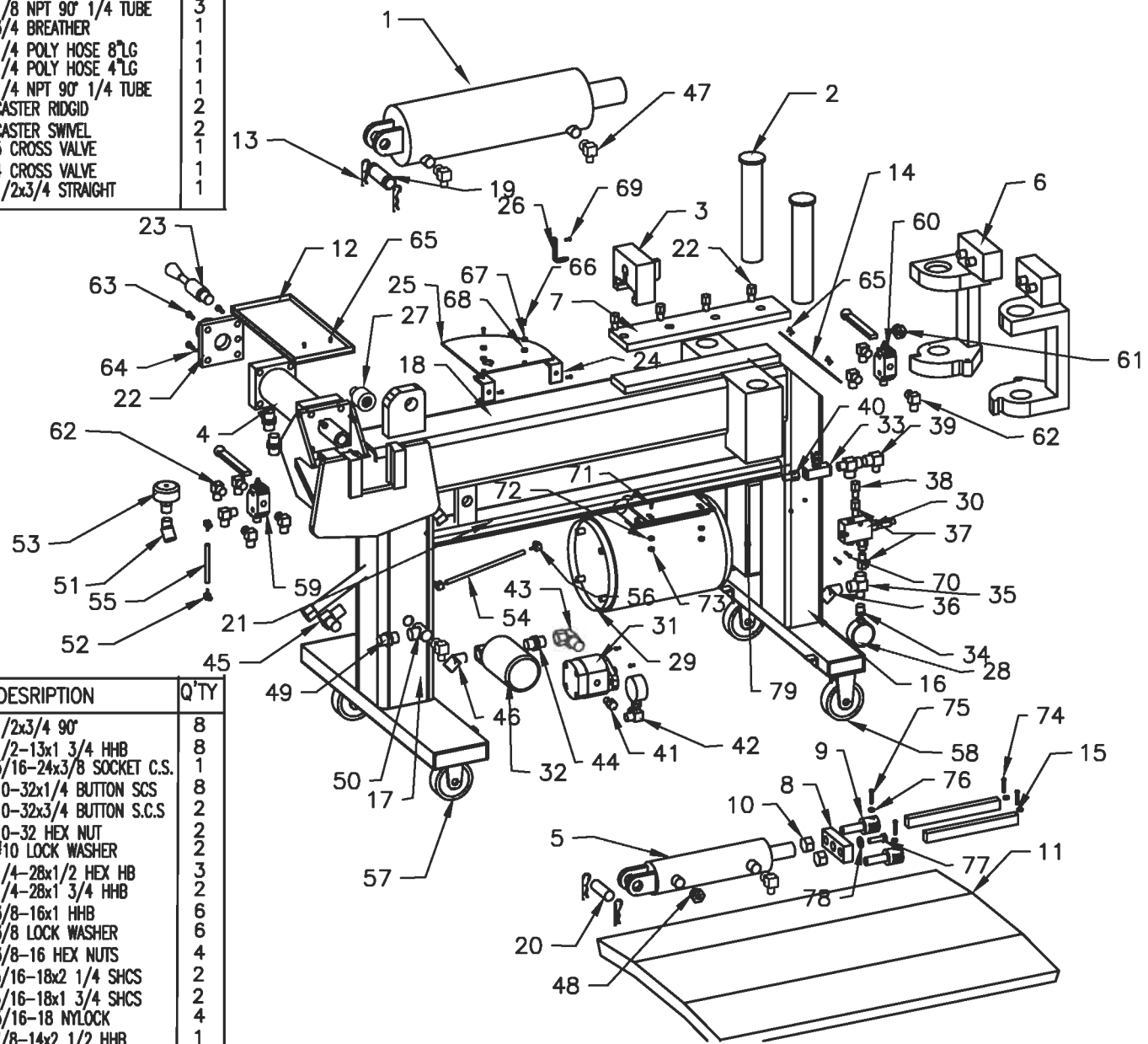


NO	ITEM NO.	DESCRIPTION	QTY
1	5210843	LIFT HEAD	2
2	5210992	POWER SIDE POST	1
3	5210993	OFFSIDE POST	1
4	5210812	ARM	4
5	5210689	TOP TROUGH ASSY	1
6	5210700	LIFT PAD	4
7	5505270	LIFT HEAD PIN	4
8	5210701	CHAIN PULLY	2
9	5502325	2 1/2X43 CYL.	2
10	5365401	MICRO SWITCH COVER	1
11	5575310	3" PULLEY	6
12	5530136	3/8-16x1 1/2 HHB	4
13	5545130	3/8 LOCK WASHER	4
14	5535170	3/8 HEX NUT	4
15	5585082	AB-1468	1
16	5530260	5/16-18x3/4 HHB/PWR UNIT	4
17	5535122	5/16-18 NYLOCK NUT/PWR UNIT	4
18	5530455	3/4x4 3/4 ANCHOR BOLTS	12
19	5746395	PAD EXT. LONG	4
20	5746390	PAD EXT. SHORT	4
21	5510320	BL-646 CONN.LINKS	4
22	5510430	CHAIN BL646 62-1/4"	2
23	5715200	GUIDE BLOCK	16
24	5505350	HAIR PIN	6
25	5595445	3/8 CABLE 422"	2
26	5535100	5/8-11 HEX NUT	4
27	5550106	3/8 90°x1/4 FITTING	1
28	5550148	1"3/8x 1/4	1
29	5550146	3/8 REDUCER	1
30	5550103	1/4 90°W/O RING x3/8	1
31	5570635	1/4 HOSE 405"LG	1
32	5570430	1/4 HOSE 44"LG	1
33	5545535	C-SHIM	25

NOTES: UNLESS OTHERWISE SPECIFIED

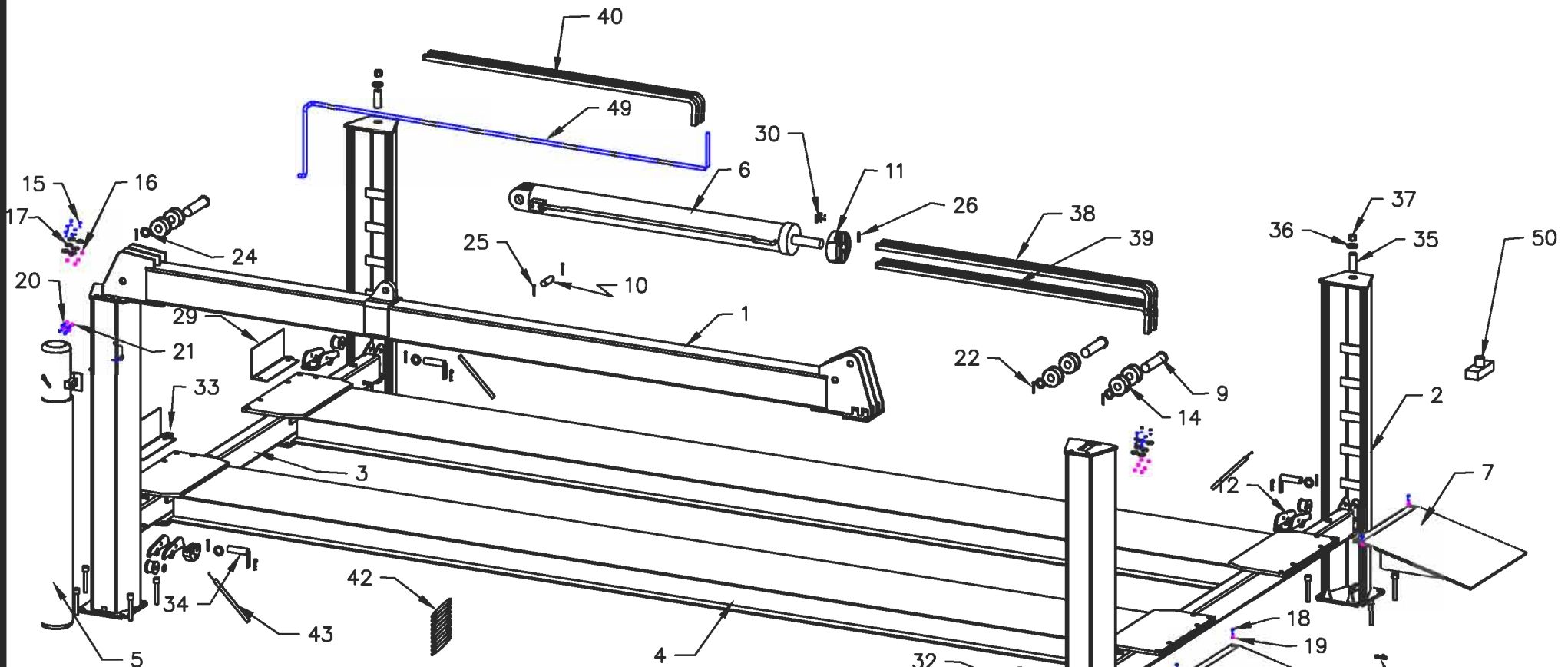
 PROJECTION APPROVED	TOLERANCES: XX ± 0.02 XXX ± 0.005 FRACTIONS ± 1/16 SURFACE DIA. Ø ±.005 ANGLES ± 1/2" QTY REQ'D	BEND-PAK 1645 LEMONWOOD DRIVE SANTA PAULA, CA 93060	
		XL-9CTX	
		MAT'L:	
		DATE: 04/13/04	REV.
CAGE CODE ØA223	NEXT ASSY	SCALE:	XL-9CTX

INDEX	PART NO.	DESCRIPTION	Q'TY	INDEX	PART NO.	DESCRIPTION	Q'TY
-1	5500235	5x14 CYL.	1	-52	5560130	1/8 NPT 90° 1/4 TUBE	3
-2	1021	SHAFT	2	-53	5585165	3/4 BREATHER	1
-3	1022-W	PUSHER BLOCK	1	-54		1/4 POLY HOSE 8'LG	1
-4	5500236	3 1/2x7 D.E.	1	-55		1/4 POLY HOSE 4'LG	1
-5	5500237	3 1/2x7 S.E.	1	-56	5560135	1/4 NPT 90° 1/4 TUBE	1
-6	1106	GATE ASSY	2	-57	5580140	CASTER RIDGID	2
-7	1024	RISER BAR	1	-58	5580145	CASTER SWIVEL	2
-8	1040	CHAIN CONN.	2	-59	5590100	5 CROSS VALVE	1
-9	1041	CHAIN RETURN	1	-60	5590125	4 CROSS VALVE	1
-10	5535136	3/4-10 NYLOCK NUT	2	-61	5550117	1/2x3/4 STRAIGHT	1
-11	1111	BOTTOM TOOL TRAY	1				
-12	1112	SMALL TOOL TRAY	1				
-13	5530189	HAIR PIN	4				
-14	1031-C	UPRIGHT FACE PL.	1				
-15		BL-844 12'LG.	2				
-16	1107	FRONT LEG ASSY	1				
-17	1105	REAR SUB ASSY	1				
-18	1108	BODY ASSY	1				
-19	1156	1 1/4x4 CYL. PIN	1				
-20	1157	1x2 3/4 PIN	1				
-21	1109	MOTOR MTG. SUPPORT	1				
-22	1114	BUTTRESS ASSY	1				
-23	1073-B	HARBOR 112	1				
-24	1033-C	MOUNTING BRKT.	2				
-25	1034	DEPTH OF BEND PL.	1				
-26	1035	BEND INDICATOR	1				
-27	1025-C	SLIP TWIST ADAPTER	1				
-28	5515105	PRESSURE GAUGE	2				
-29	5515105	MOTOR	1				
-30	5590130	SEQUENCE VALVE	1				
-31	5590210	OIL PUMP	1	-62	5550139	1/2x3/4 90°	8
-32	5590215	OIL FILTER	1	-63	5530230	1/2-13x1 3/4 HHB	8
-33	5590115	FLOW CONTROL VALVE	1	-64	5530140	5/16-24x3/8 SOCKET C.S.	1
-34	5550146	3/8x1/4 STRAIGHT RED.	1	-65	5550152	10-32x1/4 BUTTON SCS	8
-35	5550136	TEE 3/8 MALE 3/8 FEM.(2)	2	-66	5530180	10-32x3/4 BUTTON S.C.S	2
-36	5550116	1/2 45°3/8	1	-67	5535185	10-32 HEX NUT	2
-37	5550142	3/8x3/8 REDUCER O RING	2	-68	5545145	#10 LOCK WASHER	2
-38	5550128	3/8x3/8 STRAIGHT NIPPLE	1	-69	5530270	1/4-28x1/2 HEX HB	3
-39	5550102	1/2x3/8 NPT 90°	1	-70	5530126	1/4-28x1 3/4 HHB	2
-40	5550132	1/2x3/8 STRAIGHT NIPPLE	1	-71	5530245	3/8-16x1 HHB	6
-41	5550135	5/8x1/2 STRAIGHT O RING	1	-72	5545130	3/8 LOCK WASHER	6
-42	5550130	3/8x3/8 90° TAP	4	-73	5535170	3/8-16 HEX NUTS	4
-43	5550138	3/4x3/4(fem.) 90° O RING	1	-74	5530145	5/16-18x2 1/4 SHCS	2
-44	5550104	3/4x3/4 STRAIGHT NIPPLE	1	-75	5530155	5/16-18x1 3/4 SHCS	2
-45	5550124	3/4x3/4 90°	1	-76	5535122	5/16-18 NYLOCK	4
-46	5550149	3/4x3/4 45°	2	-77	5530105	7/8-14x2 1/2 HHB	1
-47	5550134	1/2x3/4 SAE 90°	4	-78	5545120	7/8 LOCK WASHER	1
-48	5550101	1/2x1/4 REDUCER	1	-79	5520170	STARTER	1
-49	5550152	1/2 SAEx3/4 NPT STRAIG.	1				
-50	5565110	1/2 TEE	1				
-51	5565195	1/2 45° STREET ELBOW	1				



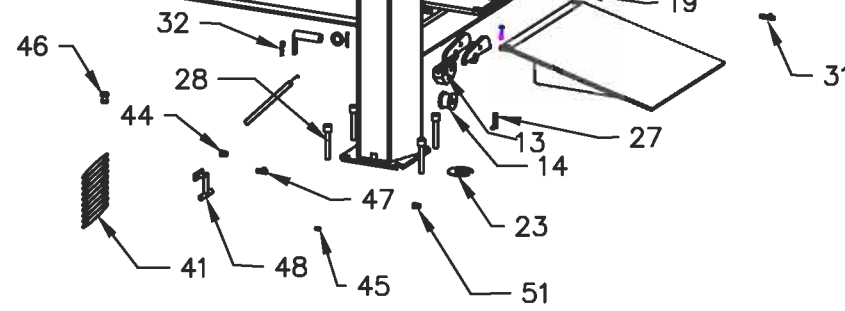
NOTES: UNLESS OTHERWISE SPECIFIED

 PROJECTION APPROVED	TOLERANCES: XX ± 0.02 XXX ± 0.005 FRACTIONS ± 1/16 SURFACE ± 3/32 DIA. Ø ± .005 ANGLES ± 1/2° QTY REQ'D	BEND-PAK 1645 LEMONWOOD DRIVE SANTA PAULA, CA 93060	
		BLUE BULLET	
		MAT'L:	
		DATE: 10/01/01	REV.
CAGE CODE ØA223	NEXT ASSY	SCALE:	BLUE BULLE



INDEX NO.	DESCRIPTION	PART NO.	Q'TY
-1	POWER BEAM	5210472	1
-2	POST	5210490	4
-3	CROSS TUBE	5210488	2
-4	RAMP	5210875	2
-5	POWER UNIT		1
-6	CYL.5 x70	5502155	1
-7	DRIVE UP RAMP	5210481	2
-8			
-9	ROLLER SHAFT	5746088	3
-10	1 1/4x4 CYL.PIN		1
-11	CYL.CHAIN CONN.	5746405	1
-12	SAFETY	5210486	4
-13	CROSS TUBE CONN.	5736335	2
-14	SHEAVE ROLLER	5575215	10
-15	1/2-13x2HHB	5530225	12
-16	1/2-13 HEX NUTS	5535160	12
-17	1/2 LOCK WASHERS	5545125	12
-18	3/4-10x2 HHB	5530215	4
-19	3/4-10 HEX NUT	5535155	4
-20	5/16-18x3/4 HHB	5530260	4
-21	5/16-18 HEX NUTS	5535165	4
-22	COTTER PIN 3/16x2 1/2	5505405	9
-23	C- SHIMS	5545535	25
-24	1 3/8 FLAT WASHER	5545163	7
-25	COTTER PIN 1/4x3	5505681	1
-26	5/16x2 DOWELL PIN	5505590	8

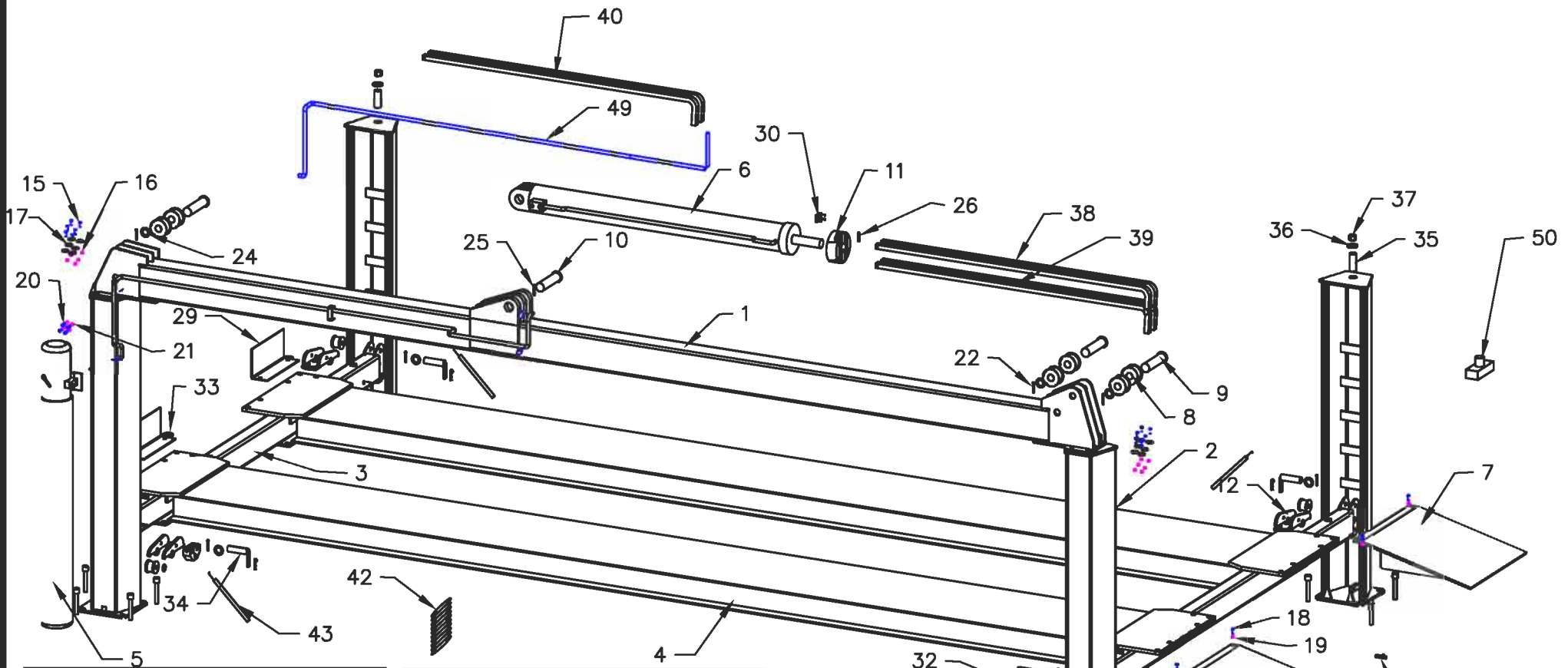
INDEX NO.	DESCRIPTION	PART NO.	Q'TY
-27	90°FIT.	5550134	1
-28	ANCHOR BOLTS 3/4x4 3/4	5530455	16
-29	TIRE STOPS	5700630	2
-30	BL-646 CONN. LINKS	5510320	2
-31	45 °FIT.6802-8-6	5550143	2
-32	HAIRPIN #203	5505335	12
-33	1/2 FLAT WASHER	5545180	4
-34	CROSS TUBE PIN	5505205	4
-35	CHAIN CONN.	5746325	2
-36	1 1/2 FLAT WASHERS	5545160	2
-37	1 1/2-12 NYLOCK NUT	5535125	2
-38	BL-646 336 3/4 LONG	5510450	2
-39	BL-646 104 1/4 LONG	5510370	2
-40	BL-646 213 3/4 LONG	5510470	2
-41	1/4 POLY HOSE 580 L.	5570795	1
-42	1/4 AIR BLUE HOSE	5570785	1
-43	AIR CYL.	5502320	4
-44	1/4 BELL REDUCER	5550405	2
-45	1/8 NPT NIPPLE	5550380	2
-46	BULK HEAD FITTING	5550370	1
-47	1/4" TO 3/8	5550132	1
-48	AIR VALVE	5590175	1
-49	1/2 HYD. HOSE 105° LG	5570845	2
-50	FLOW CONTROL	5590115	1
-51	FITTING 6405-6-6	5550142	1
-52			



 PROJECTION	TOLERANCES: XX ± 0.02 XXX ± 0.005 FRACTIONS ± 1/16 SURFACE 63 DIA. Ø ±.005 ANGLES ± 1/2°
	APPROVED
GAGE CODE ØA223	NEXT ASSY

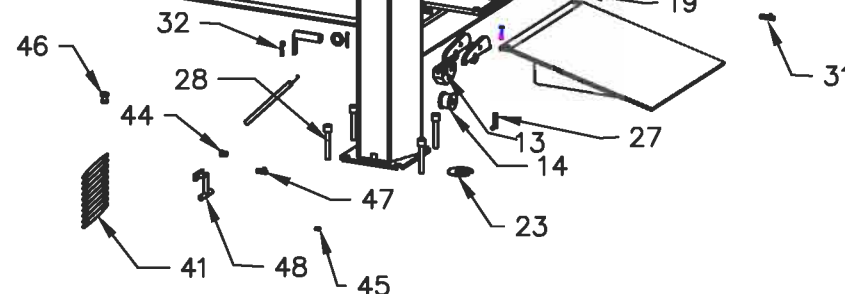
BEND-PAK 1645 LEMONWOOD DRIVE SANTA PAULA, CA 93060	
BP-27	
MAT'L:	DATE: 08/08/03
SCALE: 1/15	REV.
BP-27	BP-27

NOTES: UNLESS OTHERWISE SPECIFIED



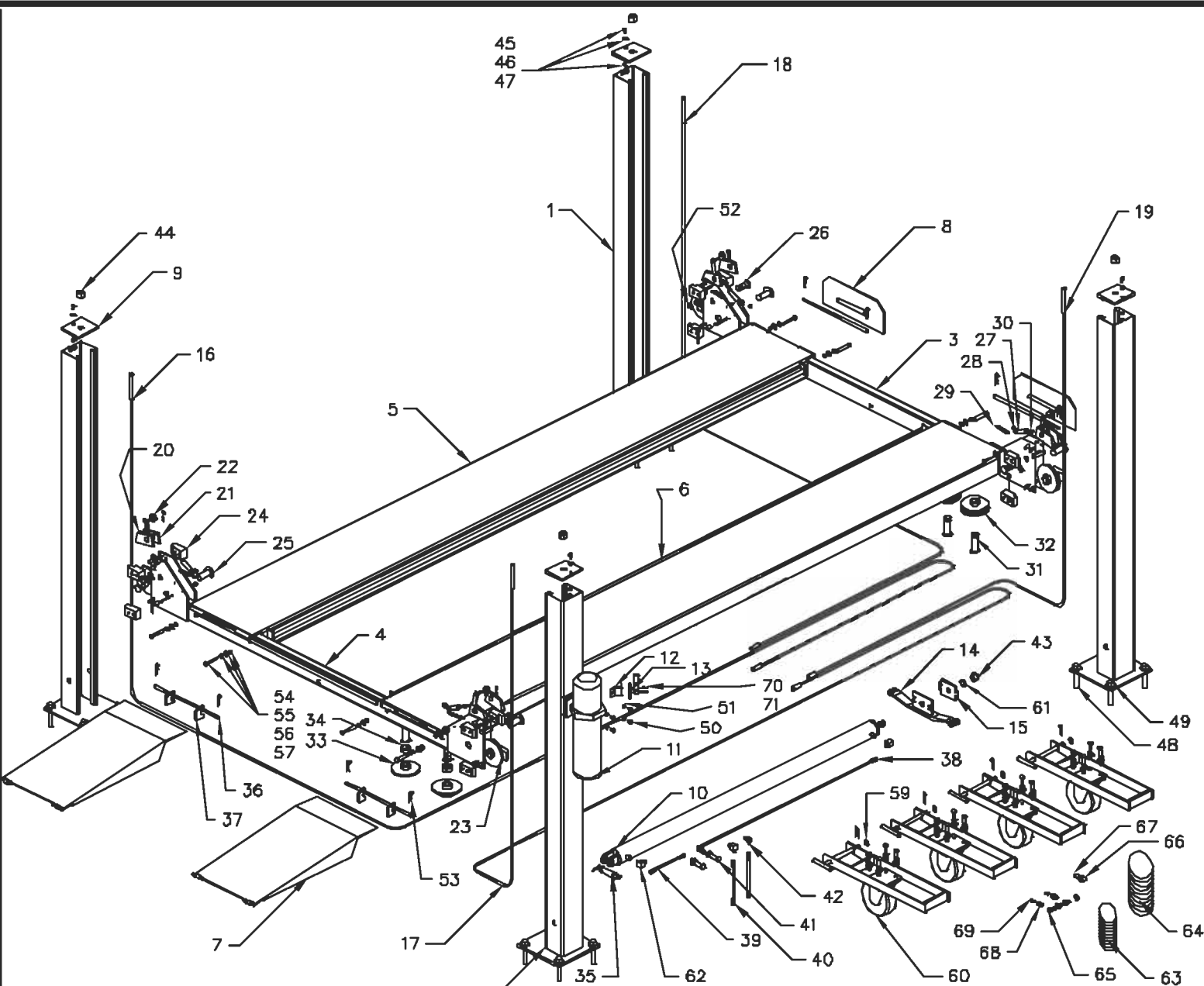
INDEX NO.	DESCRIPTION	PART NO.	Q'TY	INDEX NO.	DESCRIPTION	PART NO.	Q'TY
-1	POWER BEAM	5210582	1	-27	90° FITT.	5550134	1
-2	POST	5210754	4	-28	ANCHOR BOLTS 3/4x4 3/4	5530455	16
-3	CROSS TUBE	5210487	2	-29	TIRE STOPS	5700630	2
-4	RAMP	5210536	2	-30	BL-846 CONN. LINKS	5510320	2
-5	POWER UNIT		1	-31	45 ° FITT.6802-8-6	5550143	2
-6	CYL.5 1/2x70	5502160	1	-32	HAIRPIN #203	5505335	12
-7	DRIVE UP RAMP	5210818	2	-33	1/2 FLAT WASHER	5545180	4
-8	PWR.BEAM ROLLERS	5575405	6	-34	CROSS TUBE PIN	5505205	4
-9	ROLLER SHAFT	5746088	3	-35	CHAIN CONN.	5746325	2
-10	CYL.SHAFT	5746100	1	-36	1 1/2 FLAT WASHERS	5545160	2
-11	CYL.CHAIN CONN.	5746602	1	-37	1 1/2-12 NYLOCK NUT	5535125	2
-12	SAFETY	5210486	4	-38	BL-846 341 LONG	5510375	2
-13	CROSS TUBE CONN.	5761424	2	-39	BL-846 109 LONG	5510380	2
-14	CROSS TUBE ROLLER	5575215	4	-40	BL-846 213 3/4 LONG	5510480	2
-15	1/2-13x2HHB	5530225	12	-41	1/4 POLY HOSE 580 L.	5570795	1
-16	1/2-13 HEX NUTS	5535160	12	-42	1/4 AIR BLUE HOSE	5570785	1
-17	1/2 LOCK WASHERS	5545125	12	-43	AIR CYL.	5502320	4
-18	3/4-10x2 HHB	5530215	4	-44	1/4 BELL REDUCER	5550405	2
-19	3/4-10 HEX NUT	5535155	4	-45	1/8 NPT NIPPLE	5550380	2
-20	5/16-18x3/4 HHB	5530260	4	-46	BULK HEAD FITTING	5550370	1
-21	5/16-18 HEX NUTS	5535165	4	-47	1/4" T TO 3/8	5550132	1
-22	COTTER PIN 3/16x2 1/2	5505405	8	-48	AIR VALVE	5590175	1
-23	C- SHIMS	5545535	25	-49	1/2 HYD. HOSE 105° LG	5570845	2
-24	1 3/8 FLAT WASHER	5545163	7	-50	FLOW CONTROL	5590115	1
-25	COTTER PIN 1/4x3	5505681	1	-51	3/8 NPT 90° 1/2 NPT	5550114	1
-26	3/8x2 DOWELL PIN	5505605	8	-52			

NOTES: UNLESS OTHERWISE SPECIFIED



 PROJECTION APPROVED	 TOLERANCES: XX ± 0.02 XXX ± 0.005 FRACTIONS ± 1/16 SURFACE ± 3/32 DIA. Ø ± .005 ANGLES ± 1/2° QTY REQ'D	BEND-PAK 1645 LEMONWOOD DRIVE SANTA PAULA, CA 93060	
		BP35	
		MAT'L:	
		DATE: 08/08/03	REV.
GAGE CODE ØA223	NEXT ASSY	SCALE: 1/15	BP-35

#	ITEM NO.	DESCRIPTION	QTY
1.	5210287	OFFSIDE POST	3
2.	5210288	POWER SIDE POST	1
3.	5210292	CROSS TUBE 4-SHEAVE	1
4.	5210291	CROSS TUBE 2-SHEAVE	1
5.	5210284	OFFSIDE RAMP	1
6.	5210285	POWER SIDE RAMP	1
7.	5210294	APPROACH RAMP	2
8.	5210293	TIRE STOP ASSEMBLY	2
9.	5210815	POST TOP PLATE	4
10.	5502165	3"x70" CYLINDER	1
11.	5585079	POWER UNIT (AB-1466)	1
12.	5701190	AIR VALVE BRACKET	1
13.	5590175	AIR VALVE	1
14.	5210283	CYLINDER FLANGE ARM	1
15.	5731309	CABLE RETAINER PL.	1
16.	5595522	3/8" CABLE 341" LONG	1
17.	5595521	3/8" CABLE 285" LONG	1
18.	5595519	3/8" CABLE 178" LONG	1
19.	5595518	3/8" CABLE 122" LONG	1
20.	5210282	SAFETY #2	4
21.	5736821	SAFETY #1	4
22.	5575420	SLACK SAFETY SHEAVE	4
23.	5746607	SHEAVE ROLLER	4
24.	5716147	PLASTIC SLIDE BLOCK	16
25.	5505698	CR.TUBE SHEAVE AXLE	4
26.	5505699	SAFETY PIN	4
27.	5502195	AIR SAFETY CYLINDER	4
28.	5550410	1/8 NPT 90-DEG 1/4 BRASS FITT.	4
29.	5540145	3/4" x 4" SPRING	4
30.	5505625	1/4" FEMALE ROD END	4
31.	5505700	RAMP SHEAVE AXLE	4
32.	5746606	TWIN SHEAVE ROLLER	2
33.	5746607	SINGLE SHEAVE ROLLER	2
34.	5715364	RAMP SHEAVE SPACER	2
35.	5505695	1" x 3 1/2" CYL. PIN	1
36.	5746608	1/2" x 18 3/4" PIN	4
37.	5736622	APPROACH RAMP STOP	4
38.	5570735	1/4" HYDR HOSE 64' / 90-ST	1
39.	5570812	1/4" HYDR. HOSE 13' / ST-ST	1
40.	5570818	1/4" HYDR. HOSE 88' / ST-ST	2
41.	5550111	STR. FITT 2700-4-4	2
42.	5550103	90-DEG PWR UNIT FITT	1
43.	5535130	1-14 NYLOCK NUT	1
44.	5535997	5/8-11 NYLOCK NUT	4
45.	5530136	3/8-16 x 1 1/2" HEX BOLT	4
46.	5545130	3/8" LOCK WASHER	4
47.	5535170	3/8-16 HEX NUT	4
48.	5530455	3/4" x 4 3/4" ANCHDR BOLT	16
49.	5545535	C-SHIM	25
50.	5530260	5/16-18 x 3/4" HEX BOLT	4
51.	5535122	5/16-18 NYLOCK NUT	4
52.	5540275	E RING	8
53.	5505335	HAIRPIN CLIP	16
54.	5530221	1/2-13 x 3 1/2" HEX BOLT	8
55.	5545125	1/2" LOCK WASHER	24
56.	5545180	1/2" FLAT WASHER	24
57.	5535160	1/2-13 HEX NUT	24
58.	5530231	1/2-13 x 1 1/2" HEX BOLT	16
59.	5545170	3/4" FLAT WASHER	4
60.	5210997	CASTER KIT- OPTIONAL	4
61.	5545165	1" FLAT WASHER	1
62.	5550106	90-DEG FITT 2501-4-6	3
63.	5570785	COILED AIR HOSE	1
64.	5570795	1/4" POLY TUBING	1

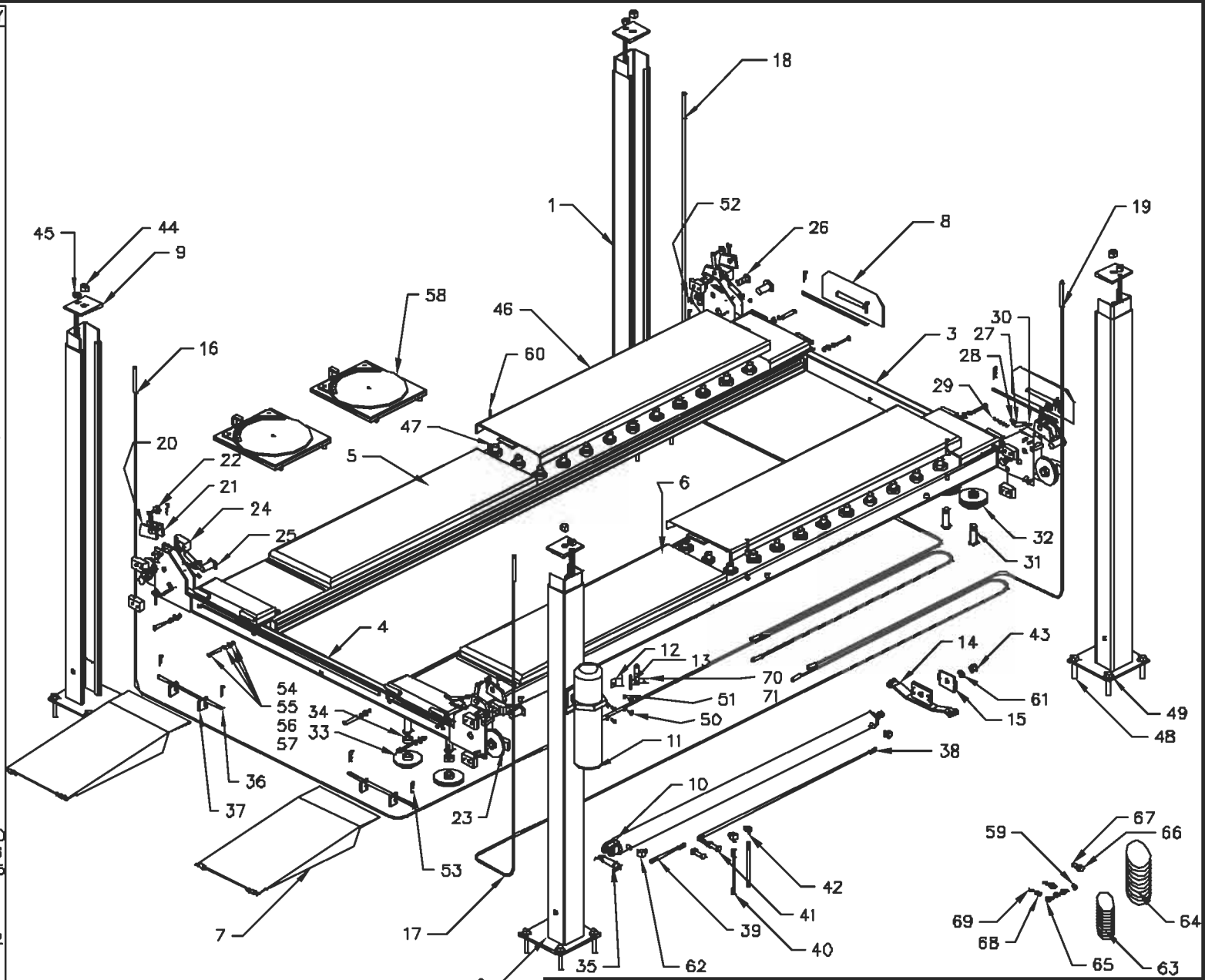


#	ITEM NO.	DESCRIPTION	QTY
24	5550395	1/4" UNION TEE FITTING	3
65	5550370	STR. BULKHEAD FITTING	1
66	5550371	1/4" POLY CONNECTOR	1
67	5550405	BELL REDUCER	2
68	5550380	1/8" x 1" CLOSE NIPPLE	2
69	5530117	6-32 x 1 1/2" SLOT HEAD SCREW	2
70	5535190	6-32 HEX NUT	2

NOTES: UNLESS OTHERWISE SPECIFIED

 PROJECTION APPROVED	TOLERANCES: XX ± 0.02 XXX ± 0.005 FRACTIONS & 1/16 SURFACE R _A DIA. ± 0.005 ANGLES ± 1/2" QTY REQ'D	BEND-PAK 1645 LEMONWOOD DRIVE SANTA PAULA, CA 93060	
		HD-9	
DATE: 0016 0A223	NEXT ASSY	MAT'L:	
		DATE: 10/14/04	REV.
SCALE: N/A			

#	ITEM NO.	DESCRIPTION	QTY
1.	5210280	OFFSIDE POST	3
2.	5210281	POWER SIDE POST	1
3.	5210292	CROSSTUBE 4-SHEAVE	1
4.	5210291	CROSSTUBE 2-SHEAVE	1
5.	5210279	OFFSIDE RAMP	1
6.	5210278	POWER SIDE RAMP	1
7.	5210277	APPROACH RAMP	2
8.	5210293	TIRE STOP ASSEMBLY	2
9.	5210794	POST TOP PLATE	4
10.	5502165	3"x70" CYLINDER	1
11.	5585079	POWER UNIT (AB-1466)	1
12.	5701190	AIR VALVE BRACKET	1
13.	5590175	AIR VALVE	1
14.	5210283	CYLINDER FLANGE ARM	1
15.	5731309	CABLE RETAINER PL.	1
16.	5595522	3/8" CABLE 341" LONG	1
17.	5595521	3/8" CABLE 285" LONG	1
18.	5595519	3/8" CABLE 178" LONG	1
19.	5595518	3/8" CABLE 122" LONG	1
20.	5210282	SAFETY #2	4
21.	5736821	SAFETY #1	4
22.	5575420	SLACK SAFETY SHEAVE	4
23.	5746607	SHEAVE ROLLER	4
24.	5716148	PLASTIC SLIDE BLOCK	16
25.	5505698	CR.TUBE SHEAVE AXLE	4
26.	5505699	SAFETY PIN	4
27.	5502195	AIR SAFETY CYLINDER	4
28.	5550410	1/8 NPT 90-DEG 1/4 BRASS FITT.	4
29.	5540145	3/4" x 4" SPRING	4
30.	5505625	1/4" FEMALE ROD END	4
31.	5505700	RAMP SHEAVE AXLE	4
32.	5746606	TWIN SHEAVE ROLLER	2
33.	5746607	SINGLE SHEAVE ROLLER	2
34.	5715364	RAMP SHEAVE SPACER	2
35.	5505695	1" x 3 1/2" CYL. PIN	1
36.	5746608	1/2" x 18 3/4" PIN	4
37.	5736622	APPROACH RAMP STOP	4
38.	5570735	1/4" HYDR HOSE 64"/ 90-ST	1
39.	5570812	1/4" HYDR. HOSE 13"/ ST-ST	1
40.	5570818	1/4" HYDR. HOSE 88"/ ST-ST	2
41.	5550111	STR. FITT 2700-4-4	2
42.	5550103	90-DEG PWR UNIT FITT	1
43.	5535130	1-14 NYLOCK NUT	1
44.	5535997	5/8-11 NYLOCK NUT	4
45.	5535155	3/4-10 HEX NUT	4
46.	5210276	SLIP PLATE	2
47.	5575375	CASTERS	60
48.	5530455	3/4" x 4 3/4" ANCHDR BOLT	16
49.	5545535	C-SHIM	25
50.	5530260	5/16-18 x 3/4" HEX BOLT	4
51.	5535122	5/16-18 NYLOCK NUT	4
52.	5540275	E RING	8
53.	5505335	HAIRPIN CLIP	12
54.	5530221	1/2-13 x 3 1/2" HEX BOLT	8
55.	5545125	1/2" LOCK WASHER	8
56.	5545180	1/2" FLAT WASHER	8
57.	5535160	1/2-13 HEX NUT	8
58.	5210437	TURNPLATE	2
59.	5545170	3/4" FLAT WASHER	1
60.	5505450	3/8" x 2 1/2" CLEVIS PIN	4
61.	5545165	1" FLAT WASHER	1
62.	5550106	90-DEG FITT 2501-4-6	3
63.	5570785	COILED AIR HOSE	1
64.	5570795	1/4" POLY TUBING	1



#	ITEM NO.	DESCRIPTION	QTY
65.	5550395	1/4" UNION TEE FITTING	3
66.	5550370	STR. BULKHEAD FITTING	1
67.	5550371	1/4" POLY CONNECTOR	1
68.	5550405	BELL REDUCER	2
69.	5550380	1/8" x 1" CLOSE NIPPLE	2
70.	5530117	6-32 x 1 1/2" SLOT HEAD SCREW	2
71.	5535190	6-32 HEX NUT	2

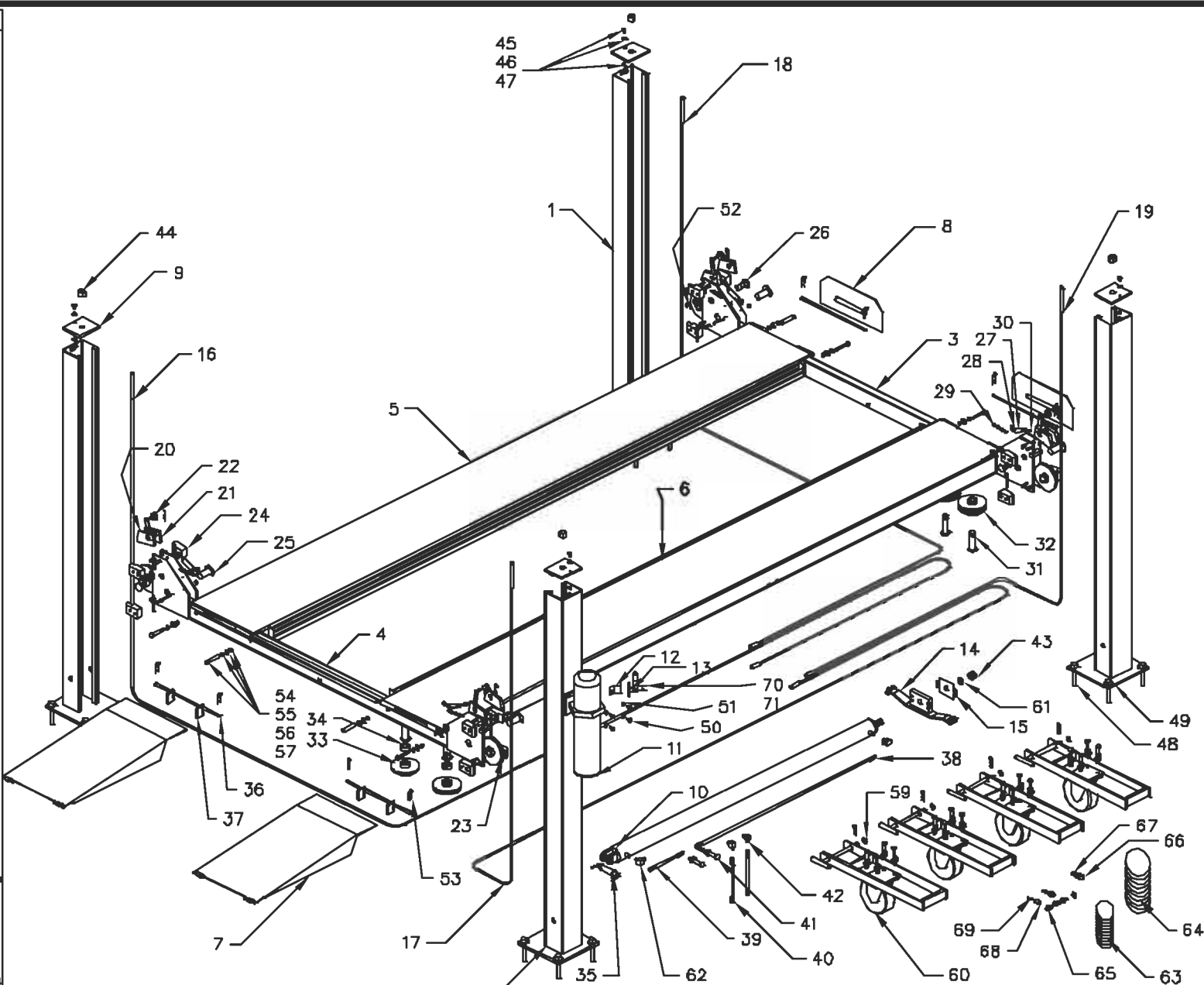
NOTES: UNLESS OTHERWISE SPECIFIED

 PROJECTION APPROVED	 TOLERANCES: XX ± 0.02 XXX ± 0.005 FRACTIONS & 1/16 SURFACE RY DIA. ± 0.005 ANGLES ± 1/2° QTY RND'D	BEND-PAK 1645 LEMONWOOD DRIVE SANTA PAULA, CA 93060	
		HD-9A ALIGNMENT LIFT	
MAT'L:		DATE: 10/14/04 REV.	
SCALE: N/A			

DATE DDD
 0A223

NEXT ASSY

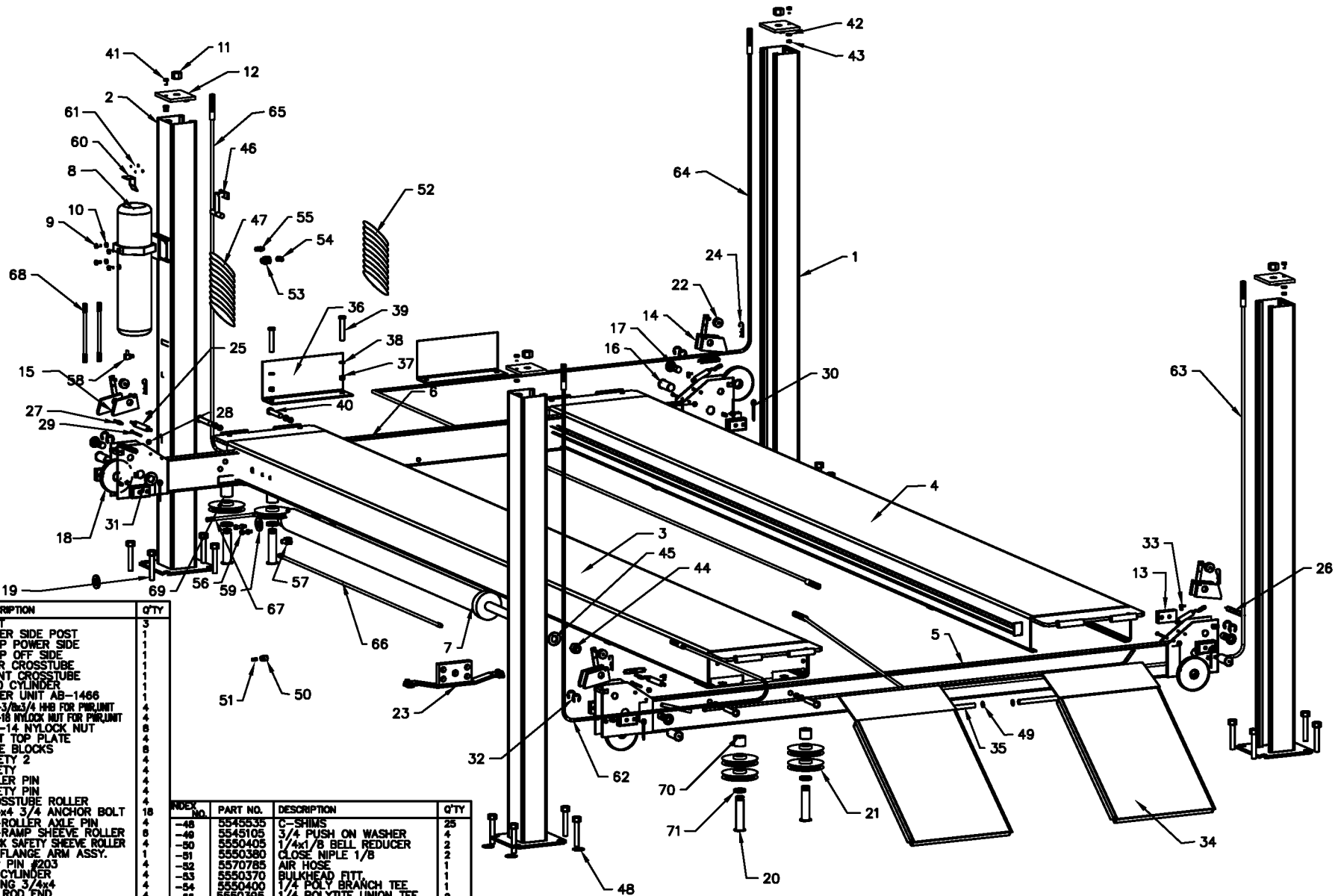
#	ITEM NO.	DESCRIPTION	QTY
1.	5210287	OFFSIDE POST	3
2.	5210288	POWER SIDE POST	1
3.	5210290	CROSSTUBE 4-SHEAVE	1
4.	5210289	CROSSTUBE 2-SHEAVE	1
5.	5210284	OFFSIDE RAMP	1
6.	5210285	POWER SIDE RAMP	1
7.	5210294	APPROACH RAMP	2
8.	5210293	TIRE STOP ASSEMBLY	2
9.	5210815	POST TOP PLATE	4
10.	5502165	3"x70" CYLINDER	1
11.	5585079	POWER UNIT (AB-1466)	1
12.	5701190	AIR VALVE BRACKET	1
13.	5590175	AIR VALVE	1
14.	5210283	CYLINDER FLANGE ARM	1
15.	5731309	CABLE RETAINER PL.	1
16.	5595527	3/8" CABLE 333" LONG	1
17.	5595526	3/8" CABLE 277" LONG	1
18.	5595524	3/8" CABLE 170" LONG	1
19.	5595523	3/8" CABLE 114" LONG	1
20.	5210282	SAFETY #2	4
21.	5736821	SAFETY #1	4
22.	5575420	SLACK SAFETY SHEAVE	4
23.	5746607	SHEAVE ROLLER	4
24.	5716147	PLASTIC SLIDE BLOCK	16
25.	5505698	CR.TUBE SHEAVE AXLE	4
26.	5505699	SAFETY PIN	4
27.	5502195	AIR SAFETY CYLINDER	4
28.	5550410	1/8 NPT 90-DEG 1/4 BRASS FITT.	4
29.	5540145	3/4" x 4" SPRING	4
30.	5505625	1/4" FEMALE ROD END	4
31.	5505700	RAMP SHEAVE AXLE	4
32.	5746606	TWIN SHEAVE ROLLER	2
33.	5746607	SINGLE SHEAVE ROLLER	2
34.	5715364	RAMP SHEAVE SPACER	2
35.	5505695	1" x 3 1/2" CYL. PIN	1
36.	5746608	1/2" x 18 3/4" PIN	4
37.	5736622	APPROACH RAMP STOP	4
38.	5570735	1/4" HYDR HOSE 64' / 90-ST	1
39.	5570812	1/4" HYDR. HOSE 13' / ST-ST	1
40.	5570818	1/4" HYDR. HOSE 88' / ST-ST	2
41.	5550111	STR. FITT 2700-4-4	2
42.	5550103	90-DEG PWR UNIT FITT	1
43.	5535130	1-14 NYLOCK NUT	1
44.	5535997	5/8-11 NYLOCK NUT	4
45.	5530136	3/8-16 x 1 1/2" HEX BOLT	4
46.	5545130	3/8" LOCK WASHER	4
47.	5535170	3/8-16 HEX NUT	4
48.	5530455	3/4" x 4 3/4" ANCHDR BOLT	16
49.	5545535	C-SHIM	25
50.	5530260	5/16-18 x 3/4" HEX BOLT	4
51.	5535122	5/16-18 NYLOCK NUT	4
52.	5540275	E RING	8
53.	5505335	HAIRPIN CLIP	16
54.	5530221	1/2-13 x 3 1/2" HEX BOLT	8
55.	5545125	1/2" LOCK WASHER	24
56.	5545180	1/2" FLAT WASHER	24
57.	5535160	1/2-13 HEX NUT	3
58.	5530231	1/2-13 x 1 1/2" HEX BOLT	16
59.	5545170	3/4" FLAT WASHER	4
60.	5210997	CASTER KIT- OPTIONAL	4
61.	5545165	1" FLAT WASHER	1
62.	5550106	90-DEG FITT 2501-4-6	3
63.	5570785	COILED AIR HOSE	1
64.	5570795	1/4" POLY TUBING	1



#	ITEM NO.	DESCRIPTION	QTY	
24	65.	5550395	1/4" UNION TEE FITTING	3
57	66.	5550370	STR. BULKHEAD FITTING	1
58	67.	5550371	1/4" POLY CONNECTOR	1
59	68.	5550405	BELL REDUCER	2
60	69.	5550380	1/8" x 1" CLOSE NIPPLE	2
62.	70.	5530117	6-32 x 1 1/2" SLOT HEAD SCREW	2
63.	71.	5535190	6-32 HEX NUT	2

NOTES: UNLESS OTHERWISE SPECIFIED

 PROJECTION APPROVED	TOLERANCES: XX ± 0.02 XXX ± 0.005 FRACTIONS & 1/16 SUBSTITUTED BY DIA. Ø ± 0.005 ANGLES ± 1/2" QTY ROUNDED	BEND-PAK 1645 LEMONWOOD DRIVE SANTA PAULA, CA 93060	
		HD-9ST	
DATE: 10/14/04		REV.	
SCALE: N/A			



INDEX NO.	PART NO.	DESCRIPTION	QTY
-1	5210780	POST	3
-2	5210785	POWER SIDE POST	1
-3	5210787	RAMP POWER SIDE	1
-4	5210814	RAMP OFF SIDE	1
-5	5210785	REAR CROSSTUBE	1
-6	5210786	FRONT CROSSTUBE	1
-7	5502165	3x70 CYLINDER	1
-8	5565078	POWER UNIT AB-1466	1
-9	5530260	5/16-3/8x3/4 HMB FOR PWR UNIT	4
-10	5535122	5/16-18 NYLOCK NUT FOR PWR UNIT	4
-11	5535149	7/8-14 NYLOCK NUT	4
-12	5210815	POST TOP PLATE	4
-13	5718100	SLIDE BLOCKS	4
-14	5210784	SAFETY 2	4
-15	5731280	SAFETY 1	4
-16	5505680	ROLLER PIN	4
-17	5505670	SAFETY PIN	4
-18	5575365	CROSSTUBE ROLLER	4
-19	5530455	3/4x4 3/4 ANCHOR BOLT	18
-20	5505675	HD-ROLLER AXLE PIN	4
-21	5575390	HD-RAMP SHEEVE ROLLER	4
-22	5575380	SLACK SAFETY SHEEVE ROLLER	4
-23	5210886	CYL FLANGE ARM ASSY.	1
-24	5505335	HAIR PIN #203	1
-25	5502195	AIR CYLINDER	1
-26	5540145	SPRING 3/4x4	4
-27	5505625	1/4 ROD END	4
-28	5535991	1/4-20 NYLOCK NUT	4
-29	5530705	1/4-20x 3 1/2 HEX HEAD BOLT	4
-30	5505405	3/16x2 1/2 COTTER PIN	4
-31	5545162	1 3/8 FLAT WASHER	4
-32	5540275	E-RING	8
-33	5504410	1/8 NPT 90° 1/4 TUBE BRASS FITT.	4
-34	5210842	DRIVE UP RAMP	2
-35	5745335	HINGE PIN	2
-36	5700630	TIRE STOPS	2
-37	5535180	1/2-13 HEX NUT	8
-38	5545125	1/2 LOCK WASHER	8
-39	5530225	1/2-13x2 HMB	4
-40	5530228	1/2-13x2 HMB	4
-41	5530138	3/8-18x1 1/2 HMB	4
-42	5545130	3/8 LOCK WASHER	4
-43	5535170	3/8-18 HAX NUT	4
-44	5545185	1 FLAT WASHER	1
-45	5545185	1 FLAT WASHER	1
-46	5560175	AIR VALVE	1
-47	5570785	BLUE AIR HOSE	1

INDEX NO.	PART NO.	DESCRIPTION	QTY
-48	5545535	C-SHIMS	25
-49	5545105	3/4 PUSH ON WASHER	4
-50	5550405	1/4x1/8 BELL REDUCER	2
-51	5550380	CLOSE NIPLE 1/8	2
-52	5570785	AIR HOSE	1
-53	5550370	BULKHEAD FITT.	1
-54	5550400	1/4 POLY BRANCH TEE	1
-55	5550395	1/4 POLYTITE UNION TEE	2
-56	5550111	1/4 STRAIGHT FITTING	2
-57	5550106	1/4x3/8 BR FITT.	3
-58	5550103	1/4 90° WITH "O" RING	1
-59	5545160	1/2 FLAT WASHER	8
-60	5701180	AIR VALVE BRKT.	1
-61	5530118	6-32x1 1/2 SLOT HEAD SCREW	2
-62	5595325	1/2 CABLE 152' LONG	1
-63	5595350	1/2 CABLE 215' 1/2' LONG	1
-64	5595330	1/2 CABLE 408' 1/2' LONG	1
-65	5595345	1/2 CABLE 345' 1/2' LONG	1
-66	5570785	LONG CYL HOSE 1/4x13"	1
-67	5570812	SHORT CYL HOSE 1/4x13"	1
-68	5570814	PWR UNIT HOSE 1/4x88' LONG	2
-69	5755658	3 SPACER	1
-70	5755659	1-9/16 SPACER	2
-71	5755661	5/16" SPACER	4
-72			
-73			
-74			
-75			

PROJECTION
 APPROVED

CAGE CODE
0A223

TOLERANCES:
 XX ± 0.02
 XXX ± 0.005
 FRACTIONS ± 1/16
 SURFACE 63
 DIA. Ø ±.005
 ANGLES ± 1/2°
 QTY REQ'D

NEXT ASSY

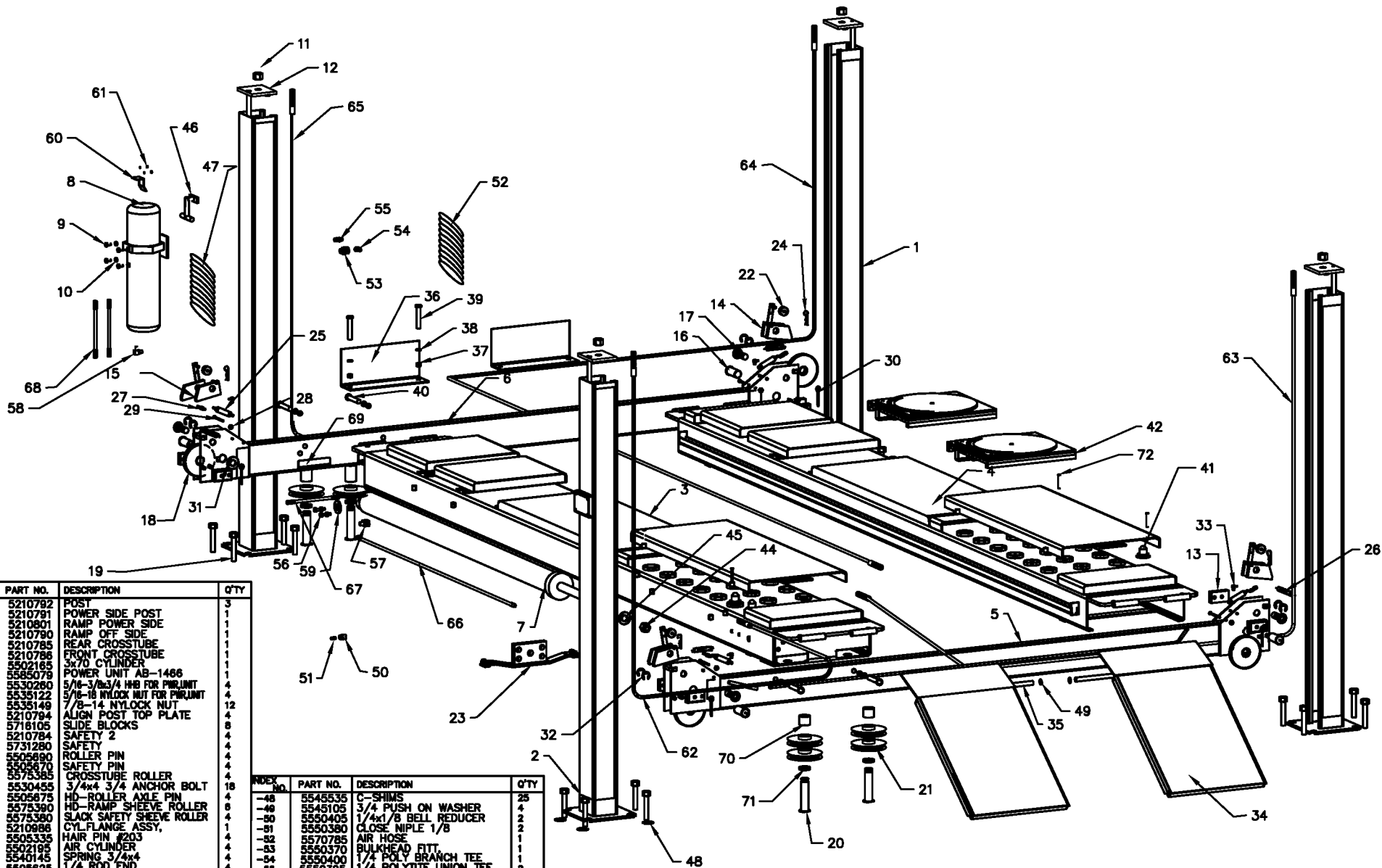
BEND-PAK 1645 LEMONWOOD DRIVE
SANTA PAULA, CA 93060

HD-12

MAT'L:

DATE: 03/18/04 | **REV.**
SCALE: | **HD-12**

NOTES: UNLESS OTHERWISE SPECIFIED



INDEX NO.	PART NO.	DESCRIPTION	Q'TY
-1	5210782	POST	3
-2	5210781	POWER SIDE POST	1
-3	5210801	RAMP POWER SIDE	1
-4	5210790	RAMP OFF SIDE	1
-5	5210785	REAR CROSSTUBE	1
-6	5210786	FRONT CROSSTUBE	1
-7	5502185	3x70 CYLINDER	1
-8	5585079	POWER UNIT AB-1466	1
-9	5530260	5/16-3/8x3/4 HHB FOR PWUNIT	4
-9	5535122	5/16-18 NYLOCK NUT FOR PWUNIT	4
-11	5535149	7/8-14 NYLOCK NUT	12
-12	5210794	ALIGN POST TOP PLATE	8
-13	5718105	SLIDE BLOCKS	4
-14	5210784	SAFETY 2	4
-15	5731280	SAFETY	4
-16	5505890	ROLLER PIN	4
-17	5505870	SAFETY PIN	4
-18	5575385	CROSSTUBE ROLLER	4
-18	5530455	3/4x4 3/4 ANCHOR BOLT	18
-20	5505875	HD-RAMP SHEAVE ROLLER	4
-21	5575390	HD-RAMP SHEAVE ROLLER	4
-22	5575380	SLACK SAFETY SHEAVE ROLLER	4
-23	5210986	CYL FLANGE ASSY,	1
-24	5505335	HAIR PIN #203	1
-25	5502185	AIR CYLINDER	1
-26	5540145	SPRING 3/4x4	4
-27	5505825	1/4 ROD END	4
-28	5535981	1/4-20 NYLOCK NUT	4
-29	5530705	1/4-20x 3 1/2 HEX HEAD BOLT	4
-30	5505405	3/16x2 1/2 COTTER PIN	4
-31	5545162	1 3/8 FLAT WASHER	4
-32	5505870	E-RING	8
-33	5505870	1/8 NPT 90° 1/4 TUBE BRASS FITT,	4
-34	5210841	DRIVE UP RAMP	2
-35	5745335	HINGE PIN	2
-36	5700630	TIRE STOPS	2
-37	5535160	1/2-13 HEX NUT	8
-38	5545125	1/2 LOCK WASHER	8
-39	5530225	1/2-13x2 HHB	4
-40	5575378	SC-108A CASTERS	4
-41	5575378	SC-108A CASTERS	4
-42	5210437	TURN PLATES	2
-43	5535130	1-14 NYLOCK NUT	1
-44	5505193	1 FLAT WASHER	1
-46	5505193	AIR VALVE	1
-47	5570785	BLUE AIR HOSE	1

INDEX NO.	PART NO.	DESCRIPTION	Q'TY
-48	5545535	C-SHIMS	25
-48	5545105	3/4 PUSH ON WASHER	4
-50	5550405	1/4x1/8 BELL REDUCER	2
-51	5550380	CLOSE NIPLE 1/8	1
-52	5570785	AIR HOSE	1
-53	5550370	BULKHEAD FITT,	1
-54	5550400	1/4 POLY BRANCH TEE	1
-55	5550385	1/4 POLY TITE UNION TEE	2
-56	5550111	1/4 STRAIGHT FITTING	2
-57	5550106	1/4x3/8 BRFIT	3
-58	5550103	1/4 90° WITH "O"RING	1
-58	5545180	1/2 FLAT WASHER	8
-60	5701180	AIR VALVE BRKT.	1
-61	5530116	6-32x1 1/2 SLOT HEAD SCREW	2
-62	5585355	1/2 CABLE 128" LONG	1
-63	5585390	1/2 CABLE 191 1/2" LONG	1
-64	5585375	1/2 CABLE 297 1/2" LONG	1
-65	5585365	1/2 CABLE 380 1/2" LONG	1
-66	5570830	LONG CYL HOSE 1/4x80	1
-67	5570824	SHORT CYL HOSE 1/4x80	1
-68	5570814	PWR. UNIT HOSE 1/4x80 LONG	2
-69	5755658	3" SPACER	2
-70	5755659	1-9/16" SPACER	2
-71	5755681	5/16" SPACER	2
-73	5505430	3/8x2-1/2 CLEVIS PIN	4

 PROJECTION APPROVED	 TOLERANCES: XX ± 0.02 XXX ± 0.005 FRACTIONS ± 1/16 SURFACE 32 DIA. Ø ± 0.005 ANGLES ± 1/2° QTY REQ'D

**BEND-PAK 1645 LEMONWOOD DRIVE
SANTA PAULA, CA 93060**

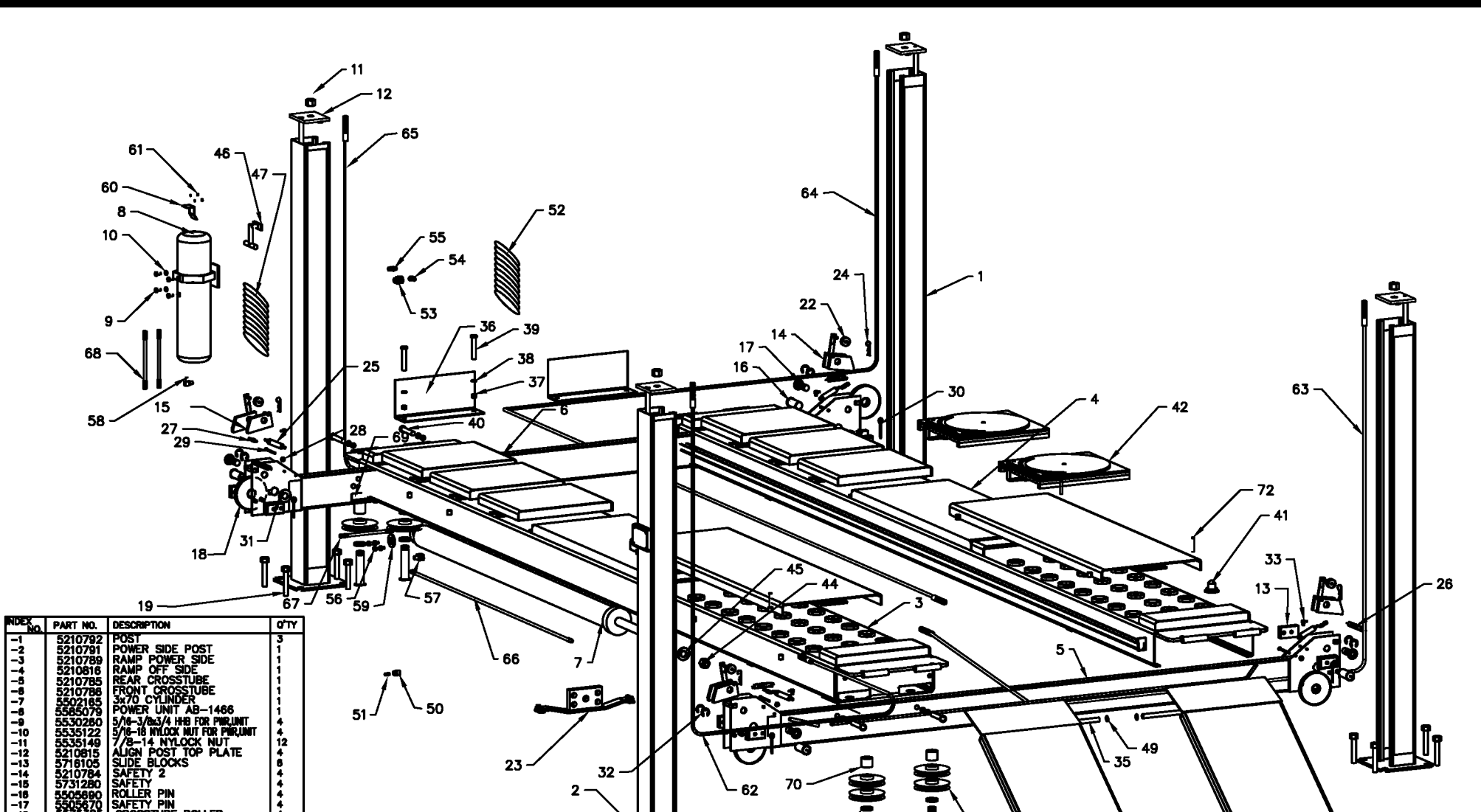
HD-12LS

MAT'L:

DATE: 03/18/04 | **REV.**

SCALE: | **HD-12LS**

NOTES: UNLESS OTHERWISE SPECIFIED



INDEX NO.	PART NO.	DESCRIPTION	Q'TY
-1	5210792	POST	3
-2	5210791	POWER SIDE POST	1
-3	5210789	RAMP POWER SIDE	1
-4	5210816	RAMP OFF SIDE	1
-5	5210785	REAR CROSSTUBE	1
-6	5210786	FRONT CROSSTUBE	1
-7	5502195	3x70 CYLINDER	1
-8	5505079	POWER UNIT AB-1466	1
-9	5530260	5/16-3/8x3/4 IHB FOR PWR UNIT	4
-10	5535122	5/16-18 NYLOCK NUT FOR PWR UNIT	4
-11	5535149	7/8-14 NYLOCK NUT	12
-12	5210815	ALIGN POST TOP PLATE	4
-13	5718105	SLIDE BLOCKS	4
-14	5210784	SAFETY 2	4
-15	5731280	SAFETY	4
-16	5505990	ROLLER PIN	4
-17	5505670	SAFETY PIN	4
-18	5575385	CROSSTUBE ROLLER	4
-19	5530455	3/4x4 3/4 ANCHOR BOLT	18
-20	5505675	HD-ROLLER AXLE PIN	4
-21	5575390	HD-RAMP SHEAVE ROLLER	4
-22	5575380	SLACK SAFETY SHEAVE ROLLER	4
-23	5210986	CYL FLANGE ARM ASSY.	1
-24	5505335	HAIR PIN #203	1
-25	5502195	AIR CYLINDER	1
-26	5540145	SPRING 3/4x4	4
-27	5505625	1/4 ROD END	4
-28	5535991	1/4-20 NYLOCK NUT	4
-29	5530705	1/4-20x 3/2 HEX HEAD BOLT	4
-30	5505405	3/16x2 1/2 COTTER PIN	4
-31	5545162	1 3/8 FLAT WASHER	4
-32	5540176	E-RING	8
-33	5540170	1/8 NPT 90° 1/4 TUBE BRASS FITT.	4
-34	5210841	DRIVE UP RAMP	2
-35	5745335	HINGE PIN	2
-36	5700630	TIRE STOPS	2
-37	5535180	1/2-13 HEX NUT	8
-38	5545125	1/2 LOCK WASHER	8
-39	5530225	1/2-13x2 IHB	4
-40	5575375	SC-108A CASTER	4
-41	5575375	SC-108A CASTER	4
-42	5210437	TURN PLATE	2
-43	5535130	1-14 NYLOCK NUT	1
-44	5545135	1 FLAT WASHER	1
-45	5500175	AIR VALVE	1
-46	5570785	BLUE AIR HOSE	1

INDEX NO.	PART NO.	DESCRIPTION	Q'TY
-48	5545535	C-SHIMS	25
-49	5545105	3/4 PUSH ON WASHER	4
-50	5550405	1/4x1/8 BELL REDUCER	2
-51	5550380	CLOSE NIPLE 1/8	2
-52	5570795	AIR HOSE	1
-53	5550370	BULKHEAD FITT.	1
-54	5550400	1/4 POLY BRANCH TEE	1
-55	5550395	1/4 POLYTITE UNION TEE	2
-56	5550111	1/4 STRAIGHT FITTING	2
-57	5550106	1/4x3/8 90FITTING	3
-58	5550103	1/4 90° WITH "O" RING	1
-59	5545190	1/2 FLAT WASHER	6
-60	5701190	AIR VALVE BRKT.	1
-61	5530116	8-32x1 1/2 SLOT HEAD SCREW	2
-62	5595325	1/2 CABLE 152" LONG	1
-63	5595350	1/2 CABLE 215 1/2" LONG	1
-64	5595330	1/2 CABLE 408 1/2" LONG	1
-65	5595345	1/2 CABLE 345 1/2" LONG	1
-66	5570735	LONG CYL HOSE 1/4x175"	1
-67	5570812	SHORT CYL HOSE 1/4x100"	1
-68	5570814	PWR. UNIT HOSE 1/4x88" LONG	2
-69	5755658	3" SPACER	1
-70	5755659	1-9/16" SPACER	2
-71	5755681	3/16" SPACER	2
-72	5505450	5/8x2-1/2 CLEVIS PIN	4

PROJECTION
 APPROVED

TOLERANCES:
 XX ± 0.02
 XXX ± 0.005
 FRACTIONS ± 1/16
 SURFACE $\frac{32}{\sqrt{}}$
 DIA. ϕ ± 0.005
 ANGLES ± 1/2°
 QTY REQ'D

CAGE CODE
0A223

NEXT ASSY

BEND-PAK 1645 LEMONWOOD DRIVE
SANTA PAULA, CA 93060

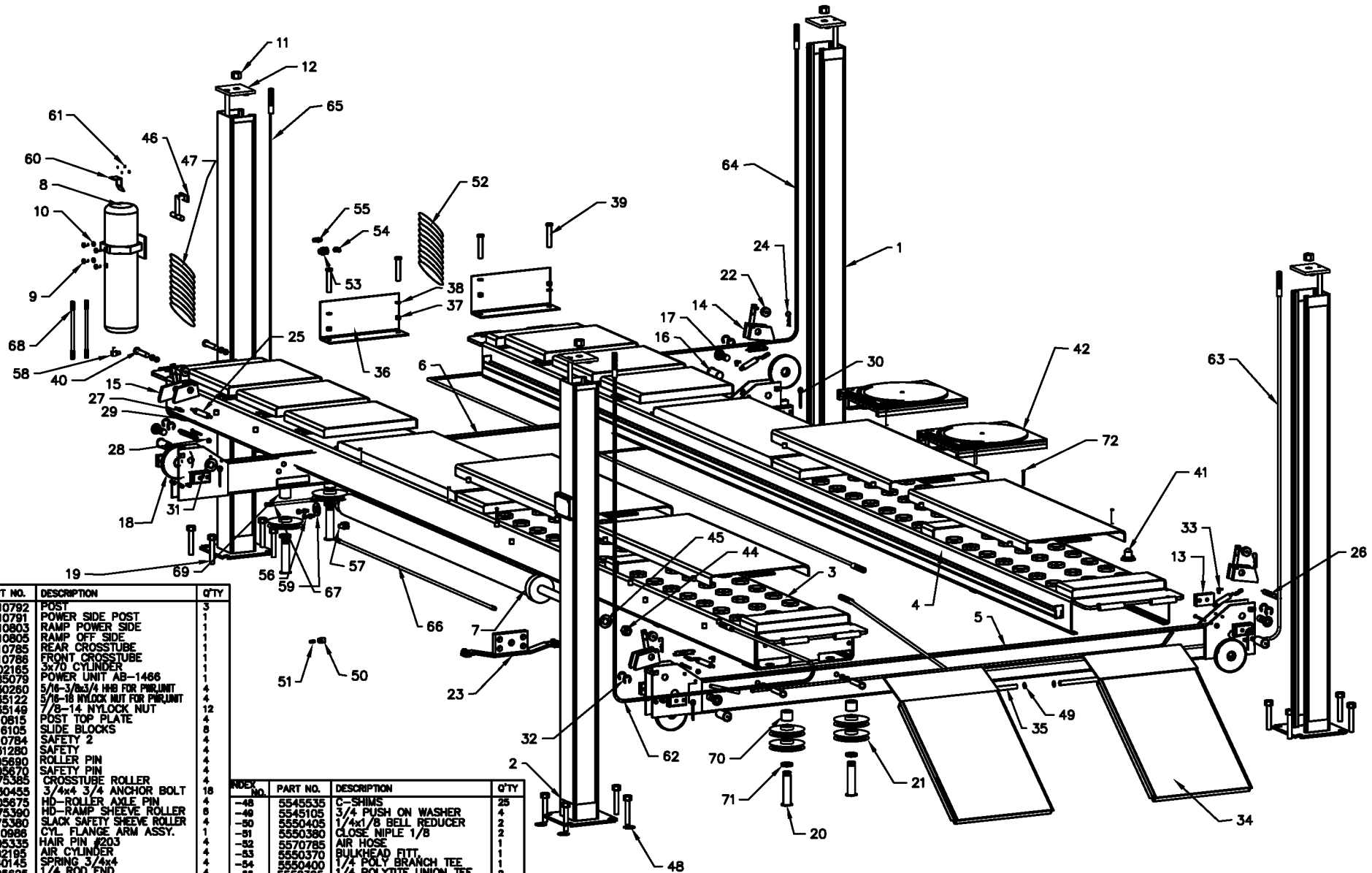
HD-12LSX

MAT'L:

DATE: 03/18/04 | **REV.**

SCALE: | **HD-12LSX**

NOTES: UNLESS OTHERWISE SPECIFIED



INDEX NO.	PART NO.	DESCRIPTION	Q'TY
-1	5210782	POST	3
-2	5210781	POWER SIDE POST	1
-3	5210803	RAMP POWER SIDE	1
-4	5210805	RAMP OFF SIDE	1
-5	5210785	REAR CROSSTUBE	1
-6	5210786	FRONT CROSSTUBE	1
-7	5502165	3x70 CYLINDER	1
-8		POWER UNIT AB-1466	1
-9	5530579	5/16-3/8x3/4 HHB FOR PWR UNIT	4
-10	5535122	5/16-18 NYLOCK NUT FOR PWR UNIT	4
-11	5535148	7/8-14 NYLOCK NUT	12
-12	5210815	POST TOP PLATE	4
-13	5716105	SLIDE BLOCKS	8
-14	5210784	SAFETY 2	4
-15	5731280	SAFETY	4
-16	5505690	ROLLER PIN	4
-17	5505670	SAFETY PIN	4
-18	5575385	CROSSTUBE ROLLER	4
-19	5530455	3/4x4 3/4 ANCHOR BOLT	18
-20	5505675	HD-ROLLER AXLE PIN	4
-21	5575390	HD-RAMP SHEEVE ROLLER	4
-22	5575380	SLACK SAFETY SHEEVE ROLLER	4
-23	5210866	CYL FLANGE ARM ASSY.	1
-24	5505335	HAIR PIN #203	4
-25	5502185	AIR CYLINDER	1
-26	5540145	SPRING 3/4x4	4
-27	5505625	1/4 ROD END	4
-28	5535691	1/4-20 NYLOCK NUT	4
-29	5530705	1/4-20x 3/2 HEX HEAD BOLT	4
-30	5505405	3/16x2 1/2 COTTER PIN	4
-31	5545182	1 3/8 FLAT WASHER	4
-32	5505370	E-RING	8
-33	5505370	1/8 NPT 90° 1/4 TUBE BRASS FITT.	4
-34	5210841	DRIVE UP RAMP	2
-35	5745335	HINGE PIN	2
-36	5700630	TIRE STOPS	2
-37	5535160	1/2-13 HEX NUT	8
-38	5545125	1/2 LOCK WASHER	8
-39	5530225	1/2-13x2 HHB	4
-40	5530225	1/2-13x2 HHB	4
-41	5575378	SC-108A CASTERS	84
-42	5210437	TURN PLATES	2
-43	5535130	1-14 NYLOCK NUT	1
-44	5545125	1 FLAT WASHER	1
-45	5501775	AIR VALVE	1
-46	5501775	AIR VALVE	1
-47	5570785	BLUE AIR HOSE	1

INDEX NO.	PART NO.	DESCRIPTION	Q'TY
-48	5545535	C-SHIMS	25
-49	5545105	3/4 PUSH ON WASHER	4
-50	5550405	1/4x1/8 BELL REDUCER	2
-51	5550380	CLOSE NIPLE 1/8	2
-52	5570785	AIR HOSE	1
-53	5550370	BULKHEAD FITT.	1
-54	5550400	1/4 POLY BRANCH TEE	1
-55	5550395	1/4 POLYTITE UNION TEE	2
-56	5550111	1/4 STRAIGHT FITTING	2
-57	5550106	1/4x3/8 BR FITT.	3
-58	5550103	1/4 90° WITH "O" RING	1
-59	5545180	1/2 FLAT WASHER	6
-60	5701190	AIR VALVE BRKT.	1
-61	5530118	6-32x1 1/2 SLOT HEAD SCREW	2
-62	5595395	1/2 CABLE 200' LONG	1
-63	5595380	1/2 CABLE 263 1/2 LONG	1
-64	5595370	1/2 CABLE 441 1/2 LONG	1
-65	5595360	1/2 CABLE 502 1/2 LONG	1
-66	5570828	LONG CYL HOSE 1/4x223	1
-67	5570828	SHORT CYL HOSE 1/4x148	1
-68	5570814	PWR. UNIT HOSE 1/4x88 LONG	2
-69	5755658	3" SPACER	1
-70	5755659	1-9/16" SPACER	2
-71	5755661	5/16" SPACER	2
-72	5505430	3/8x2-1/2 CLEVIS PIN	6

 PROJECTION APPROVED	TOLERANCES: XX ± 0.02 XXX ± 0.005 FRACTIONS ± 1/16 SURFACE 63 DIA. Ø ± 0.005 ANGLES ± 1/2°
	QTY REQ'D
CAGE CODE ØA223	NEXT ASSY

**BEND-PAK 1645 LEMONWOOD DRIVE
SANTA PAULA, CA 93060**

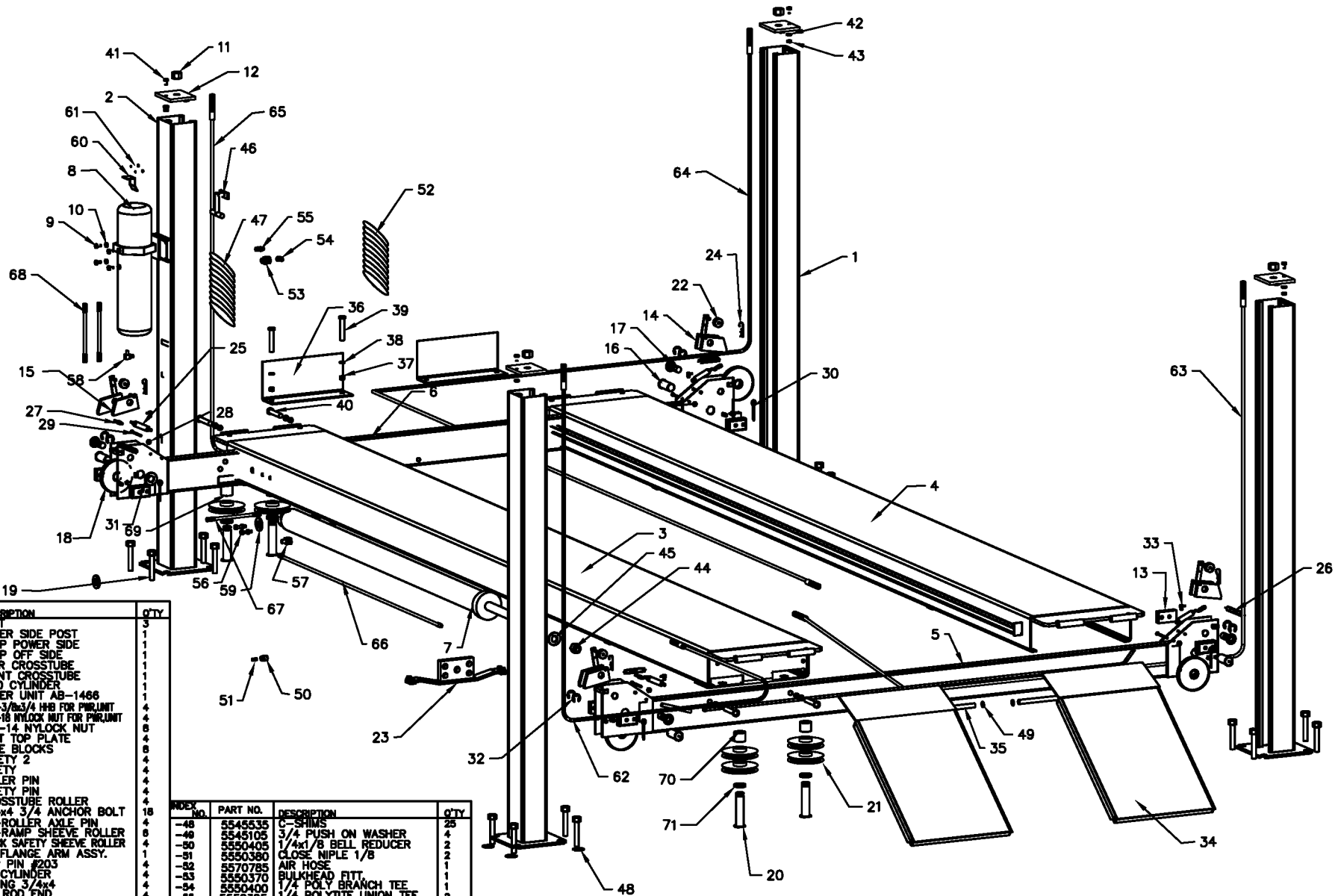
HD-12LSXE

MAT'L:

DATE: 03/18/04 | **REV.**

SCALE: | **HD-12LSXE**

NOTES: UNLESS OTHERWISE SPECIFIED

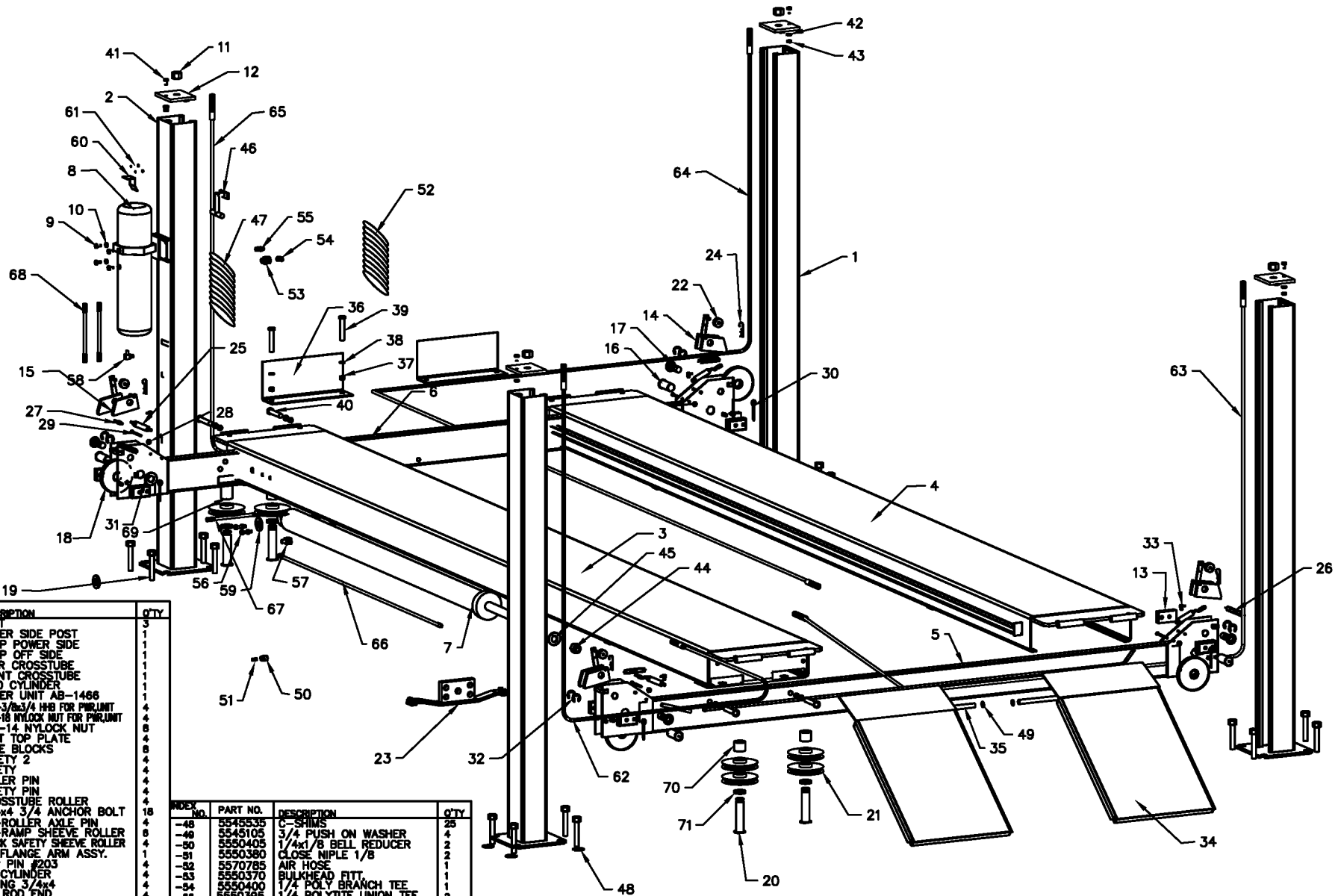


INDEX NO.	PART NO.	DESCRIPTION	QTY
-1	5210780	POST	3
-2	5210785	POWER SIDE POST	1
-3	5210797	RAMP POWER SIDE	1
-4	5210798	RAMP OFF SIDE	1
-5	5210785	REAR CROSSTUBE	1
-6	5210786	FRONT CROSSTUBE	1
-7	5502185	3x70 CYLINDER	1
-8	5535079	POWER UNIT AB-1466	1
-9	5530260	5/16-3/8x3/4 HHB FOR PWR UNIT	4
-10	5535122	5/16-18 NYLOCK NUT FOR PWR UNIT	4
-11	5535149	7/8-14 NYLOCK NUT	4
-12	5210815	POST TOP PLATE	4
-13	5718100	SLIDE BLOCKS	4
-14	5210784	SAFETY 2	4
-15	5731280	SAFETY 1	4
-16	5505890	ROLLER PIN	4
-17	5505870	SAFETY PIN	4
-18	5575385	CROSSTUBE ROLLER	4
-19	5530455	3/4x4 3/4 ANCHOR BOLT	18
-20	5505875	HD-ROLLER AXLE PIN	4
-21	5575390	HD-RAMP SHEEVE ROLLER	4
-22	5575380	SLACK SAFETY SHEEVE ROLLER	4
-23	5210986	CYL FLANGE ARM ASSY.	1
-24	5505335	HAIR PIN #203	1
-25	5502185	AIR CYLINDER	1
-26	5540145	SPRING 3/4x4	4
-27	5505825	1/4 ROD END	4
-28	5535981	1/4-20 NYLOCK NUT	4
-29	5530705	1/4-20x 3 1/2 HEX HEAD BOLT	4
-30	5505405	3/16x2 1/2 COTTER PIN	4
-31	5545162	1 3/8 FLAT WASHER	4
-32	5530775	E-RING	8
-33	5530770	1/8 NPT 90° 1/4 TUBE BRASS FITT.	4
-34	5210842	DRIVE UP RAMP	2
-35	5745335	HINGE PIN	2
-36	5700630	TIRE STOPS	2
-37	5535180	1/2-13 HEX NUT	8
-38	5545125	1/2 LOCK WASHER	8
-39	5530225	1/2-13x2 HHB	4
-40	5530138	1/2-13x2 1/2 HHB	4
-41	5530138	3/8-18x1 1/2 HHB	4
-42	5545130	3/8 LOCK WASHER	4
-43	5545170	3/8-18 HEX NUT	4
-44	5535130	1/2 NYLOCK NUT	1
-45	5545130	1 FLAT WASHER	1
-46	5545192	AIR VALVE	1
-47	5570785	BLUE AIR HOSE	1

INDEX NO.	PART NO.	DESCRIPTION	QTY
-48	5545535	C-SHIMS	25
-49	5545105	3/4 PUSH ON WASHER	4
-50	5550405	1/4x1/8 BELL REDUCER	2
-51	5550380	CLOSE NIPLE 1/8	2
-52	5570785	AIR HOSE	1
-53	5530370	BULKHEAD FITT.	1
-54	5550400	1/4 POLY BRANCH TEE	1
-55	5550385	1/4 POLY TITE UNION TEE	2
-56	5550111	1/4 STRAIGHT FITTING	2
-57	5550106	1/4x3/8 90FIT	3
-58	5550103	1/4 90° WITH "O" RING	1
-59	5545180	1/2 FLAT WASHER	6
-60	5701190	AIR VALVE BRKT.	1
-61	5530116	6-32x1 1/2 SLOT HEAD SCREW	2
-62	5585355	1/2 CABLE 128" LONG	1
-63	5585390	1/2 CABLE 191 1/2" LONG	1
-64	5585375	1/2 CABLE 297 1/2" LONG	1
-65	5585365	1/2 CABLE 380 1/2" LONG	1
-66	5570785	LONG CYL HOSE 1/4x83"	1
-67	5570612	SHORT CYL HOSE 1/4x13"	1
-68	5570614	PWR UNIT HOSE 1/4x88" LONG	2
-69	5755858	3 SPACER	1
-70	5755859	L-2 1/8 SPACER	2
-71	5755861	5/16 SPACER	4
-72			
-73			
-74			
-75			

NOTES: UNLESS OTHERWISE SPECIFIED

 PROJECTION APPROVED	TOLERANCES: XX ± 0.02 XXX ± 0.005 FRACTIONS ± 1/16 SURFACE 63/ DIA. Ø ± .005 ANGLES ± 1/2° QTY REQ'D	BEND-PAK 1645 LEMONWOOD DRIVE SANTA PAULA, CA 93060	
		HD-12SS	
CAGE CODE ØA223	NEXT ASSY	MAT'L:	
		DATE: 03/18/04	REV.
SCALE:		HD-12SS	



INDEX NO.	PART NO.	DESCRIPTION	QTY
-1	5210780	POST	3
-2	5210795	POWER SIDE POST	1
-3	5210799	RAMP POWER SIDE	1
-4	5210798	RAMP OFF SIDE	1
-5	5210785	REAR CROSSTUBE	1
-6	5210786	FRONT CROSSTUBE	1
-7	5502165	3x70 CYLINDER	1
-8	5565079	POWER UNIT AB-1466	1
-9	5530260	5/16-3/8x3/4 HHB FOR PWR UNIT	4
-10	5535122	5/16-18 NYLOCK NUT FOR PWR UNIT	4
-11	5535149	7/8-14 NYLOCK NUT	4
-12	5210815	POST TOP PLATE	4
-13	5718100	SLIDE BLOCKS	4
-14	5210784	SAFETY 2	4
-15	5731280	SAFETY 2	4
-16	5505690	ROLLER PIN	4
-17	5505670	SAFETY PIN	4
-18	5575365	CROSSTUBE ROLLER	4
-19	5530455	3/4x4 3/4 ANCHOR BOLT	18
-20	5505675	HD-ROLLER AXLE PIN	4
-21	5575390	HD-RAMP SHEEVE ROLLER	4
-22	5575380	SLACK SAFETY SHEEVE ROLLER	4
-23	5210986	CYL FLANGE ARM ASSY.	1
-24	5505335	HAIR PIN #203	1
-25	5502195	AIR CYLINDER	1
-26	5540145	SPRING 3/4x4	4
-27	5505625	1/4 ROD END	4
-28	5535991	1/4-20 NYLOCK NUT	4
-29	5530705	1/4-20x 3 1/2 HEX HEAD BOLT	4
-30	5505405	3/16x2 1/2 COTTER PIN	4
-31	5545192	1 3/8 FLAT WASHER	4
-32	5540275	E-RING	8
-33	5550410	1/8 NPT 90° 1/4 TUBE BRASS FITT.	4
-34	5210842	DRIVE UP RAMP	2
-35	5745335	HINGE PIN	2
-36	5700630	TIRE STOPS	2
-37	5535180	1/2-13 HEX NUT	8
-38	5545125	1/2 LOCK WASHER	8
-39	5530225	1/2-13x2 HHB	4
-40	5530226	1/2-13x2 HHB	4
-41	5530136	3/8-18x1 1/2 HHB	4
-42	5545130	3/8 LOCK WASHER	4
-43	5535170	3/8-18 HEX NUT	4
-44	5543185	1 FLAT WASHER	1
-45	5560175	AIR VALVE	1
-47	5570785	BLUE AIR HOSE	1

INDEX NO.	PART NO.	DESCRIPTION	QTY
-48	5545535	C-SHIMS	25
-49	5545105	3/4 PUSH ON WASHER	4
-50	5550405	1/4x1/8 BELL REDUCER	2
-51	5550380	CLOSE NIPLE 1/8	2
-52	5570785	AIR HOSE	2
-53	5550370	BULKHEAD FITT.	1
-54	5550400	1/4 POLY BRANCH TEE	1
-55	5550395	1/4 POLYTITE UNION TEE	2
-56	5550111	1/4 STRAIGHT FITTING	3
-57	5550106	1/4x3/8 90FIT	2
-58	5550103	1/4 90° WITH "O" RING	3
-59	5545180	1/2 FLAT WASHER	1
-60	5701180	AIR VALVE BRKT.	6
-61	5530118	6-32x1 1/2 SLOT HEAD SCREW	1
-62	5595390	1/2 CABLE 200' LONG	1
-63	5595380	1/2 CABLE 263 1/2' LONG	1
-64	5595370	1/2 CABLE 441 1/2' LONG	1
-65	5595360	1/2 CABLE 502 1/2' LONG	1
-66	5570785	LONG CYL HOSE 1/4x63	1
-67	5570812	SHORT CYL HOSE 1/4x13	1
-68	5570814	PWR UNIT HOSE 1/4x88 LONG	2
-69	5755658	3 SPACER	1
-70	5755659	1-9/16 SPACER	2
-71	5755661	5/16 SPACER	2
-72			2
-73			2
-74			2
-75			4

 PROJECTION APPROVED	 TOLERANCES: XX ± 0.02 XXX ± 0.005 FRACTIONS ± 1/16 SURFACE 63/ DIA. Ø ±.005 ANGLES ± 1/2° QTY REQ'D

**BEND-PAK 1645 LEMONWOOD DRIVE
SANTA PAULA, CA 93060**

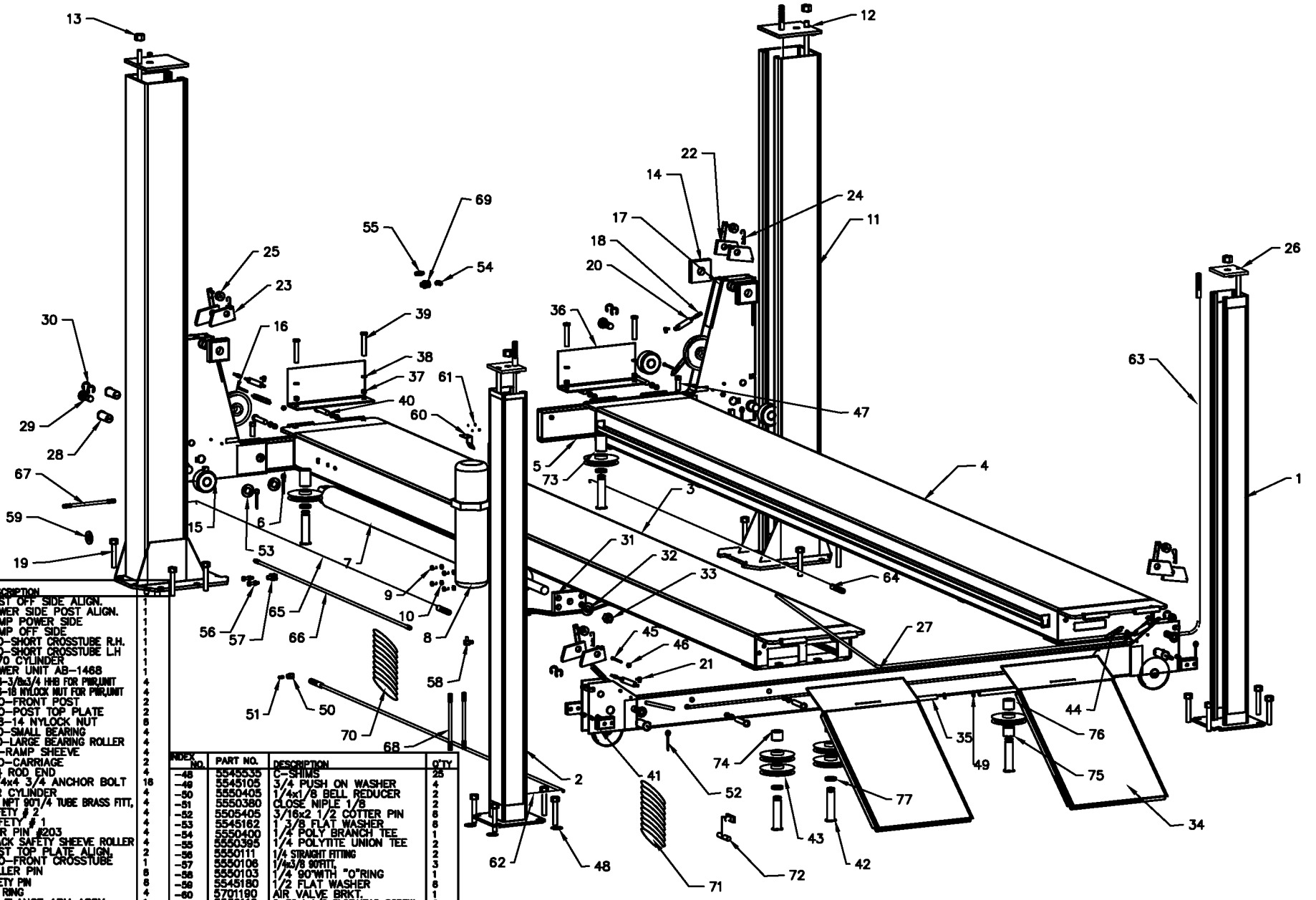
HD-12X

MAT'L:

DATE: 03/18/04 | **REV.**

SCALE: | **HD-12X**

NOTES: UNLESS OTHERWISE SPECIFIED

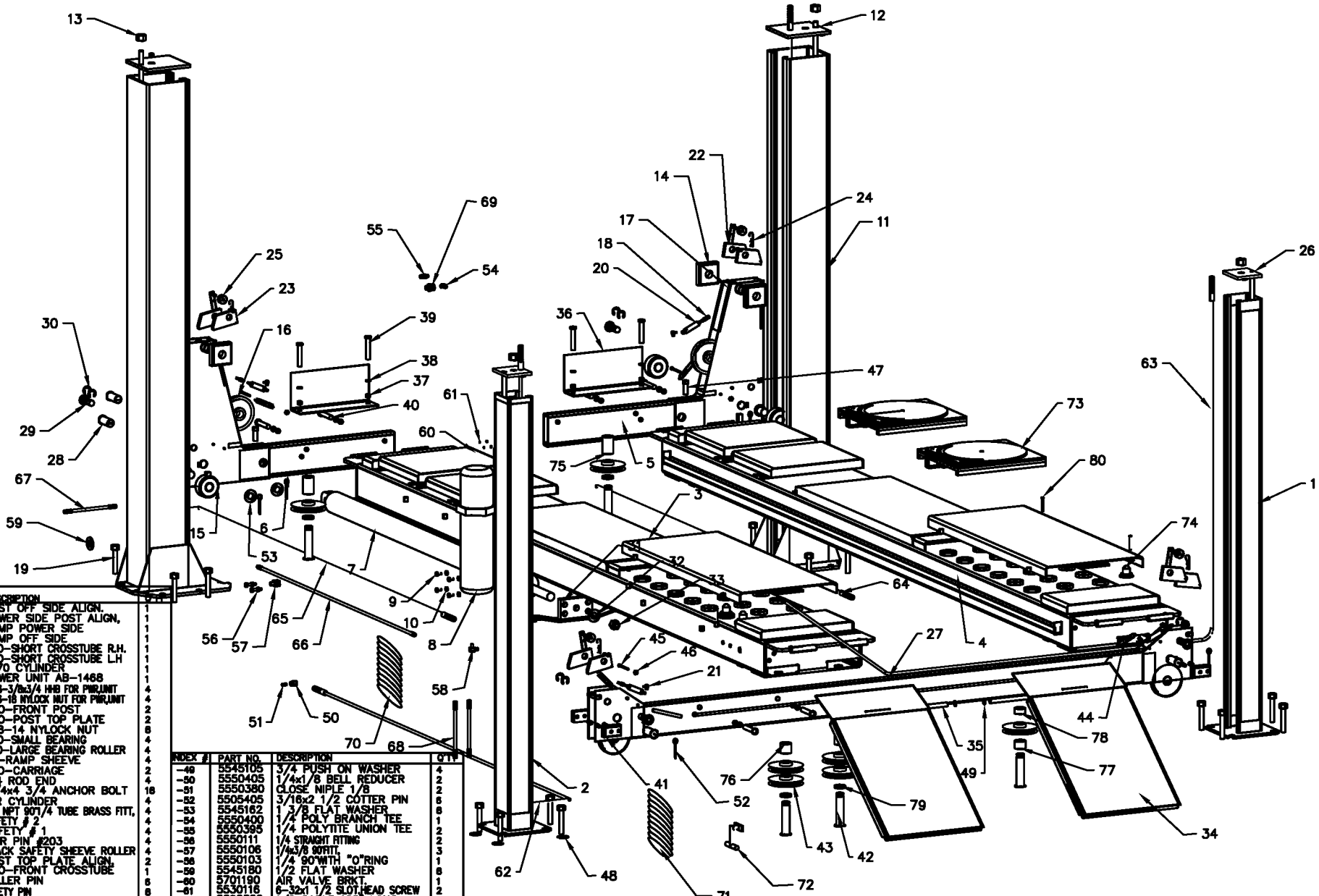


INDEX NO.	PART NO.	DESCRIPTION	QTY
-1	5210782	POST OFF SIDE ALIGN.	1
-2	5210791	POWER SIDE POST ALIGN.	1
-3	5210806	RAMP POWER SIDE	1
-4	5210811	RAMP OFF SIDE	1
-5	5786135	HDO-SHORT CROSSTUBE R.H.	1
-6	5786130	HDO-SHORT CROSSTUBE L.H.	1
-7	5502165	3x70 CYLINDER	1
-8	5565082	POWER UNIT AB-1468	1
-9	5530260	5/16-3/8x3/4 HHB FOR PWR UNIT	4
-10	5535122	5/16-18 NYLOCK NUT FOR PWR UNIT	4
-11	5210783	HDO-FRONT POST	2
-12	5210788	HDO-POST TOP PLATE	2
-13	5535149	7/8-14 NYLOCK NUT	8
-14	5718140	HDO-SMALL BEARING	4
-15	5575400	HDO-LARGE BEARING ROLLER	4
-16	5575385	HD-RAMP SHEAVE	4
-17	5210782	HDO-CARRIAGE	2
-18	5505625	1/4 ROD END	4
-19	5530455	3/4x4 3/4 ANCHOR BOLT	16
-20	5502195	AIR CYLINDER	2
-21	5550410	1/8 NPT 90° 1/4 TUBE BRASS FITT.	4
-22	5210784	SAFETY # 2	4
-23	5731280	SAFETY # 1	4
-24	5505335	HAIR PIN #203	4
-25	5575380	SLACK SAFETY SHEAVE ROLLER	4
-26	5210784	POST TOP PLATE ALIGN.	2
-27	5786140	HDO-FRONT CROSSTUBE	1
-28	5505680	ROLLER PIN	8
-29	5505670	SAFETY PIN	8
-30	5540275	1" E RING	4
-31	5210886	CYL-FLANGE ARM ASSY.	1
-32	5545125	1" FLAT WASHER	4
-33	5535130	1-14 NYLOCK NUT	1
-34	5210842	DRIVE UP RAMP	2
-35	5745335	HINGE PIN	2
-36	5700830	TIRE STOPS	2
-37	5535180	1/2-13 HEX NUT	8
-38	5545125	1/2 LOCK WASHER	8
-39	5530225	1/2-13x2 HHB	4
-40	5530226	1/2-13x2 HHB	4
-41	5718100	SLIDE BLOCKS	4
-42	5505675	HD-ROLLER AXLE PIN	5
-43	5575390	HD-RAMP SHEAVE ROLLER	7
-44	5530175	3/4x4 SPRING	4
-45	5530705	1/4-20x3 1/2 HEX HEAD BOLT	4
-46	5535691	1/4-20 NYLOCK NUT	4
-47	5530210	3/4-16x3 HEX HEAD BOLT	2

INDEX NO.	PART NO.	DESCRIPTION	QTY
-48	5545535	C-SPLINS	25
-49	5545105	3/4 PUSH ON WASHER	4
-50	5550405	1/4x1/8 BELL REDUCER	2
-51	5550380	CLOSE NIPLE 1/8	2
-52	5505405	3/16x2 1/2 COTTER PIN	8
-53	5545182	1 3/8 FLAT WASHER	6
-54	5550400	1/4 POLY BRANCH TEE	2
-55	5550395	1/4 POLYITE UNION TEE	2
-56	5550111	1/4 STRAIGHT FITTING	2
-57	5550108	1/4x3/8 90°FIT.	3
-58	5550103	1/4 90°WITH "O"RING	1
-59	5545180	1/2 FLAT WASHER	6
-60	5701190	AIR VALVE BRKT.	1
-61	5530116	6-32x1 1/2 SLOT HEAD SCREW	2
-62	5595325	1/2 CABLE 152" LONG	1
-63	5595350	1/2 CABLE 215 1/2" LONG	1
-64	5595410	1/2 CABLE 422 1/2" LONG	1
-65	5595385	1/2 CABLE 363 1/2" LONG	1
-66	5708220	LONG CYL HOSE 1/4x175"	1
-67	5570820	SHORT CYL HOSE 1/4x100"	1
-68	5570814	PWR UNIT HOSE 1/4x100"	2
-69	5550370	BULKHEAD FITTING	2
-70	5570785	BLUE AIR HOSE	1
-71	5570795	1/4 POLY AIR HOSE	1
-72	5590175	AIR VALVE	1
-73	5755658	3" SPACER	2
-74	5755659	1-9/16" SPACER	2
-75	5755659	1-9/16" SPACER	1
-76	5755679	1-11/16" SPACER	1
-77	5755661	5/16" SPACER	4

NOTES: UNLESS OTHERWISE SPECIFIED

 PROJECTION APPROVED	TOLERANCES: XX ± 0.02 XXX ± 0.005 FRACTIONS ± 1/16 SURFACE 63/ DIA. Ø ± 0.005 ANGLES ± 1/2°	BEND-PAK 1645 LEMONWOOD DRIVE SANTA PAULA, CA 93060	
	QTY REQ'D	HDO-12	
		MAT'L:	
		DATE: 03/18/04	REV.
CAGE CODE ØA223	NEXT ASSY	SCALE:	HDO-12



INDEX NO.	PART NO.	DESCRIPTION	QTY
-1	5210782	POST OFF SIDE ALIGN.	1
-2	5210791	POWER SIDE POST ALIGN.	1
-3	5210801	RAMP POWER SIDE	1
-4	5210802	RAMP OFF SIDE	1
-5	5788135	HDO-SHORT CROSSTUBE R.H.	1
-6	5788130	HDO-SHORT CROSSTUBE L.H.	1
-7	5502165	3x70 CYLINDER	1
-8	5565082	POWER UNIT AB-1468	1
-9	5530260	5/16-3/8x3/4 HHB FOR PWRUNIT	4
-10	5535122	5/16-18 NYLOCK NUT FOR PWRUNIT	4
-11	5210783	HDO-FRONT POST	2
-12	5210788	HDO-POST TOP PLATE	2
-13	5535149	7/8-14 NYLOCK NUT	8
-14	5718140	HDO-SMALL BEARING	4
-15	5575400	HDO-LARGE BEARING ROLLER	4
-16	5575385	HD-RAMP SHEEVE	4
-17	5210782	HDO-CARRIAGE	2
-18	5505625	1/4 ROD END	4
-19	5530455	3/4x4 3/4 ANCHOR BOLT	18
-20	5502195	AIR CYLINDER	1
-21	5550410	1/8 NPT 90/1/4 TUBE BRASS FITT.	4
-22	5210784	SAFETY # 2	4
-23	5731280	SAFETY # 1	4
-24	5505335	HAIR PIN #203	4
-25	5575380	SLACK SAFETY SHEEVE ROLLER	4
-26	5210784	POST TOP PLATE ALIGN.	2
-27	5788140	HDO-FRONT CROSSTUBE	1
-28	5505690	ROLLER PIN	6
-29	5505670	SAFETY PIN	6
-30	5540275	1" E RING	1
-31	5210886	CYL FLANGE ARM ASSY.	1
-32	5545125	1 FLAT WASHER	4
-33	5535130	1-14 NYLOCK NUT	1
-34	5210841	DRIVE UP RAMP	2
-35	5745335	HINGE PIN	2
-36	5700630	TIRE STOPS	2
-37	5535180	1/2-13 HEX NUT	8
-38	5545125	1/2 LOCK WASHER	8
-39	5530225	1/2-13x2 HHB	4
-40	5530228	1/2-13x2 HHB	4
-41	5718105	SLIDE BLOCKS	4
-42	5505675	HD-ROLLER AXLE PIN	5
-43	5575390	HD-RAMP SHEEVE ROLLER	7
-44	5530170	3/4x4 SPRING	7
-45	5530170	3/4x4 SPRING	7
-46	5535691	1/4-20 NYLOCK HEX HEAD BOLT	4
-47	5530210	3/4-16x3 HEX HEAD BOLT	2
-48	5545535	C-SHIMS	25
-49	5545105	3/4 PUSH ON WASHER	4
-50	5550405	1/4x1/8 BELL REDUCER	2
-51	5550380	CLOSE NIPPLE 1/8	2
-52	5505405	3/16x2 1/2 COTTER PIN	8
-53	5545182	1 3/8 FLAT WASHER	8
-54	5550400	1 3/8 POLY BRANCH TEE	1
-55	5550395	1/4 POLY TITE UNION TEE	2
-56	5550111	1/4 STRAIGHT FITTING	2
-57	5550106	1/4x3/8 90FIT.	3
-58	5550103	1/4 90 WITH "O" RING	1
-59	5545180	1/2 FLAT WASHER	8
-60	5701190	AIR VALVE BRKT.	1
-61	5530116	6-32x1 1/2 SLOT HEAD SCREW	2
-62	5595355	1/2 CABLE 125" LONG	1
-63	5595380	1/2 CABLE 191 1/2" LONG	1
-64	5595400	1/2 CABLE 315 1/2" LONG	1
-65	5595405	1/2 CABLE 374 1/2" LONG	1
-66	5570735	LONG CYL HOSE 1/4x3/8	1
-67	5570814	PWR. UNIT HOSE 1/4x3/8 90°	2
-68	5550370	BULKHEAD FITTING	2
-69	5570785	BLUE AIR HOSE	1
-70	5570795	1/4 POLY AIR HOSE	1
-71	5580175	AIR VALVE	1
-72	5210437	TURN PLATES	2
-73	5575375	SC-108A CASTERS	4
-74	5755658	3" SPACER	2
-75	5755658	1-9/16" SPACER	2
-76	5755660	1-5/8" SPACER	1
-77	5755679	1-11/16" SPACER	1
-78	5755661	5/16" SPACER	4
-79	5505450	3/8x2-1/2 CLEVIS PIN	4

NOTES: UNLESS OTHERWISE SPECIFIED

PROJECTION APPROVED

TOLERANCES:
 XX ± 0.02
 XXX ± 0.005
 FRACTIONS ± 1/16
 SURFACE 63/
 DIA. Ø ± 0.005
 ANGLES ± 1/2°

QTY REQ'D

CAGE CODE **ØA223**

NEXT ASSY

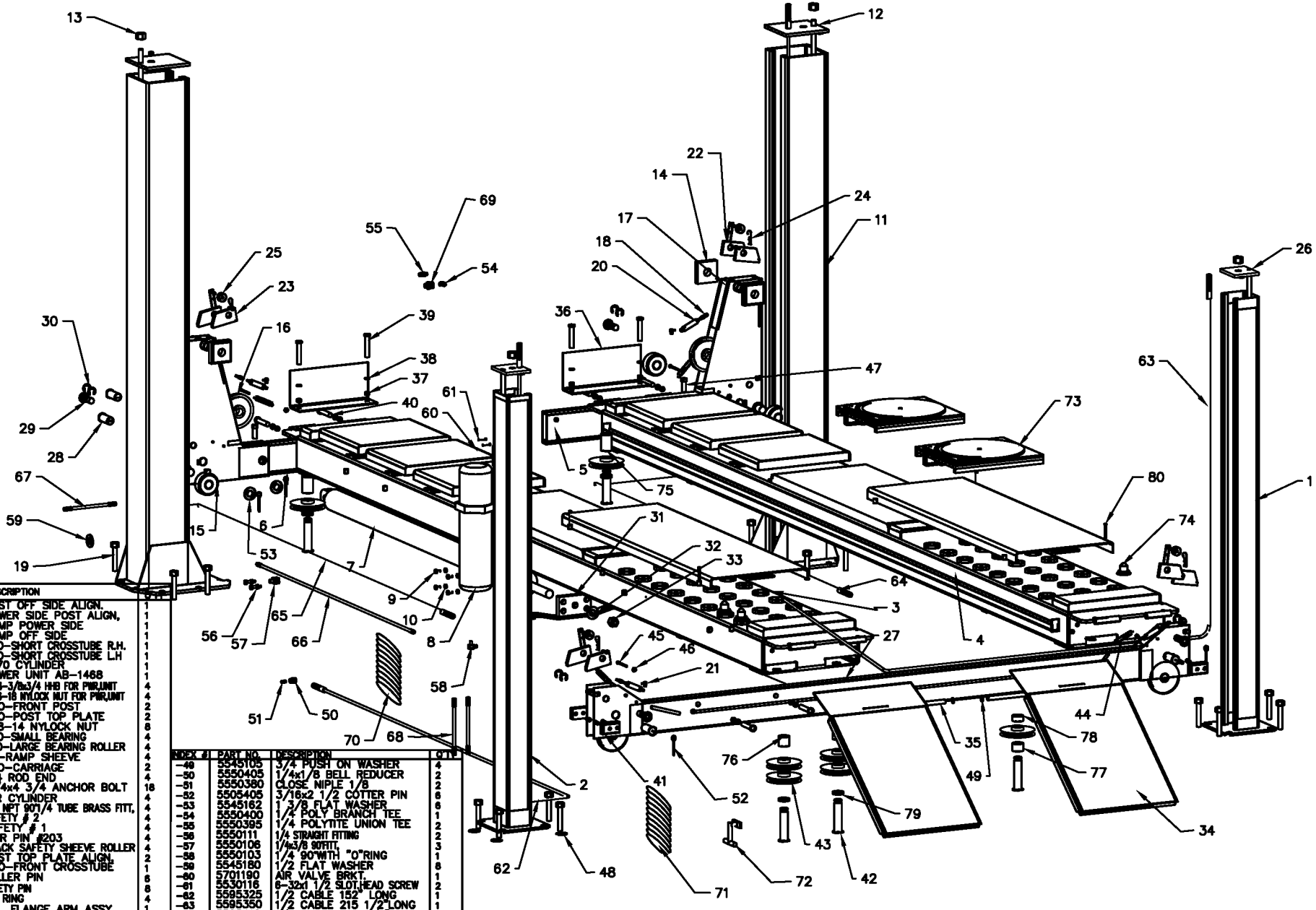
**BEND-PAK 1645 LEMONWOOD DRIVE
 SANTA PAULA, CA 93060**

HDO-12LS

MAT'L:

DATE: 03/18/04 | **REV.**

SCALE: | **HDO-12LS**



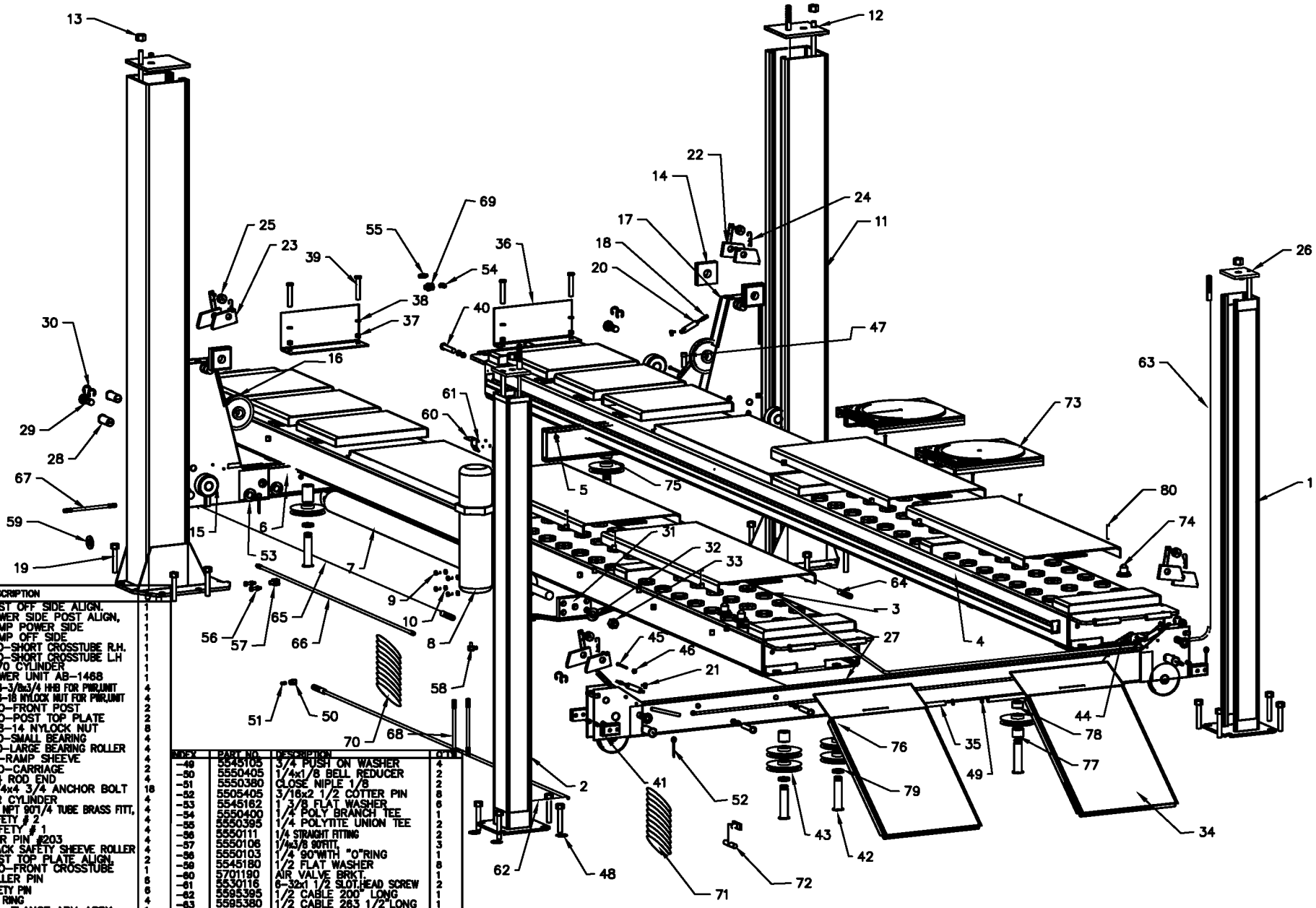
INDEX NO.	PART NO.	DESCRIPTION	QTY
-1	5210782	POST OFF SIDE ALIGN.	1
-2	5210791	POWER SIDE POST ALIGN.	1
-3	5210789	RAMP POWER SIDE	1
-4	5210800	RAMP OFF SIDE	1
-5	5786135	HDO-SHORT CROSSTUBE R.H.	1
-6	5786130	HDO-SHORT CROSSTUBE L.H.	1
-7	5502165	3x70 CYLINDER	1
-8	5550582	POWER UNIT AB-1468	1
-9	5530260	5/16-3/8x3/4 HHB FOR PWR UNIT	4
-9	5535122	5/16-18 NYLOCK NUT FOR PWR UNIT	4
-10	5210783	HDO-FRONT POST	2
-11	5210788	HDO-POST TOP PLATE	2
-12	5535149	7/8-14 NYLOCK NUT	8
-13	5718140	HDO-SMALL BEARING	2
-14	5575400	HDO-LARGE BEARING ROLLER	4
-15	5575385	HD-RAMP SHEEVE	4
-16	5210782	HDO-CARRIAGE	2
-16	5505625	1/4 ROD END	4
-18	5530455	3/4x4 3/4 ANCHOR BOLT	18
-20	5502195	AIR CYLINDER	1
-21	5550410	1/8 NPT 90/1/4 TUBE BRASS FITT.	4
-22	5210784	SAFETY # 2	4
-23	5731280	SAFETY # 1	4
-24	5300845	HAIR PIN #203	4
-25	5575380	SLACK SAFETY SHEEVE ROLLER	4
-26	5210784	POST TOP PLATE ALIGN.	2
-27	5786140	HDO-FRONT CROSSTUBE	1
-28	5505680	ROLLER PIN	6
-29	5505670	SAFETY PIN	6
-30	5540275	1"E RING	1
-31	5210986	CYL FLANGE ARM ASSY.	1
-32	5545125	1 FLAT WASHER	4
-33	5535130	1-14 NYLOCK NUT	1
-34	5210841	DRIVE UP RAMP	2
-35	5745335	HINGE PIN	2
-36	5700830	TIRE STOPS	2
-37	5535180	1/2-13 HEX NUT	8
-38	5545125	1/2 LOCK WASHER	8
-39	5530225	1/2-13x2 HHB	4
-40	5530226	1/2-13x2 HHB	4
-41	5718105	SLIDE BLOCKS	4
-42	5505675	HD-ROLLER AXLE PIN	5
-43	5535190	HD-RAMP SHEEVE ROLLER	4
-44	5530225	3/4x4" SPRING	2
-45	5530705	3/4-20x3 1/2 HEX HEAD BOLT	4
-46	5535691	1/4-20 NYLOCK NUT	4
-47	5530210	3/4-16x3 HEX HEAD BOLT	2
-48	5545335	C-SHIMS	25

INDEX #	PART NO.	DESCRIPTION	QTY
-48	5545105	3/4 PUSH ON WASHER	4
-50	5550405	1/4x1/8 BELL REDUCER	2
-51	5550380	CLOSE NIPPLE 1/8"	2
-52	5505405	3/16x2 1/2 COTTER PIN	6
-53	5545162	1 3/8 FLAT WASHER	1
-54	5550400	1/4 POLY BRANCH TEE	6
-55	5550385	1/4 POLYITTE UNION TEE	2
-56	5550111	1/4 STRAIGHT FITTING	2
-56	5550106	1/4x3/8 90FIT	3
-58	5550103	1/4 90" WITH "O" RING	1
-58	5545180	1/2 FLAT WASHER	8
-60	5701180	AIR VALVE BRKT	1
-61	5530116	6-32x1 1/2 SLOT HEAD SCREW	1
-62	5595325	1/2 CABLE 152" LONG	1
-63	5595350	1/2 CABLE 215 1/2" LONG	1
-64	5595410	1/2 CABLE 422 1/2" LONG	1
-65	5595385	1/2 CABLE 363 1/2" LONG	1
-66	5570837	LONG CYL HOSE 1/4x1 1/2 LG	1
-67	5570820	SHORT CYL HOSE 1/4x1 1/2 LG	1
-68	5570814	PWR. UNIT HOSE 1/4x68" LONG	1
-69	5550370	BULKHEAD FITTING	2
-70	5570785	BLUE AIR HOSE	1
-71	5570795	1/4 POLY AIR HOSE	1
-72	5580175	AIR VALVE	1
-73	5575375	TURN PLATES	2
-74	5755658	5" SPACER	54
-75	5755658	1-8/16" SPACER	2
-76	5755659	1-8/16" SPACER	2
-77	5755660	1-5/8" SPACER	1
-78	5755679	1-11/16" SPACER	1
-79	5755681	5-16" SPACER	4
-80	5505450	3/8x2-1/2 CLEVIS PIN	4

 PROJECTION APPROVED	TOLERANCES: XX ± 0.02 XXX ± 0.005 FRACTIONS ± 1/16 SURFACE 63 DIA. Ø ± 0.005 ANGLES ± 1/2°
	QTY REQ'D
CAGE CODE ØA223	NEXT ASSY

BEND-PAK 1645 LEMONWOOD DRIVE
SANTA PAULA, CA 93060
 HDO-12LSX
 MAT'L:
 DATE: 03/18/04 REV.
 SCALE: HDO-12LSX

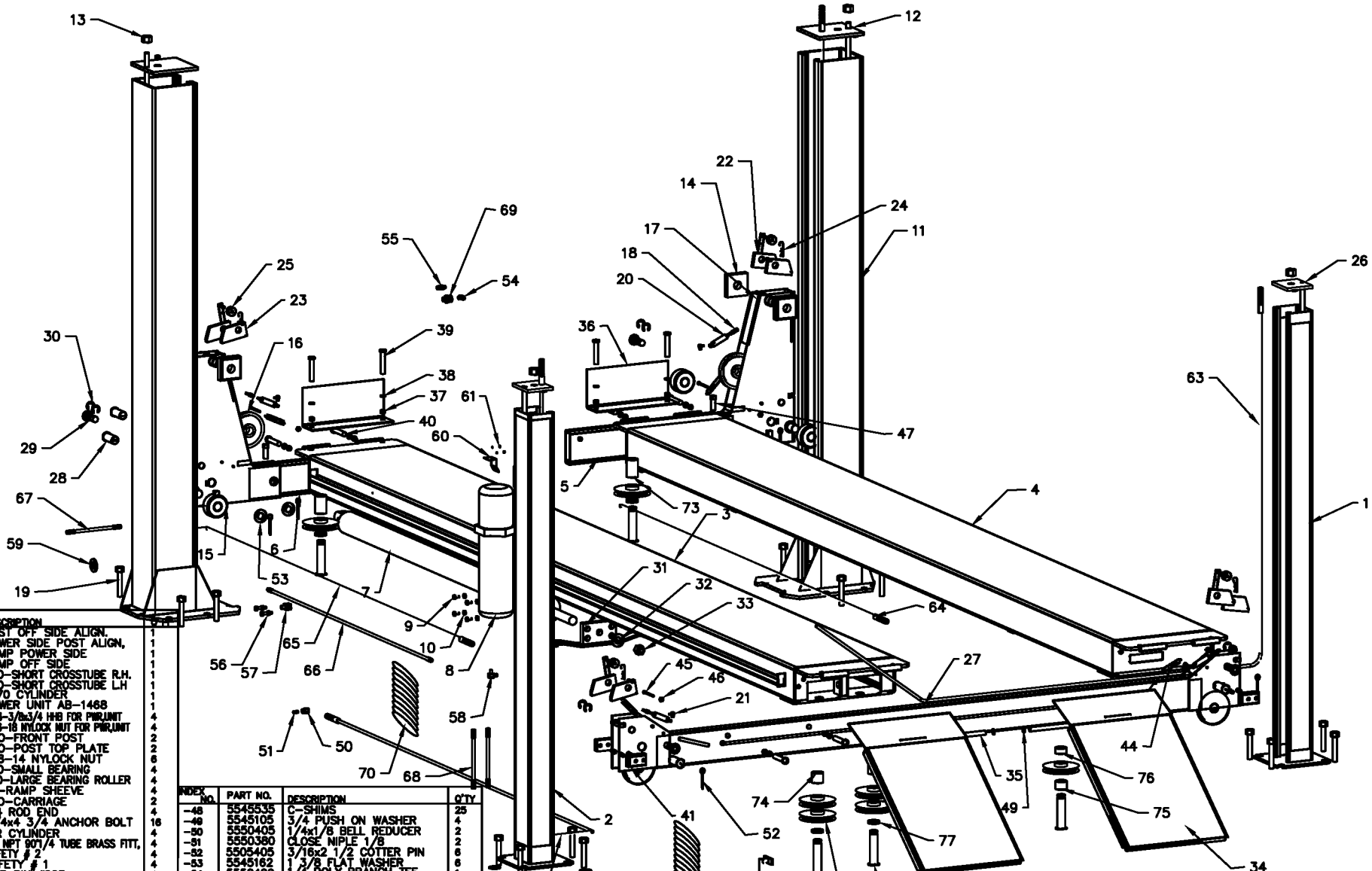
NOTES: UNLESS OTHERWISE SPECIFIED



INDEX NO.	PART NO.	DESCRIPTION	QTY
-1	5210782	POST OFF SIDE ALIGN.	1
-2	5210791	POWER SIDE POST ALIGN.	1
-3	5210803	RAMP POWER SIDE	1
-4	5210804	RAMP OFF SIDE	1
-5	5786135	HDO-SHORT CROSSTUBE R.H.	1
-6	5786130	HDO-SHORT CROSSTUBE L.H.	1
-7	5502165	3x70 CYLINDER	1
-8	5565082	POWER UNIT AB-1468	1
-9	5530260	5/16-3/8x3/4 HHB FOR PWR UNIT	4
-10	5535122	5/16-18 NYLOCK NUT FOR PWR UNIT	4
-11	5210783	HDO-FRONT POST	2
-12	5210788	HDO-POST TOP PLATE	2
-13	5535149	7/8-14 NYLOCK NUT	8
-14	5718140	HDO-SMALL BEARING	8
-15	5575400	HDO-LARGE BEARING ROLLER	4
-16	5575385	HD-RAMP SHEAVE	4
-17	5210782	HDO-CARRIAGE	2
-18	5550625	1/4 ROD END	4
-19	5530455	3/4x4 3/4 ANCHOR BOLT	18
-20	5502195	AIR CYLINDER	4
-21	5550410	1/8 NPT 90° 1/4 TUBE BRASS FITT.	4
-22	5210784	SAFETY # 2	4
-23	5731280	SAFETY # 1	4
-24	5505335	HAIR PIN #203	4
-25	5575380	SLACK SAFETY SHEAVE ROLLER	4
-26	5210784	POST TOP PLATE ALIGN.	2
-27	5786140	HDO-FRONT CROSSTUBE	1
-28	5505680	ROLLER PIN	6
-29	5505670	SAFETY PIN	6
-30	5540275	1" E RING	4
-31	5210886	CYL FLANGE ARM ASSY.	1
-32	5545125	1 FLAT WASHER	4
-33	5535130	1-14 NYLOCK NUT	1
-34	5210841	DRIVE UP RAMP	2
-35	5745335	HINGE PIN	2
-36	5700630	TIRE STOPS	2
-37	5535180	1/2-13 HEX NUT	6
-38	5545125	1/2 LOCK WASHER	6
-39	5530225	1/2-13x2 HHB	7
-40	5530228	1/2-13x2 HHB	4
-41	5718105	SLIDE BLOCKS	4
-42	5505675	HD-ROLLER AXLE PIN	5
-43	5575390	HD-RAMP SHEAVE ROLLER	7
-44	5570170	3/4x4 SPRING	4
-45	5535105	1/4-20x3 1/2 HEX HEAD BOLT	4
-46	5535691	1/4-20 NYLOCK NUT	4
-47	5530210	3/4-16x3 HEX HEAD BOLT	2
-48	5545535	C-SHIMS	25
-49	5545105	3/4 PUSH ON WASHER	4
-50	5550405	1/4x1/8 BELL REDUCER	2
-51	5550390	CLOSE NIPPLE 1/8"	1
-52	5550405	3/16x2 1/2 COTTER PIN	8
-53	5545182	1 3/8 FLAT WASHER	6
-54	5550400	1/4 POLY BRANCH TEE	1
-55	5550395	1/4 POLYTITE UNION TEE	2
-56	5550111	1/4 STRAIGHT FITTING	2
-57	5550108	1/4x3/8 90° FITT.	3
-58	5550103	1/4 90° WITH "O" RING	1
-59	5545180	1/2 FLAT WASHER	1
-60	5701180	AIR VALVE BRKT.	6
-61	5530116	8-32x1 1/2 SLOT HEAD SCREW	2
-62	5595395	1/2 CABLE 200" LONG	1
-63	5595380	1/2 CABLE 263 1/2" LONG	1
-64	5595415	1/2 CABLE 459 1/2" LONG	1
-65	5595430	1/2 CABLE 518 1/2" LONG	1
-66	5570828	SHORT CYL HOSE 1/4x148 LG	1
-67	5570814	PWR. UNIT HOSE 1/4x86 LONG	2
-68	5550370	BULKHEAD FITTING	1
-69	5570785	BLUJE AIR HOSE	1
-70	5570785	1/4 POLY AIR HOSE	1
-71	5580175	AIR VALVE	1
-72	5210437	TURN PLATES	2
-73	5575375	SC-108A CASTERS	84
-74	5755658	3" SPACER	2
-75	5755659	1-9/16" SPACER	2
-76	5755660	1-5/8" SPACER	1
-77	5755679	1-11/16" SPACER	1
-78	5755661	5/16" SPACER	4
-79	5505450	3/8x2-1/2 CLEVIS PIN	8

NOTES: UNLESS OTHERWISE SPECIFIED

 PROJECTION APPROVED	TOLERANCES: XX ± 0.02 XXX ± 0.005 FRACTIONS ± 1/16 SURFACE 63/ DIA. Ø ± 0.005 ANGLES ± 1/2°	BEND-PAK 1645 LEMONWOOD DRIVE SANTA PAULA, CA 93060
	QTY REQ'D	HDO-12LSXE
CAGE CODE ØA223	NEXT ASSY	MAT'L:
DATE: 03/18/04	REV.	SCALE:
		HDO-12LSXE

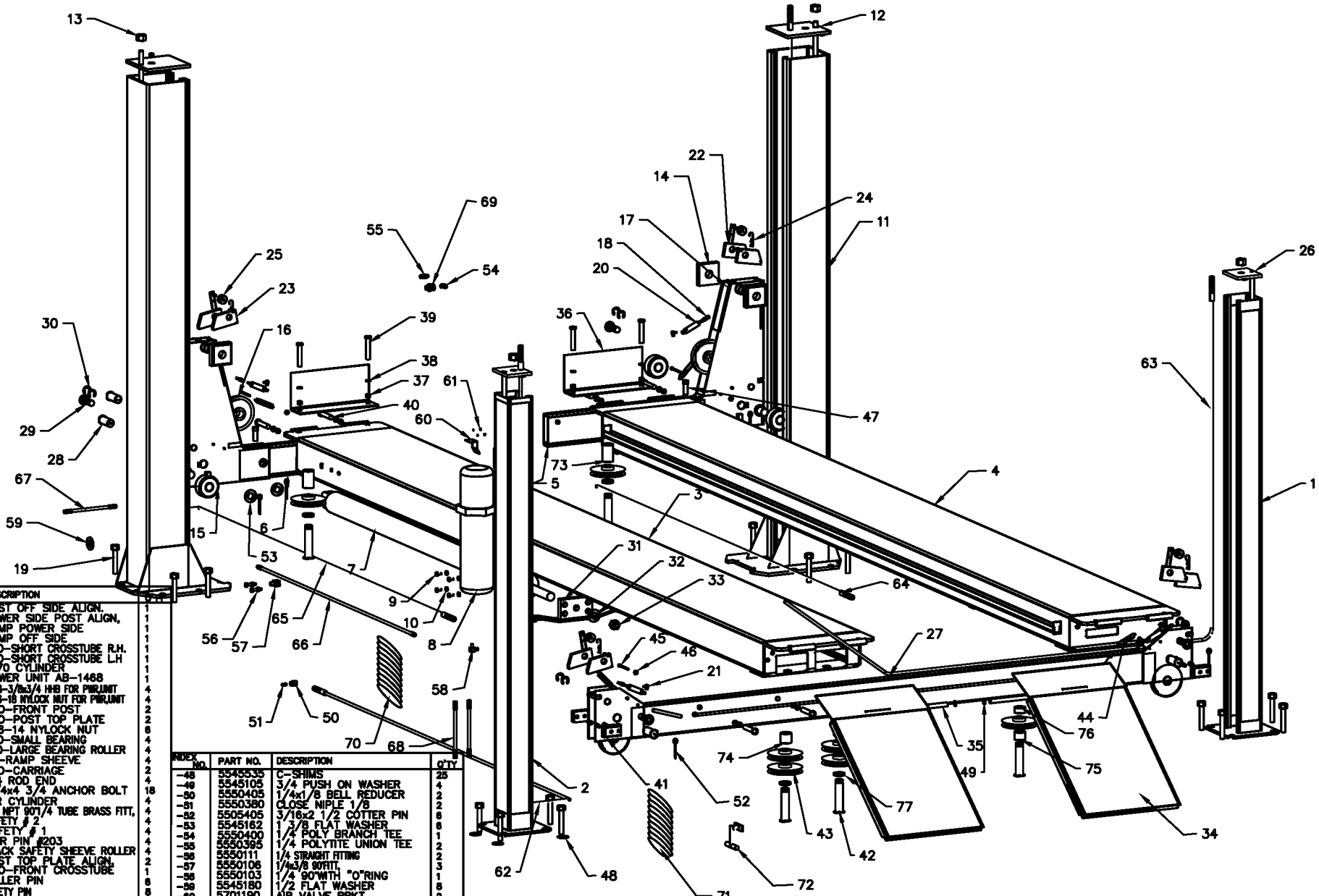


INDEX NO.	PART NO.	DESCRIPTION	QTY
-1	5210782	POST OFF SIDE ALIGN.	1
-2	5210791	POWER SIDE POST ALIGN.	1
-3	5210809	RAMP POWER SIDE	1
-4	5210810	RAMP OFF SIDE	1
-5	5786135	HDO-SHORT CROSSTUBE R.H.	1
-6	5786130	HDO-SHORT CROSSTUBE L.H.	1
-7	5502165	3x70 CYLINDER	1
-8	5565082	POWER UNIT AB-1468	1
-9	5530260	5/16-3/8x3/4 HHB FOR PWR UNIT	4
-9	5535122	5/16-18 NYLOCK NUT FOR PWR UNIT	4
-10	5210783	HDO-FRONT POST	2
-11	5210788	HDO-POST TOP PLATE	2
-12	5535149	7/8-14 NYLOCK NUT	6
-13	5718140	HDO-SMALL BEARING	4
-14	5575400	HDO-LARGE BEARING ROLLER	4
-15	5575385	HD-RAMP SHEAVE	4
-16	5210782	HDO-CARRIAGE	2
-16	5505625	1/4 ROD END	4
-18	5530455	3/4x4 3/4 ANCHOR BOLT	16
-20	5502195	AIR CYLINDER	1
-21	5550410	1/8 NPT 90/1/4 TUBE BRASS FITT.	4
-22	5210784	SAFETY # 2	4
-23	5731280	SAFETY # 1	4
-24	5505335	HAIR PIN #203	4
-25	5575380	SLACK SAFETY SHEAVE ROLLER	4
-26	5210784	POST TOP PLATE ALIGN.	2
-27	5786140	HDO-FRONT CROSSTUBE	1
-28	5505680	ROLLER PIN	8
-29	5505670	SAFETY PIN	8
-30	5540275	1" E RING	1
-31	5210986	CYL FLANGE ARM ASSY.	1
-32	5545125	1 FLAT WASHER	4
-33	5535130	1-14 NYLOCK NUT	1
-34	5210842	DRIVE UP RAMP	2
-35	5745335	HINGE PIN	2
-36	5700830	TIRE STOPS	2
-37	5535180	1/2-13 HEX NUT	8
-38	5545125	1/2 LOCK WASHER	8
-39	5530225	1/2-13x2 HHB	4
-40	5530226	1/2-13x2 HHB	4
-41	5718100	SLIDE BLOCKS	5
-42	5505675	HD-ROLLER AXLE PIN	5
-43	5575390	HD-RAMP SHEAVE ROLLER	4
-44	5530225	1/4x4 SPRING	4
-45	5530705	3/4-20x3 1/2 HEX HEAD BOLT	4
-46	5535691	1/4-20 NYLOCK NUT	4
-47	5530210	3/4-16x3 HEX HEAD BOLT	1

INDEX NO.	PART NO.	DESCRIPTION	QTY
-48	5545535	C-SHIMS	25
-48	5545105	3/4 PUSH ON WASHER	4
-50	5550405	1/4x1/8 BELL REDUCER	2
-51	5550390	CLOSE NIPLE 1/8	2
-52	5505405	3/16x2 1/2 COTTER PIN	6
-53	5545162	3/8 FLAT WASHER	6
-54	5550400	1/4 POLY BRANCH TEE	1
-55	5550395	1/4 POLY TITE UNION TEE	2
-56	5550111	1/4 STRAIGHT FITTING	2
-57	5550106	1/4x3/8 90FITTING	3
-58	5550103	1/4 90 WITH "O" RING	2
-58	5545180	1/2 FLAT WASHER	6
-60	5701180	AIR VALVE BRKT.	1
-61	5530118	8-32x1 1/2 SLOT HEAD SCREW	2
-62	5595355	1/2 CABLE 128" LONG	1
-63	5595390	1/2 CABLE 191 1/2" LONG	1
-64	5595400	1/2 CABLE 315 1/2" LONG	1
-65	5595405	1/2 CABLE 372 1/2" LONG	1
-66	5570824	LONG CYL HOSE 1/4x90"	1
-67	5570824	SHORT CYL HOSE 1/4x90"	1
-68	5570814	PWR. UNIT HOSE 1/4x88" LONG	2
-69	5550370	BULKHEAD FITTING	1
-70	5570785	BLUE AIR HOSE	1
-71	5570795	1/4 POLY AIR HOSE	1
-72	5590175	AIR VALVE	1
-73	5755658	3" SPACER	2
-74	5755658	1-9/16" SPACER	2
-75	5755660	1-5/8" SPACER	1
-76	5755679	1-11/16" SPACER	1
-77	5755661	5/16" SPACER	4

NOTES: UNLESS OTHERWISE SPECIFIED

 PROJECTION APPROVED	TOLERANCES: XX ± 0.02 XXX ± 0.005 FRACTIONS ± 1/16 SURFACE 63 DIA. Ø ± 0.005 ANGLES ± 1/2°	BEND-PAK 1645 LEMONWOOD DRIVE SANTA PAULA, CA 93060	
		HDO-12SS	
	QTY REQ'D	MAT'L:	
		DATE: 03/18/04	REV.
CAGE CODE ØA223	NEXT ASSY	SCALE:	HDO-12SS



INDEX NO.	PART NO.	DESCRIPTION	QTY
-1	5210782	POST OFF SIDE ALIGN.	1
-2	5210791	POWER SIDE POST ALIGN.	1
-3	5210807	RAMP POWER SIDE	1
-4	5210808	RAMP OFF SIDE	1
-5	5786135	HDO-SHORT CROSSTUBE R.H.	1
-6	5786130	HDO-SHORT CROSSTUBE L.H.	1
-7	5502165	3x70 CYLINDER	1
-8	5565082	POWER UNIT AB-1468	1
-9	5530260	5/16-3/8x3/4 HHB FOR PWR UNIT	4
-10	5535122	5/16-18 NYLOCK NUT FOR PWR UNIT	4
-11	5210783	HDO-FRONT POST	2
-12	5210788	HDO-POST TOP PLATE	2
-13	5535149	7/8-14 NYLOCK NUT	6
-14	5718140	HDO-SMALL BEARING	8
-15	5575400	HDO-LARGE BEARING ROLLER	4
-16	5575385	HD-RAMP SHEEVE	4
-17	5210782	HDO-CARRIAGE	2
-18	5505625	1/4 ROD END	4
-19	5530455	3/4x4 3/4 ANCHOR BOLT	18
-20	5502195	AIR CYLINDER	4
-21	5550410	1/8 NPT 90T/4 TUBE BRASS FITT.	4
-22	5210784	SAFETY # 2	4
-23	5731280	SAFETY # 1	4
-24	5505335	HAIR PIN #203	4
-25	5575380	SLACK SAFETY SHEEVE ROLLER	4
-26	5210784	POST TOP PLATE ALIGN.	2
-27	5786140	HDO-FRONT CROSSTUBE	1
-28	5505680	ROLLER PIN	8
-29	5505670	SAFETY PIN	8
-30	5540275	1" E RING	4
-31	5210886	CYL FLANGE ARM ASSY.	1
-32	5545125	1 FLAT WASHER	4
-33	5535130	1-14 NYLOCK NUT	1
-34	5210842	DRIVE UP RAMP	2
-35	5745335	HINGE PIN	2
-36	5700830	TIRE STOPS	2
-37	5535180	1/2-13 HEX NUT	8
-38	5545125	1/2 LOCK WASHER	8
-39	5530225	1/2-13x2 HHB	8
-40	5530225	1/2-13x2 HHB	4
-41	5718100	SLIDE BLOCKS	4
-42	5505675	HD-ROLLER AXLE PIN	5
-43	5575390	HD-RAMP SHEEVE ROLLER	7
-44	5530175	3/4x4 SPRING	5
-45	5530175	3/4x4 SPRING	4
-46	5535691	1/4-20 NYLOCK NUT	4
-47	5530210	3/4-16x3 HEX HEAD BOLT	2

INDEX NO.	PART NO.	DESCRIPTION	QTY
-48	5545535	C-SHIMS	25
-49	5545105	3/4 PUSH ON WASHER	4
-50	5550405	1/4x1/8 BELL REDUCER	2
-51	5550380	CLOSE NIPL 1/8"	2
-52	5505405	3/16x2 1/2 COTTER PIN	6
-53	5545182	1 3/8 FLAT WASHER	6
-54	5550400	1/4 POLY BRANCH TEE	1
-55	5550395	1/4 POLY TITE UNION TEE	2
-56	5550111	1/4 STRAIGHT FITTING	2
-57	5550106	1/4x3/8 90T	3
-58	5550103	1/4 90 WITH "O"RING	1
-59	5545180	1/2 FLAT WASHER	8
-60	5701190	AIR VALVE BRKT.	2
-61	5530116	6-32x1 1/2 SLOT HEAD SCREW	1
-62	5565395	1/2 CABLE 200" LONG	4
-63	5565380	1/2 CABLE 265 1/2" LONG	2
-64	5565415	1/2 CABLE 458 1/2" LONG	1
-65	5565420	1/2 CABLE 518 1/2" LONG	1
-66	5570822	LONG CYL HOSE 1/4x175"	1
-67	5570820	SHORT CYL HOSE 1/4x100"	1
-68	5570814	PWR. UNIT HOSE 1/4x88" LONG	1
-69	5550370	BULGHEAD FITTING	2
-70	5570785	BLUE AIR HOSE	1
-71	5570795	1/4 POLY AIR HOSE	1
-72	5560175	AIR VALVE	1
-73	5755658	3" SPACER	2
-74	5755658	1-9/16" SPACER	2
-75	5755680	1-5/8" SPACER	1
-76	5755679	1-11/16" SPACER	1
-77	5755661	5/16" SPACER	4

PROJECTION
APPROVED

CAGE CODE
0A223

TOLERANCES:
 XX ± 0.02
 XXX ± 0.005
 FRACTIONS ± 1/16
 SURFACE 63
 DIA. Ø ± 0.005
 ANGLES ± 1/2°

QTY REQ'D

NEXT ASSY

**BEND-PAK 1645 LEMONWOOD DRIVE
SANTA PAULA, CA 93060**

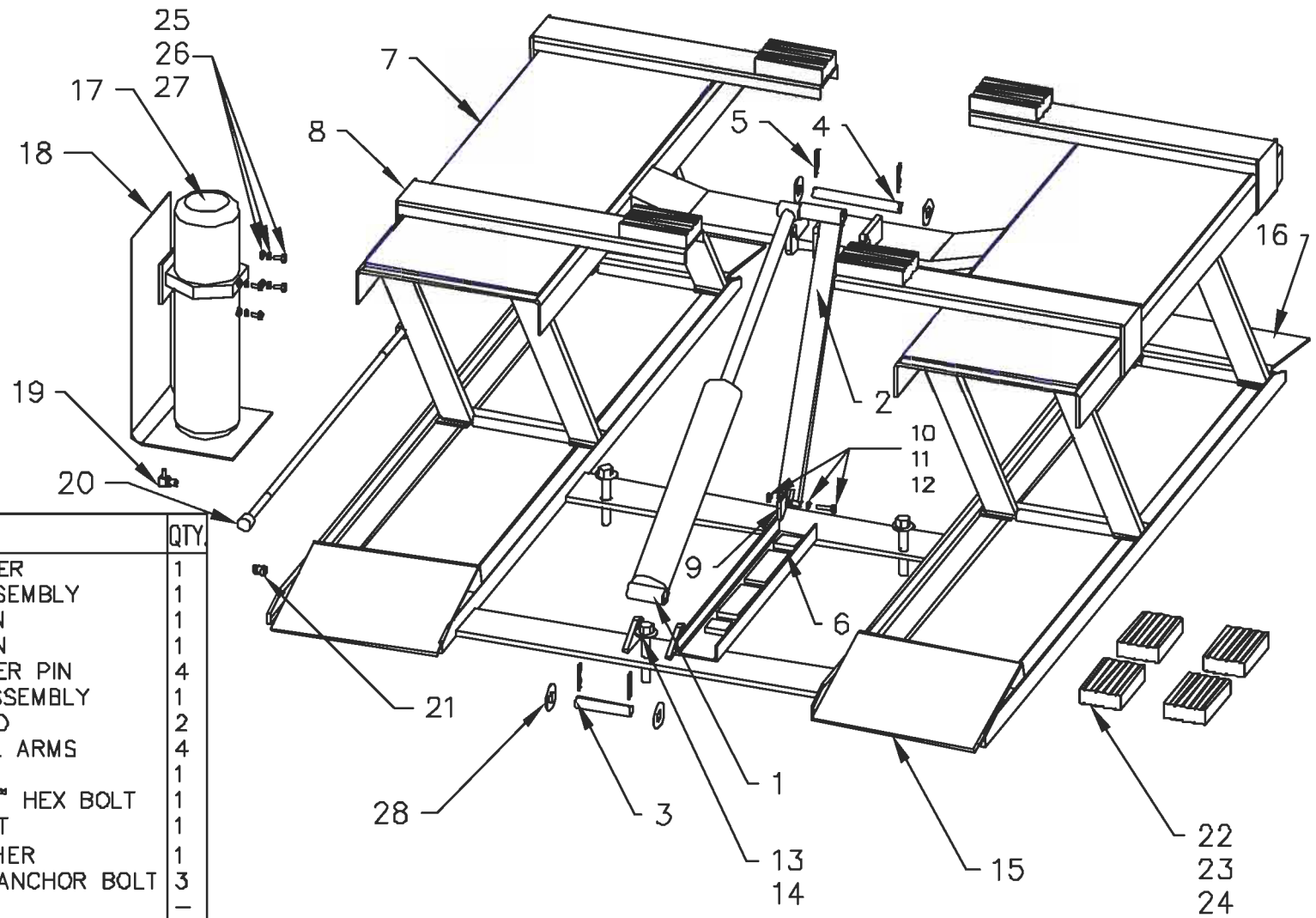
HDO-12X

MAT'L:

DATE: 03/18/04 | **REV.**

SCALE: | **HDO-12X**

NOTES: UNLESS OTHERWISE SPECIFIED

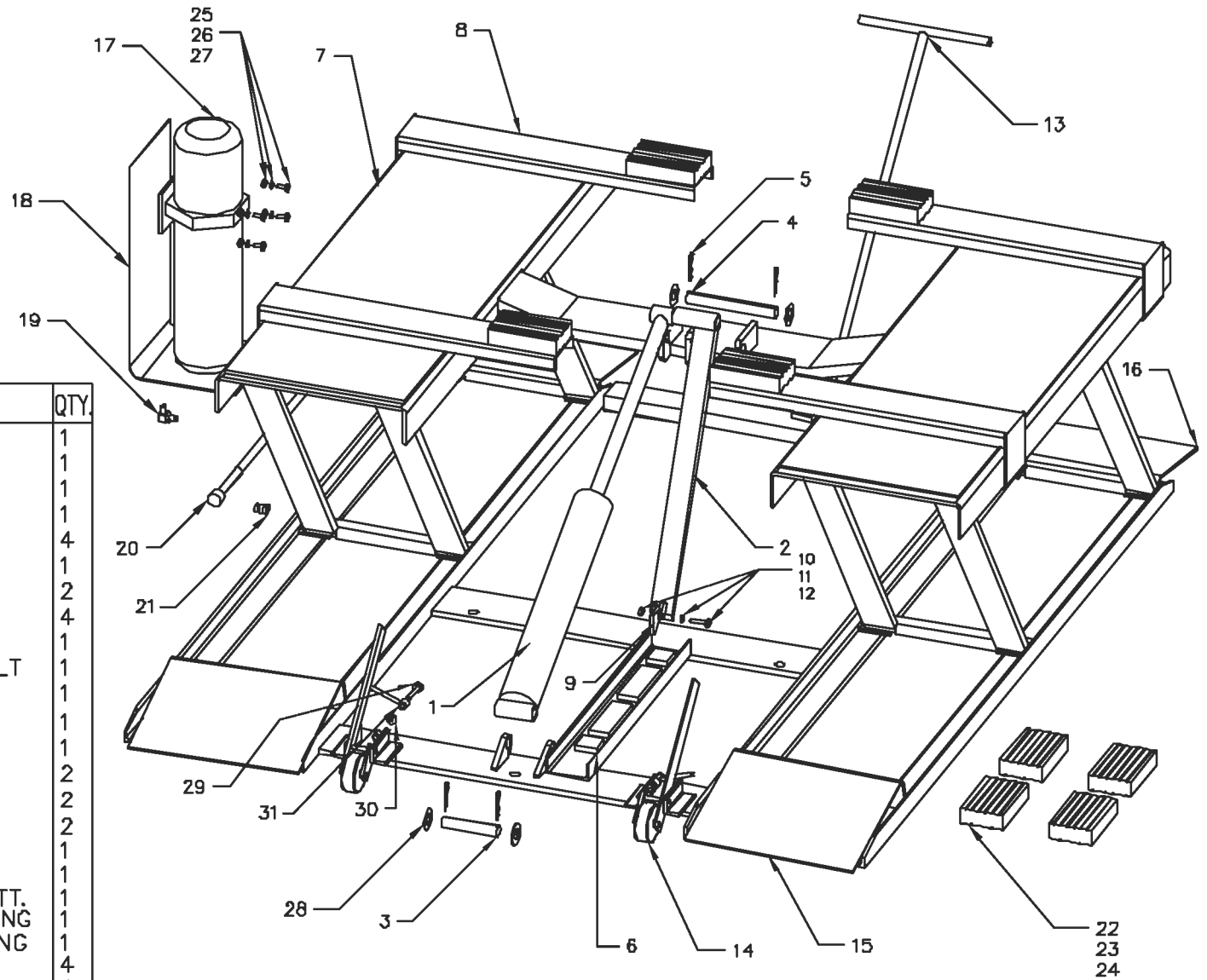


#	ITEM NO.	DESCRIPTION	QTY.
1.	5502135	3" x 18" CYLINDER	1
2.	5210870	SAFETY ARM ASSEMBLY	1
3.	5746586	LOWER HINGE PIN	1
4.	5746587	UPPER HINGE PIN	1
5.	5505400	3/16 x 2" COTTER PIN	4
6.	5210866	SAFETY STOP ASSEMBLY	1
7.	5715290	RUBBER TOP PAD	2
8.	5210447	LR-4A OPTIONAL ARMS	4
9.	5731283	SAFETY LATCH	1
10.	5530136	3/8-16 x 1 1/2" HEX BOLT	1
11.	5535170	3/8-16 HEX NUT	1
12.	5545130	3/8" LOCK WASHER	1
13.	5530455	3/4" x 4 3/4" ANCHOR BOLT	3
14.	5545535	C-SHIM	-
15.	5700647	DRIVE-ON RAMP	2
16.	5700646	DRIVE-OFF RAMP	2
17.	5585094	POWER UNIT AB-1380	1
18.	5700635	POWER UNIT STAND	1
19.	5550103	6801-4-6 POWER UNIT FITT.	1
20.	5570115	1/4" HYDR. HOSE 120" LONG	1
21.	5550147	2404-4-4 STRAIGHT FITTING	1
22.	5585094	1 1/2" RUBBER PAD	4
23.	5700635	3" RUBBER PAD	4
24.	5550103	6" RUBBER PAD	4
25.	5530260	5/16-18 x 3/4" HEX BOLT	4
26.	5535122	5/16-18 NYLOCK NUT	4
27.	5530260	5/16 LOCK WASHER	4
28.	5535122	1" FLAT WASHER	4

NOTES: UNLESS OTHERWISE SPECIFIED

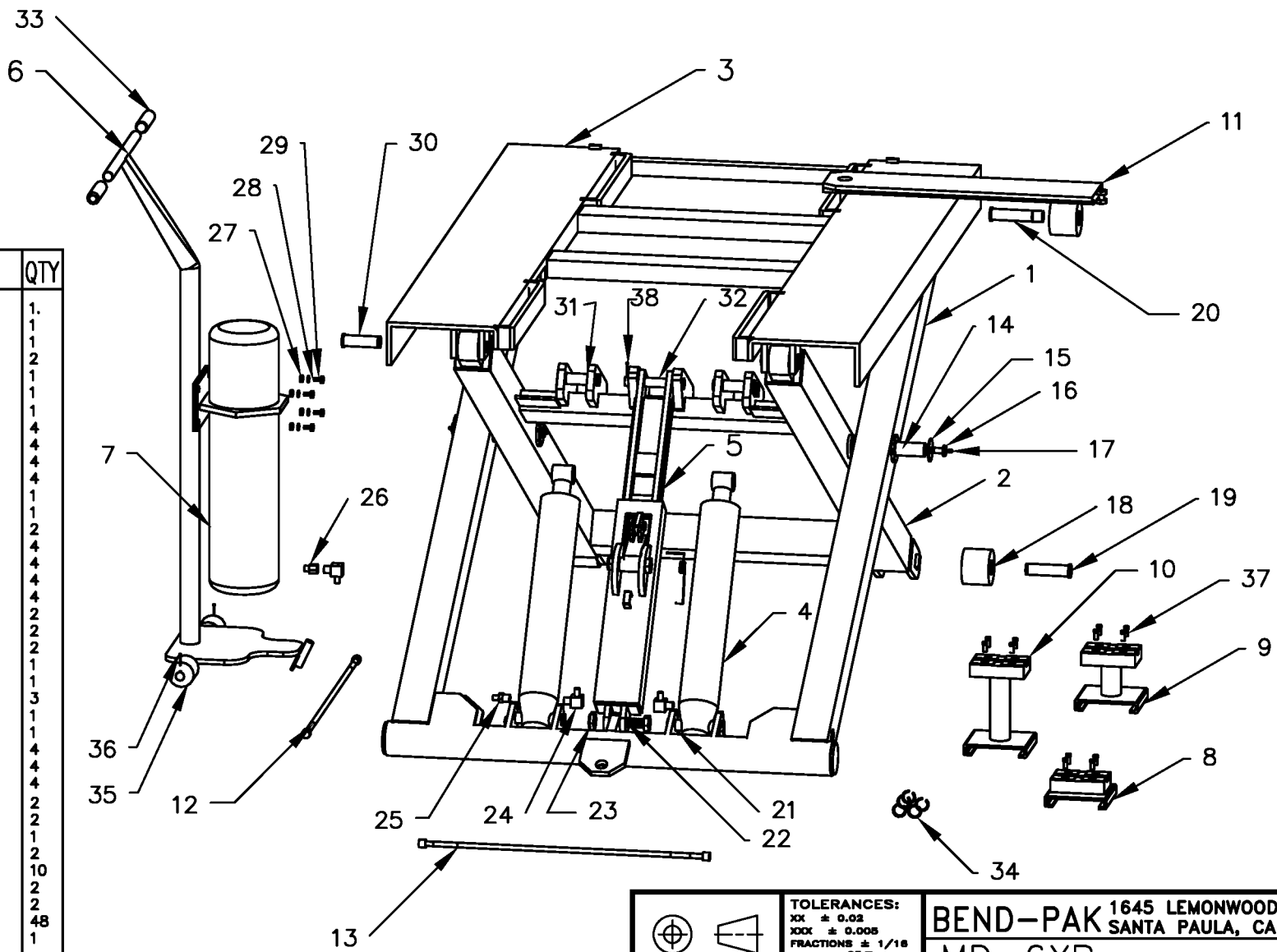
 PROJECTION APPROVED	TOLERANCES: XX ± 0.00 XXX ± 0.000 FRACTIONS & 1/16 SUBSTITUTED BY DIA. Ø ± 0.005 ANGLES ± 1/2" QTY. SHOWN	BEND-PAK 1645 LEMONWOOD DRIVE SANTA PAULA, CA 93060	
		LR-60	
		MAT'L:	
		DATE: 09/09/04	REV.
MADE IN USA 223	NEXT ASSY	SCALE:	

#	ITEM NO.	DESCRIPTION	QTY.
1.	5502135	3" x 18" CYLINDER	1
2.	5210870	SAFETY ARM ASSEMBLY	1
3.	5746586	LOWER HINGE PIN	1
4.	5746587	UPPER HINGE PIN	1
5.	5505400	3/16 x 2" COTTER PIN	4
6.	5210866	SAFETY STOP ASSEMBLY	1
7.	5715290	RUBBER TOP PAD	2
8.	5210447	LR-4A OPTIONAL ARMS	4
9.	5731283	SAFETY LATCH	1
10.	5530136	3/8-16 x 1 1/2" HEX BOLT	1
11.	5535170	3/8-16 HEX NUT	1
12.	5545130	3/8" LOCK WASHER	1
13.	5210863	TOW BAR ASSEMBLY	1
14.	5210907	WHEEL ASSEMBLY	2
15.	5700647	DRIVE-ON RAMP	2
16.	5700646	DRIVE-OFF RAMP	2
17.	5585094	POWER UNIT AB-1380	1
18.	5700635	POWER UNIT STAND	1
19.	5550103	6801-4-6 POWER UNIT FITT.	1
20.	5570115	1/4" HYDR. HOSE 120" LONG	1
21.	5550147	2404-4-4 STRAIGHT FITTING	1
22.	5585094	1 1/2" RUBBER PAD	4
23.	5700635	3" RUBBER PAD	4
24.	5550103	6" RUBBER PAD	4
25.	5530260	5/16-18 x 3/4" HEX BOLT	4
26.	5535122	5/16-18 NYLOCK NUT	4
27.	5545135	5/16 LOCK WASHER	4
28.	5545165	1" FLAT WASHER	4
29.	5530132	3/8-16 x 2 1/4" HEX BOLT	2
30.	5535110	3/8-16 NYLOCK NUT	2
31.	5210994	WHEEL PIN ASSY.	2



 PROJECTION APPROVED	TOLERANCES: XS ± 0.02 XEZ ± 0.005 FRACTIONS & 1/16 SURFACE R _A DIA. Ø ± 0.010 ANGLES ± 1/2° QTY REQ'D	BEND-PAK 1645 LEMONWOOD DRIVE SANTA PAULA, CA 93060	
		LR-60P	
		MAT'L:	
		DATE: 09/13/04	REV.
MADE IN USA 223	NEXT ASSEMBLY	SCALE:	

NOTES: UNLESS OTHERWISE SPECIFIED

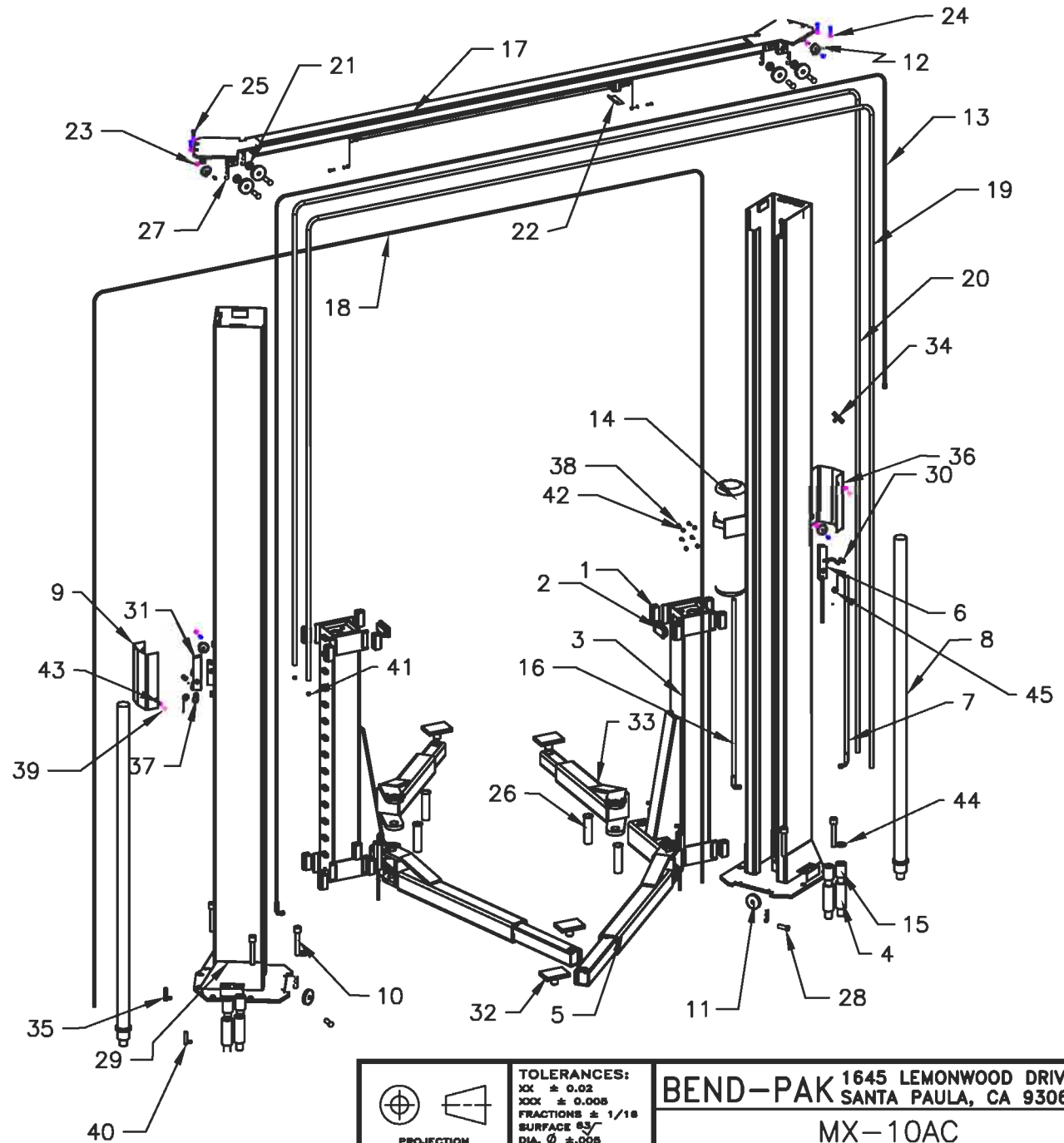


#	ITEM #	DESCRIPTION	QTY
1.	-	OUTER ARM ASSY.	1.
2.	-	INNER ARM ASSY.	1
3.	-	LIFT COVER ASSEMBLY	1
4.	5502175	3x15 CYLINDER	2
5.	-	SAFETY ASSEMBLY	1
6.	5210940	POWER UNIT STAND	1
7.	5585094	AB-1380 POWER UNIT	1
8.	5210983	LIFT PAD- SHORT	4
9.	5210987	LIFT PAD- MEDIUM	4
10.	5210988	LIFT PAD- LONG	4
11.	5210984	ARM EXTENSION	4
12.	5570115	1/4" HYDR. HOSE 120"	1
13.	5570852	1/4" HYDR. HOSE 20"	1
14.	5505693	ARM PIVOT PIN	2
15.	Incl. w/ pin	12mm WASHER	4
16.	Incl. w/ pin	M12-1.75 x 20 HHB	4
17.	Incl. w/ pin	M6-1 GREASE FITTING	4
18.	-	ROLLER	4
19.	-	98mm PIN	2
20.	-	116mm PIN	2
21.	-	123mm PIN	2
22.	-	M20-10 x 70 HHB	1
23.	-	M20-10 NYLOCK NUT	1
24.	5550106	2501-4-6 90° FITT.	3
25.	5550100	2404-4-6 STR. FITT.	1
26.	5550142	6405-6-6 /W O-RING	1
27.	5535122	5/16-18 NYLOCK NUT	4
28.	5545135	5/16 LOCK WASHER	4
29.	5530260	5/16-18 x 3/4" HHB	4
30.	-	83mm PIN	2
31.	-	91mm PIN	2
32.	-	130mm CLEVIS PIN	1
33.	5715363	HAND GRIPS	2
34.	-	24mm SNAP RING	10
35.	5575417	CASTER	2
36.	-	4x40mm COTTER PIN	2
37.	-	M8-1.25x16mm SHCS	48
38.	-	3.2x40mm COTTER PIN	1
39.	-		
40.	-		

 PROJECTION	TOLERANCES: XX ± 0.02 XXX ± 0.005 FRACTIONS ± 1/16 SURFACE 32/ DIA. Ø ± 0.005 ANGLES ± 1/2°	BEND-PAK 1645 LEMONWOOD DRIVE SANTA PAULA, CA 93060	
		MD-6XP	
APPROVED	QTY REQ'D	MAT'L:	
CAGE CODE	NEXT ASSY	DATE: 10/22/03 REV.	
ØA223		SCALE:	

NOTES: UNLESS OTHERWISE SPECIFIED

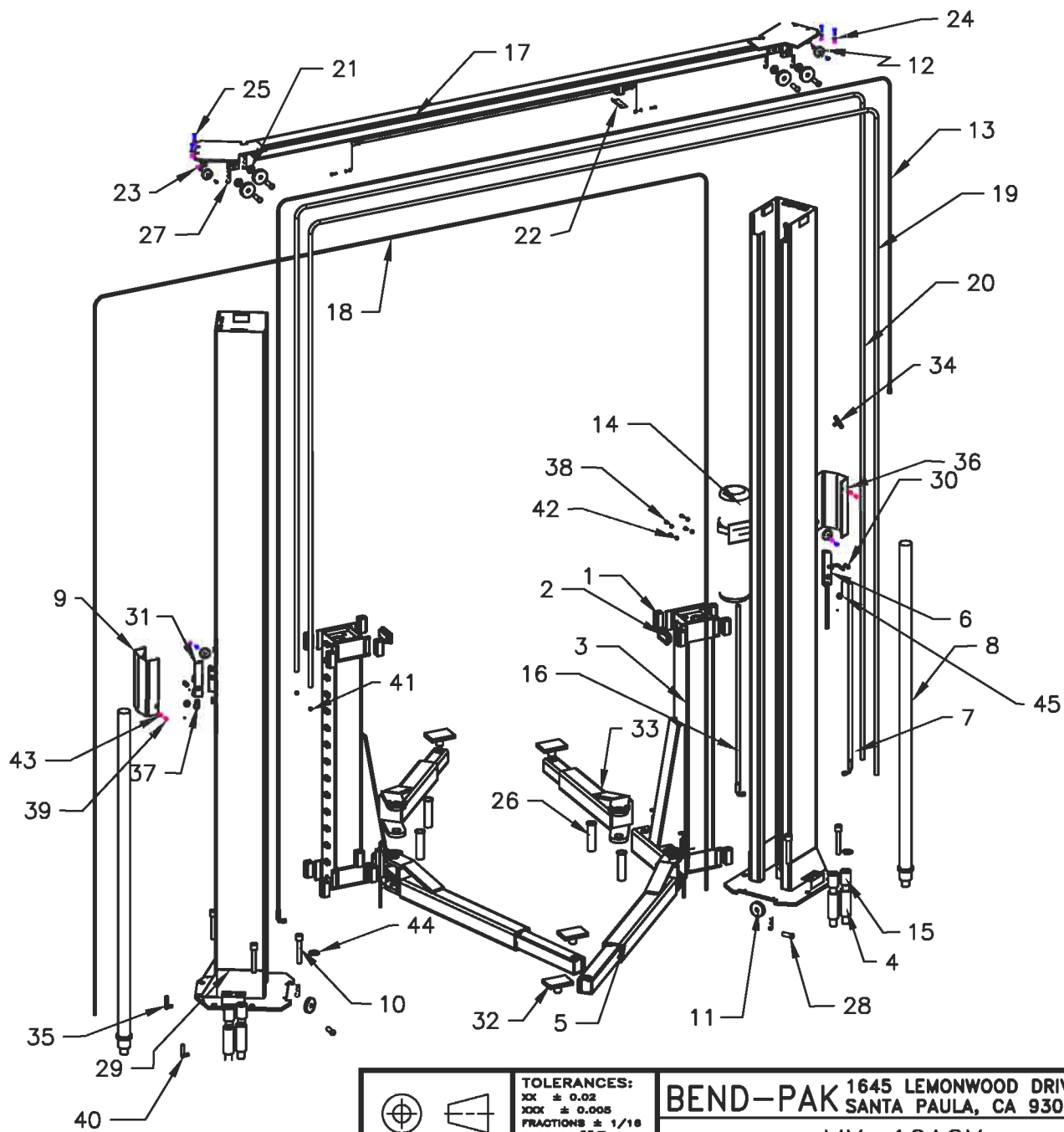
INDEX NO.	PART NO.	DESCRIPTION	Q'TY
-1	5715200	GUIDE BLOCK	16
-2	5715196	PLASTIC CAP	2
-3	5210723	CARRIAGE	2
-4	5746395	PAD EXT.LONG	4
-5	5210731	ARM	2
-6	5210400	SAFETY ASSY 2	2
-7	5570832	1/4 HYDR. HOSE 90 1/2 LG	1
-8	5502300	2x69 CYL.	2
-9	5700312	HANDLE COVER	1
-10	5530450	3/4x5 ANCHOR BOLTS	12
-11	5575310	3" PULLY	6
-12	5575325	SAFETY ROLLER	4
-13	5570765	1/4 HYD.HOSE 310 3/4 LG	1
-14	5585078	POWER UNIT	1
-15	5746390	PAD EXT.SHORT	4
-16	5570770	PWR.UNIT HYD.HOSE 48 LG.	1
-17	5210774	OVERHEAD	1
-18	5595505	3/32 CABLE 290 LG.	1
-19	5595490	3/8 CABLE 350 LG	1
-20	5595500	3/8 CABLE 347 LG	1
-21	5545171	3/4 SAE WASHER	4
-22	5766145	MICRO SWITCH PLATE	1
-23	5535170	3/8-16 HEX NUT	4
-24	5545130	3/8 LOCK WASHER	6
-25	5530136	3/8-16x1 1/2 HHB	4
-26	5505270	LIFT HEAD PIN	4
-27	5505350	HAIR PIN	8
-28	5505320	3/4x1 1/2 CLEVIS PIN	6
-29	5210716	POST ASSY	2
-30	5545235	3/8 PUSH ON WASHER	4
-31	5210725	SAFETY ASSY 1	1
-32	5210700	RUBBER PAD	4
-33	5210729	ARM	2
-34	5550310	1/4"TEE" FITT.	1
-35	5550113	1/4 90°FIT.	2
-36	5210779	POWER SIDE COVER	1
-37	5505390	3/4x2 1/2 CLEVIS PIN	2
-38	5530260	5/16-18x3/4 HHB PWR.UNIT	4
-39	5530245	3/8-16x1 HHB HADLE.COVER	2
-40	5550103	1/4 90°O RING 3/8	1
-41	5535100	5/8-11 HEX NUT FOR CABLE	2
-42	5535122	5/16-18 NYLOCK NUT	6
-43	5535110	3/8-16 NYLOCK FOR HDLE.COVER	2
-44	5545535	C-SHIM	25
-45	5540130	SPRING	2



 PROJECTION APPROVED	TOLERANCES: XX ± 0.02 XXX ± 0.005 FRACTIONS ± 1/16 SURFACE 63/ DIA. Ø ±.005 ANGLES ± 1/2° QTY REQ'D	BEND-PAK 1645 LEMONWOOD DRIVE SANTA PAULA, CA 93060	
		MX-10AC	
		MAT'L:	
		DATE: 10/7/03	REV.
CAGE CODE ØA223	NEXT ASSY	SCALE:	MX-10AC

NOTES: UNLESS OTHERWISE SPECIFIED

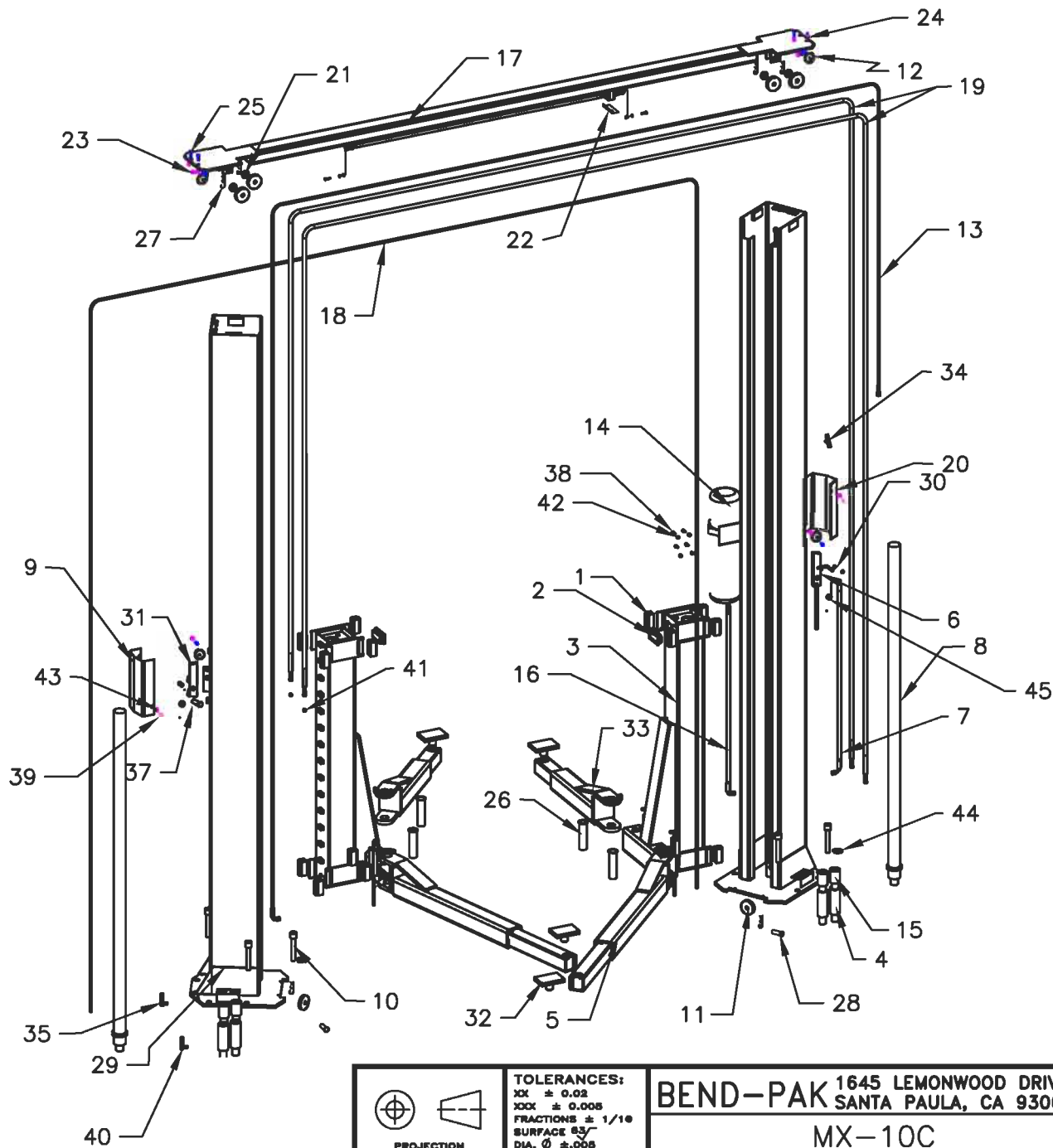
INDEX NO.	PART NO.	DESCRIPTION	Q'TY
-1	5715200	GUIDE BLOCK	16
-2	5715196	PLASTIC CAP	2
-3	5210723	CARRIAGE	2
-4	5746395	PAD EXT.LONG	4
-5	5210731	ARM	2
-6	5210400	SAFETY ASSY 2	2
-7	5570832	1/4 HYRD. HOSE 90 1/2 LG	1
-8	5502300	2x69 CYL.	2
-9	5700312	HANDLE COVER	2
-10	5530450	3/4X5 ANCHOR BOLTS	12
-11	5575310	3" PULLY	6
-12	5575325	SAFETY ROLLER	4
-13	5570775	1/4 HYD.HOSE 323 3/4 LG	1
-14	5585078	POWER UNIT	1
-15	5746390	PAD EXT.SHORT	4
-16	5570770	PWR.UNIT HYD.HOSE 48 LG.	1
-17	5210726	OVERHEAD	1
-18	5595517	3/32 CABLE 303 LG.	1
-19	5595510	3/8 CABLE 360 LG.	1
-20	5595515	3/8 CABLE 363 LG.	1
-21	5545171	3/4 SAE WASHER	4
-22	5766145	MICRO SWITCH PLATE	1
-23	5535170	3/8-16 NUT	6
-24	5545130	3/8 LOCK WASHER	6
-25	5530136	3/8-16x1 1/2 HHB	4
-26	5505270	LIFT HEAD PIN	4
-27	5505350	HAIR PIN	6
-28	5505320	3/4x1 1/2 CLEVIS PIN	6
-29	5210716	POST ASSY	2
-30	5545235	3/8 PUSH ON WASHER	4
-31	5210725	SAFETY ASSY 1	1
-32	5210700	RUBBER PAD	4
-33	5210877	ARM	2
-34	5550310	1/4"TEE" FITT.	1
-35	5550113	1/4 90°FITT.	2
-36	5210779	POWER SIDE COVER	1
-37	5505390	3/4x2 1/2 CLEVIS PIN	2
-38	5530260	5/16-18x3/4 HHB PWR.UNIT	4
-39	5530245	3/8-16x1 HHB HDLE.COVER	2
-40	5550103	1/4 90°O RING 3/8	1
-41	5535100	5/8-11 HEX NUT FOR CABLE	2
-42	5535122	5/16-18 NYLOCK NUT	6
-43	5535110	3/8-16 NYLOCK HANDLE COVER	2
-44	5545535	C-SHIMS	25
-45	5540130	SPRING	2



 PROJECTION APPROVED	TOLERANCES: XX ± 0.02 XXX ± 0.005 FRACTIONS ± 1/16 SURFACE $\sqrt{\text{R}}$ OIA. ϕ ± 0.005 ANGLES ± 1/2° QTY REQ'D	BEND-PAK 1645 LEMONWOOD DRIVE SANTA PAULA, CA 93060	
		MX-10ACX	
		MAT'L:	
		DATE: 10/8/03	REV.
CAGE CODE ØA223	NEXT ASSY	SCALE:	MX-10ACX

NOTES: UNLESS OTHERWISE SPECIFIED

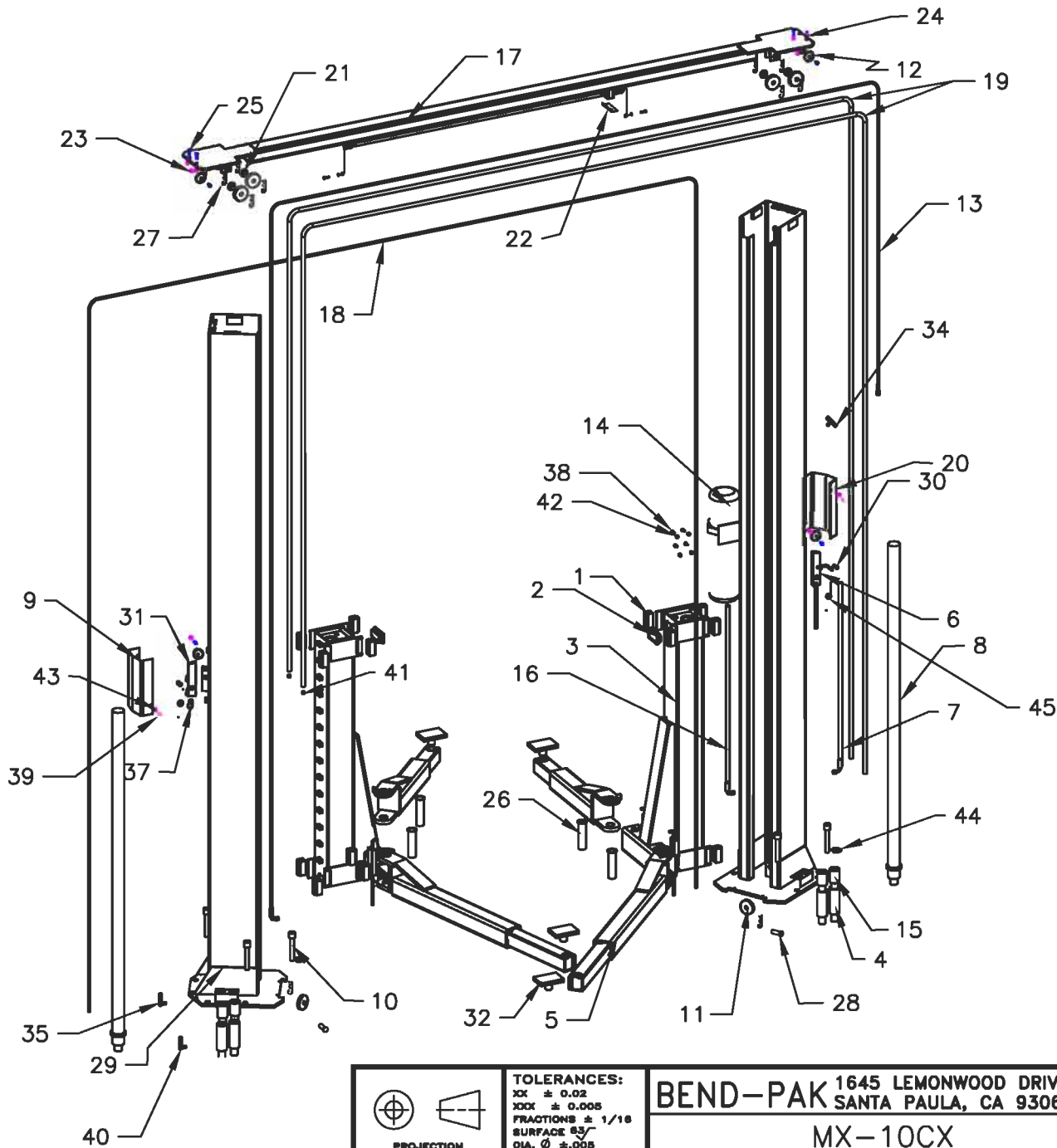
INDEX NO.	PART NO.	DESCRIPTION	Q'TY
-1	5715200	GUIDE BLOCK	16
-2	5715196	PLASTIC CAP	2
-3	5210723	CARRIAGE	2
-4	5746395	PAD EXT.LONG	4
-5	5210776	SHORT STRAIGHT ARM	2
-6	5210400	SAFETY ASSY 2	2
-7	5570832	1/4 HYDR.HOSE 90 1/2 LG	1
-8	5502300	2x69 CYL.	2
-9	5700312	HANDLE COVER	1
-10	5530450	3/4x5 ANCHOR BOLTS	12
-11	5575310	3" PULLY	6
-12	5575325	SAFETY ROLLER	4
-13	5570765	1/4 HYD.HOSE 310 3/4 LG	1
-14	5585078	POWER UNIT	1
-15	5746390	PAD EXT.SHORT	4
-16	5570770	PWR.UNIT HYD.HOSE 48 LG.	1
-17	5210777	OVERHEAD	1
-18	5595505	3/32 CABLE 290 LG.	1
-19	5595490	3/8 CABLE 350 LG.	2
-20	5210779	POWER SIDE COVER	1
-21	5545171	3/4 SAE WASHER	4
-22	5766145	MICRO SWITCH PLATE	1
-23	5535170	3/8-16 HEX NUT	4
-24	5545130	3/8 LOCK WASHER	6
-25	5530136	3/8-16x1 1/2 HHB	4
-26	5505270	LIFT HEAD PIN	4
-27	5505350	HAIR PIN	8
-28	5505320	3/4x1 1/2 CLEVIS PIN	2
-29	5210716	POST ASSY	2
-30	5545235	3/8 PUSH ON WASHER	4
-31	5210725	SAFETY ASSY 1	1
-32	5210700	RUBBER PAD	4
-33	5210812	MIDIUM STRAIGHT ARM	2
-34	5550310	1/4"TEE" FITT.	1
-35	5550113	1/4 90° FITT.	2
-36			
-37	5505390	3/4x2 1/2 CLEVIS PIN	2
-38	5530260	5/16-18x3/4 HHB FOR PWR.UNIT	4
-39	5530350	5/16-18x1 1/2 HHB FOR HDLE.COVER	2
-40	5550103	1/4 90° O-RING 3/8	1
-41	5535100	5/8-11 HEX NUT FOR CABLE	2
-42	5535122	5/16-18 NYLOCK NUT	6
-43	5535110	3/8-16 NYLOCK HANDLE COVER	2
-44	5545535	C-SHIM	25
-45	5540130	SPRING	2




 PROJECTION	TOLERANCES: XX ± 0.02 XXX ± 0.005 FRACTIONS ± 1/16 SURFACE $\sqrt{\text{R}}$ DIA. ϕ ± 0.005 ANGLES ± 1/2° QTY REQ'D	BEND-PAK 1645 LEMONWOOD DRIVE SANTA PAULA, CA 93060	
		MX-10C	
APPROVED		MAT'L:	
		DATE: 10/6/03	REV.
CAGE CODE ØA223	NEXT ASSY	SCALE:	MX-10C

NOTES: UNLESS OTHERWISE SPECIFIED

INDEX NO.	PART NO.	DESCRIPTION	Q'TY
-1	5715200	GUIDE BLOCK	16
-2	5715196	PLASTIC CAP	2
-3	5210723	CARRIAGE	2
-4	5746395	PAD EXT.LONG	4
-5	5210776	MEDIUM STRAIGHT ARM	4
-6	5210400	SAFETY ASSY 2	1
-7	5570832	1/4 HYRD.HOSE 90 1/2 LG	1
-8	5502300	2x69 CYL.	2
-9	5700312	HANDLE COVER	1
-10	5530450	3/4x5 ANCHOR BOLTS	12
-11	5575310	3" PULLY	6
-12	5575325	SAFETY ROLLER	4
-13	5570775	1/4 HYD.HOSE 323 3/4 LG	1
-14	5585078	POWER UNIT	1
-15	5746390	PAD EXT.SHORT	4
-16	5570770	PWR.UNIT HYD.HOSE 48 LG.	1
-17	5210778	OVERHEAD	1
-18	5595517	3/32 CABLE 303 LG.	1
-19	5595515	3/8 CABLE 363 LG	2
-20	5210779	POWER SIDE COVER	1
-21	5545171	3/4 SAE WASHER	4
-22	5766145	MICRO SWITCH PLATE	1
-23	5535170	3/8-16 HEX NUT	4
-24	5545130	3/8 LOCK WASHER	6
-25	5530136	3/8-16x1 1/2 HHB	4
-26	5505270	LIFT HEAD PIN	4
-27	5505350	HAIR PIN	10
-28	5505320	3/4x1 1/2 CLEVIS PIN	2
-29	5210716	POST ASSY	2
-30	5545235	3/8 PUSH ON WASHER	4
-31	5210725	SAFETY ASSY 1	1
-32	5210700	RUBBER PAD	4
-33			
-34	5550310	1/4"TEE" FITT.	1
-35	5550113	1/4 90° FITT.	2
-36			
-37	5505390	3/4x2 1/2 CLEVIS PIN	2
-38	5530260	5/16-18x3/4 HHB FOR PWR.UNIT	4
-39	5530350	5/16-18x1 1/2 HHB FOR HDLE.COVER	2
-40	5550103	1/4 90° O RING 3/8	1
-41	5535100	5/8-11 HEX NUT FOR CABLE	2
-42	5535122	5/16-18 NYLOCK NUT	6
-43	5535110	3/8-16 NYLOCK FOR HNDLE.COVER	2
-42	5535122	5/16-18 NYLOCK NUT	6
-43	5535110	3/8-16 NYLOCK FOR HNDLE.COVER	2
-44	5545535	C-SHIM	25
-45	5540130	SPRING	2

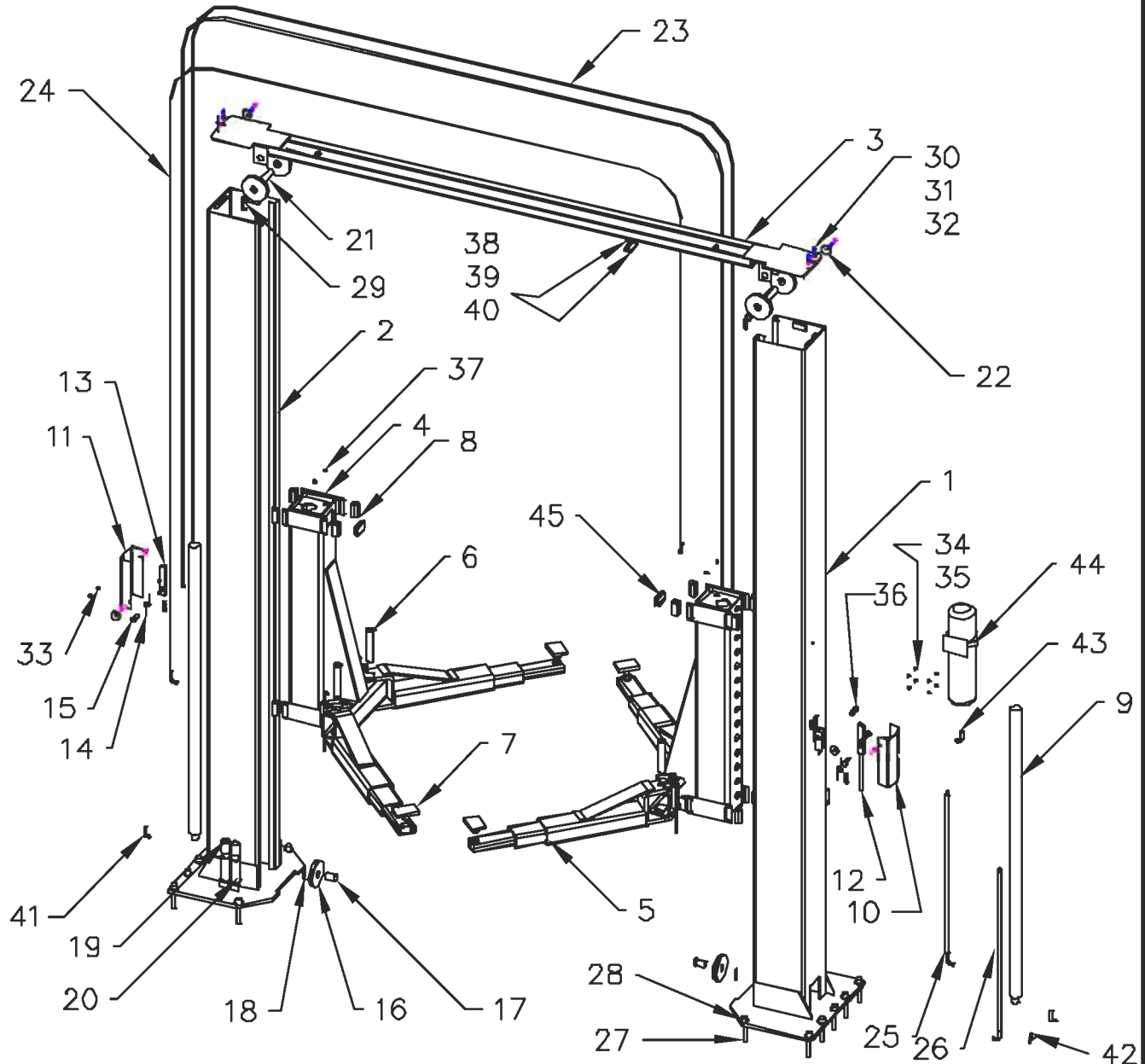



 PROJECTION APPROVED	TOLERANCES: XX ± 0.02 XXX ± 0.005 FRACTIONS ± 1/16 SURFACE $\sqrt{\text{R}}$ DIA. ϕ ± 0.005 ANGLES ± 1/2° QTY REQ'D	BEND-PAK 1645 LEMONWOOD DRIVE SANTA PAULA, CA 93060	
		MX-10CX	
		MAT'L:	
		DATE: 10/6/03	REV.
GAGE CODE ØA223	NEXT ASSY	SCALE:	MX-10CX

NOTES: UNLESS OTHERWISE SPECIFIED

#	ITEM NO.	DESCRIPTION	QTY
1.	5210721	PWR SIDE POST	1
2.	5210722	OFFSIDE POST	1
3.	5210713	TOP TROUGH	1
4.	5210734	LIFT HEAD	2
5.	5210425	TELESCOPING ARM	4
6.	5505310	ARM PIVOT PIN	4
7.	5210700	LIFT PAD	4
8.	5715200	SLIDE BLOCK	16
9.	5502305	2.5"x 69" CYLINDER	2
10.	5210779	PWR SIDE COVER	1
11.	5700312	OFFSIDE COVER	1
12.	5210400	PWR SIDE SAFETY	1
13.	5210725	OFFSIDE SAFETY	1
14.	5540130	SAFETY SPRING	2
15.	5505390	3/4x2 1/2 CLEVIS PIN	2
16.	5575320	6" EQUALIZER ROLLER	6
17.	5505320	3/4x1 1/2 CLEVIS PIN	2
18.	5505350	LARGE HAIRPIN CLIP	8
19.	5746390	3" HEIGHT ADAPTER	4
20.	5746395	6" HEIGHT ADAPTER	4
21.	5746102	TOP ROLLER PIN	2
22.	5575325	2" SAFETY SHEAVE	4
23.	5595460	1/2" CABLE 418" LONG	2
24.	5570760	1/4" HOSE 371 3/4" LONG	1
25.	5570832	1/4" HOSE 90 1/2" LONG	1
26.	5570770	1/4" HOSE 48" LONG	1
27.	5530325	3/4x7" ANCHOR BOLTS	14
28.	5545535	C-SHIMS	25
29.	5545171	3/4" SAE FLAT WASHER	4
30.	5530136	3/8-16x1 1/2 HEX BOLT	4
31.	5545130	3/8" LOCK WASHER	4
32.	5535170	3/8-16 HEX NUT	4
33.	5545235	3/8" PUSH ON WASHER	2
34.	5530260	5/16-18x3/4 HEX BOLT	6
35.	5535122	5/16-18 NYLOCK NUT	6
36.	5535160	1/2-13 HEX NUT	2
37.	5535155	3/4-10 HEX NUT	4
38.	5766145	MICRO SWITCH HOUSING	1
39.	5700692	MICRO SWITCH COVER PL.	1
40.	5525110	MICRO SWITCH	1
41.	5550113	2501LL-4-4 90-DEG FITT.	2
42.	5550310	2703-4-4-4 T-FITTING	1
43.	5550103	6801-4-6 PWR. UNIT FITT.	1
44.	5585074	AB-1522 POWER UNIT	1
45.	5715196	3"x4" PLASTIC COVER	2

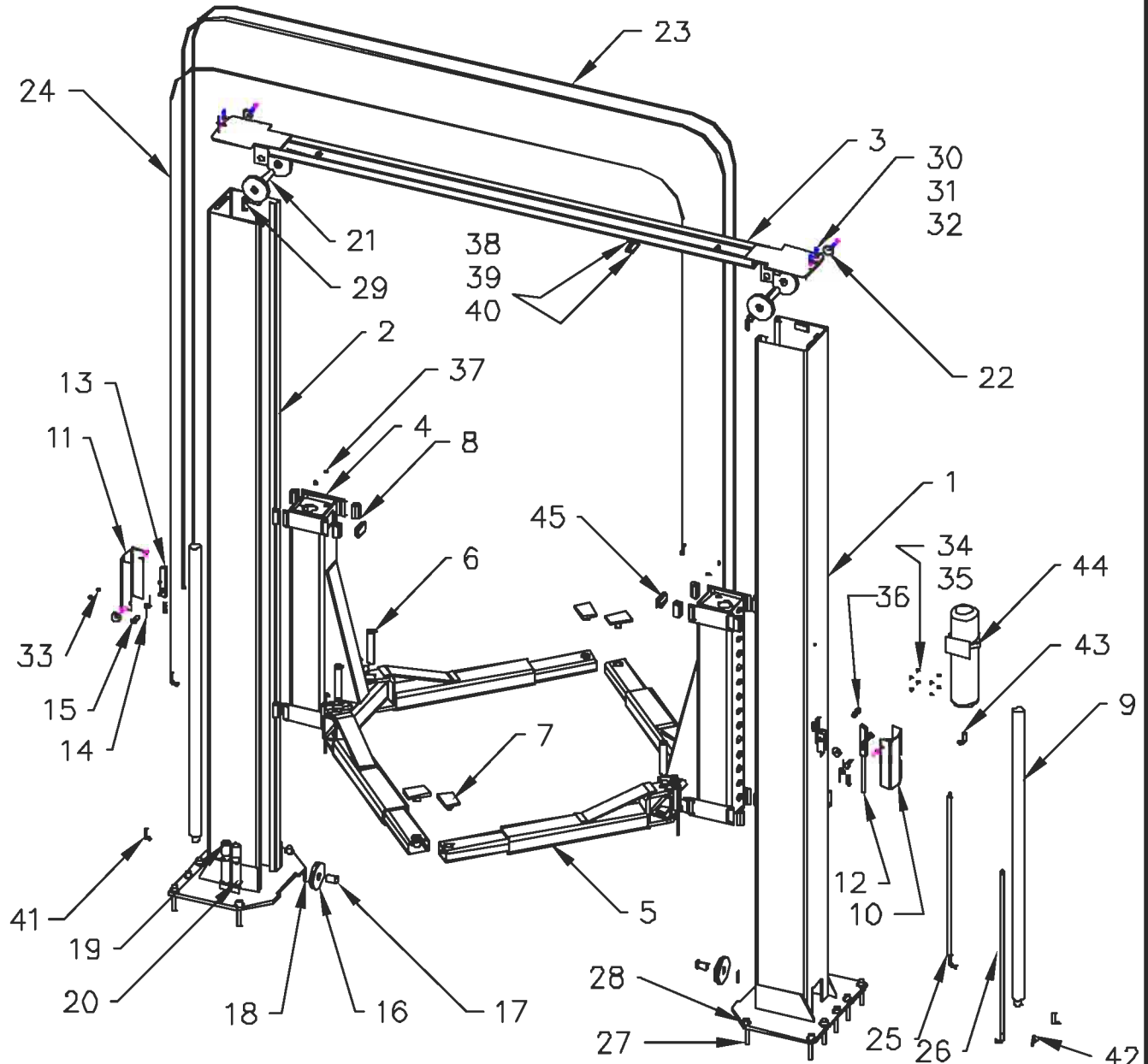
NOTES: UNLESS OTHERWISE SPECIFIED




 PROJECTION APPROVED	TOLERANCES: XX ± 0.02 XXX ± 0.005 FRACTIONS & 1/16 SUBTRACT 1/32 DIA. 0 ± 0.005 ANGLES ± 1/2° QTY RED'D	BEND-PAK 1645 LEMONWOOD DRIVE SANTA PAULA, CA 93060	
		MX-12CTA	
		MAT'L:	
		DATE: 08/11/04	REV.
DATE CODE 0A223	NEXT ASSY	SCALE: N/A	

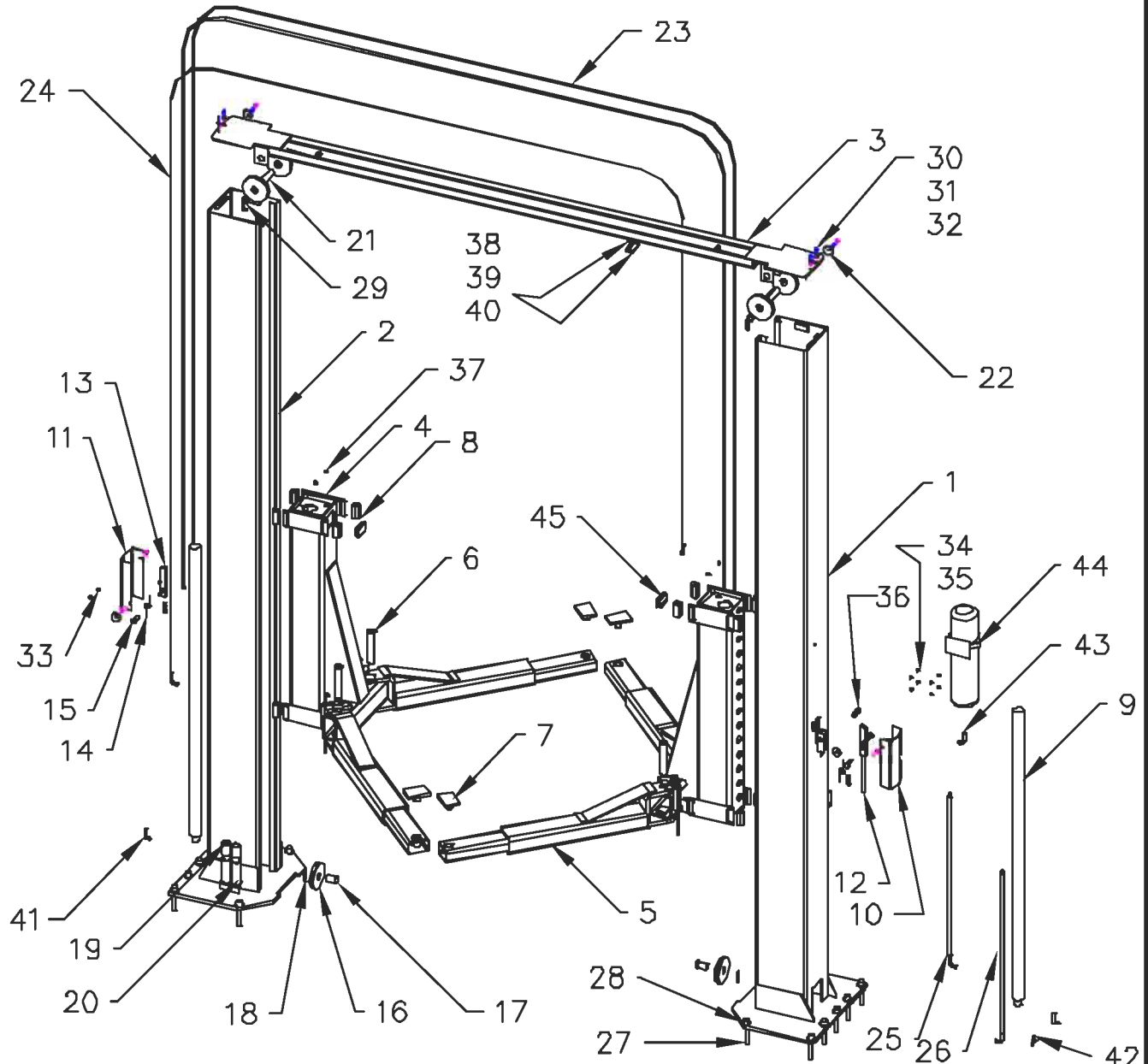
#	ITEM NO.	DESCRIPTION	QTY
1.	5210721	PWR SIDE POST	1
2.	5210722	OFFSIDE POST	1
3.	5210713	TOP TROUGH	1
4.	5210734	LIFT HEAD	2
5.	5210917	ARM ASSEMBLY	4
6.	5505310	ARM PIVOT PIN	4
7.	5210700	LIFT PAD	4
8.	5715200	SLIDE BLOCK	16
9.	5502305	2.5" x 69" CYLINDER	2
10.	5210779	PWR SIDE COVER	1
11.	5700312	OFFSIDE COVER	1
12.	5210400	PWR SIDE SAFETY	1
13.	5210725	OFFSIDE SAFETY	1
14.	5540130	SAFETY SPRING	2
15.	5505390	3/4x2 1/2 CLEVIS PIN	2
16.	5575320	6" EQUALIZER ROLLER	6
17.	5505320	3/4x1 1/2 CLEVIS PIN	2
18.	5505350	LARGE HAIRPIN CLIP	8
19.	5746390	3" HEIGHT ADAPTER	4
20.	5746395	6" HEIGHT ADAPTER	4
21.	5746102	TOP ROLLER PIN	2
22.	5575325	2" SAFETY SHEAVE	4
23.	5595460	1/2" CABLE 418" LONG	2
24.	5570760	1/4" HOSE 371 3/4" LONG	1
25.	5570832	1/4" HOSE 90 1/2" LONG	1
26.	5570770	1/4" HOSE 48" LONG	1
27.	5530325	3/4x7" ANCHOR BOLTS	14
28.	5545535	C-SHIMS	25
29.	5545171	3/4" SAE FLAT WASHER	4
30.	5530136	3/8-16x1 1/2 HEX BOLT	4
31.	5545130	3/8" LOCK WASHER	4
32.	5535170	3/8-16 HEX NUT	4
33.	5545235	3/8" PUSH ON WASHER	2
34.	5530260	5/16-18x3/4 HEX BOLT	6
35.	5535122	5/16-18 NYLOCK NUT	6
36.	5535160	1/2-13 HEX NUT	2
37.	5535155	3/4-10 HEX NUT	4
38.	5766145	MICRO SWITCH HOUSING	1
39.	5700692	MICRO SWITCH COVER PL.	1
40.	5525110	MICRO SWITCH	1
41.	5550113	2501LL-4-4 90-DEG FITT.	2
42.	5550310	2703-4-4-4 T-FITTING	1
43.	5550103	6801-4-6 PWR. UNIT FITT.	1
44.	5585077	AB-1523 PWR. UNIT	1
45.	5715196	3"x4" PLASTIC COVER	2

NOTES: UNLESS OTHERWISE SPECIFIED




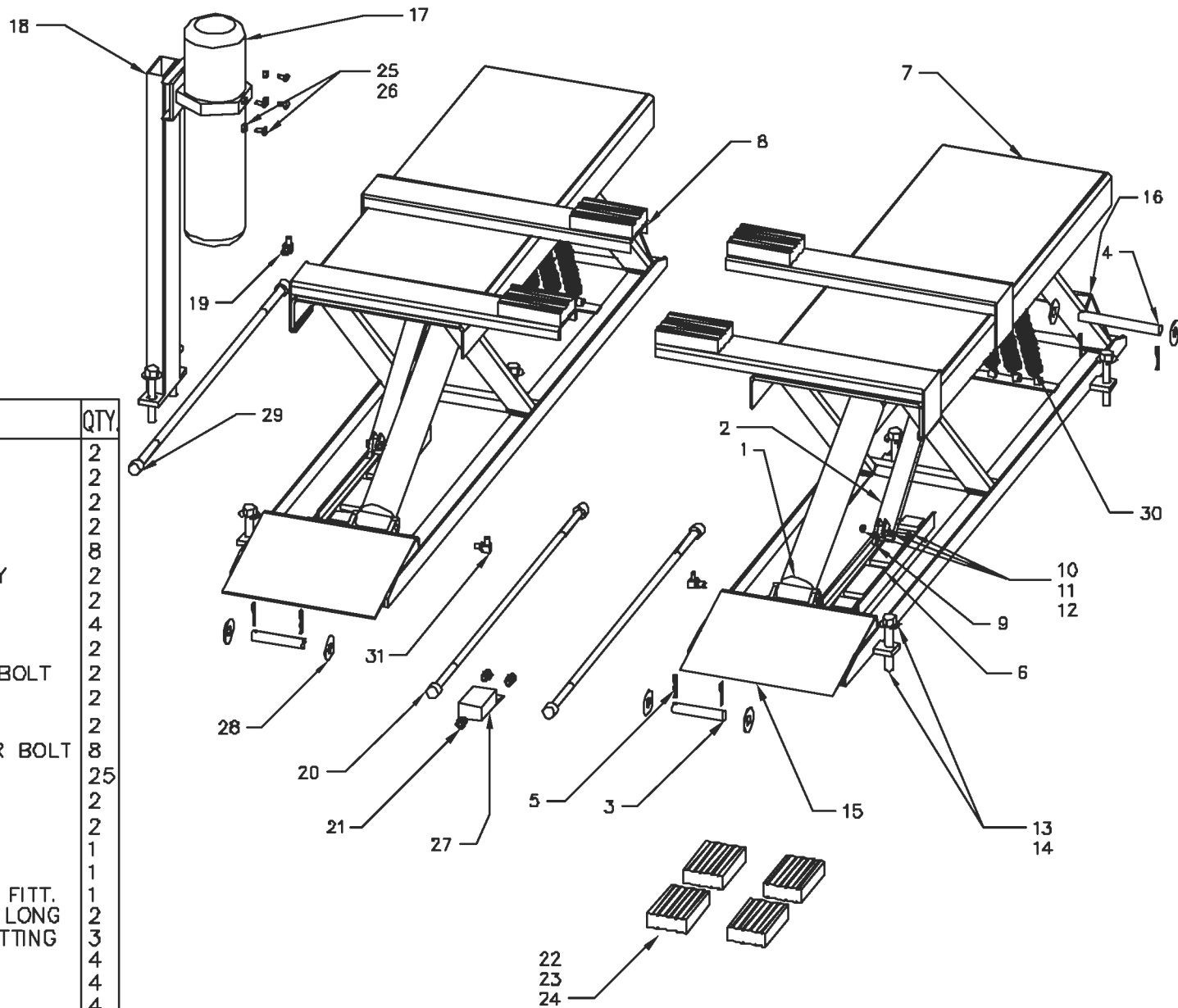
 PROJECTION APPROVED	TOLERANCES: XX ± 0.02 XXX ± 0.005 FRACTIONS ± 1/16 SURFACE ± 3/32 DIA. ± 0.005 ANGLES ± 1/2° QTY REQ'D	BEND-PAK 1645 LEMONWOOD DRIVE SANTA PAULA, CA 93060	
		MX-15C	
		MAT'L:	
		DATE: 08/11/04	REV.
DATE: 08/11/04 0A223	NEXT ASSEMBLY	SCALE: N/A	

#	ITEM NO.	DESCRIPTION	QTY
1.	5210721	PWR SIDE POST	1
2.	5210722	OFFSIDE POST	1
3.	5210713	TOP TROUGH	1
4.	5210734	LIFT HEAD	2
5.	5210917	ARM ASSEMBLY	4
6.	5505310	ARM PIVOT PIN	4
7.	5210700	LIFT PAD	4
8.	5715200	SLIDE BLOCK	16
9.	5502305	2.5" x 69" CYLINDER	2
10.	5210779	PWR SIDE COVER	1
11.	5700312	OFFSIDE COVER	1
12.	5210400	PWR SIDE SAFETY	1
13.	5210725	OFFSIDE SAFETY	1
14.	5540130	SAFETY SPRING	2
15.	5505390	3/4x2 1/2 CLEVIS PIN	2
16.	5575320	6" EQUALIZER ROLLER	6
17.	5505320	3/4x1 1/2 CLEVIS PIN	2
18.	5505350	LARGE HAIRPIN CLIP	8
19.	5746390	3" HEIGHT ADAPTER	4
20.	5746395	6" HEIGHT ADAPTER	4
21.	5746102	TOP ROLLER PIN	2
22.	5575325	2" SAFETY SHEAVE	4
23.	5595460	1/2" CABLE 418" LONG	2
24.	5570760	1/4" HOSE 371 3/4" LONG	1
25.	5570832	1/4" HOSE 90 1/2" LONG	1
26.	5570770	1/4" HOSE 48" LONG	1
27.	5530325	3/4x7" ANCHOR BOLTS	14
28.	5545535	C-SHIMS	25
29.	5545171	3/4" SAE FLAT WASHER	4
30.	5530136	3/8-16x1 1/2 HEX BOLT	4
31.	5545130	3/8" LOCK WASHER	4
32.	5535170	3/8-16 HEX NUT	4
33.	5545235	3/8" PUSH ON WASHER	2
34.	5530260	5/16-18x3/4 HEX BOLT	6
35.	5535122	5/16-18 NYLOCK NUT	6
36.	5535160	1/2-13 HEX NUT	2
37.	5535155	3/4-10 HEX NUT	4
38.	5766145	MICRO SWITCH HOUSING	1
39.	5700692	MICRO SWITCH COVER PL.	1
40.	5525110	MICRO SWITCH	1
41.	5550113	2501LL-4-4 90-DEG FITT.	2
42.	5550310	2703-4-4-4 T-FITTING	1
43.	5550103	6801-4-6 PWR. UNIT FITT.	1
44.	5585077	AB-1523 POWER UNIT	1
45.	5715196	3"x4" PLASTIC COVER	2



NOTES: UNLESS OTHERWISE SPECIFIED

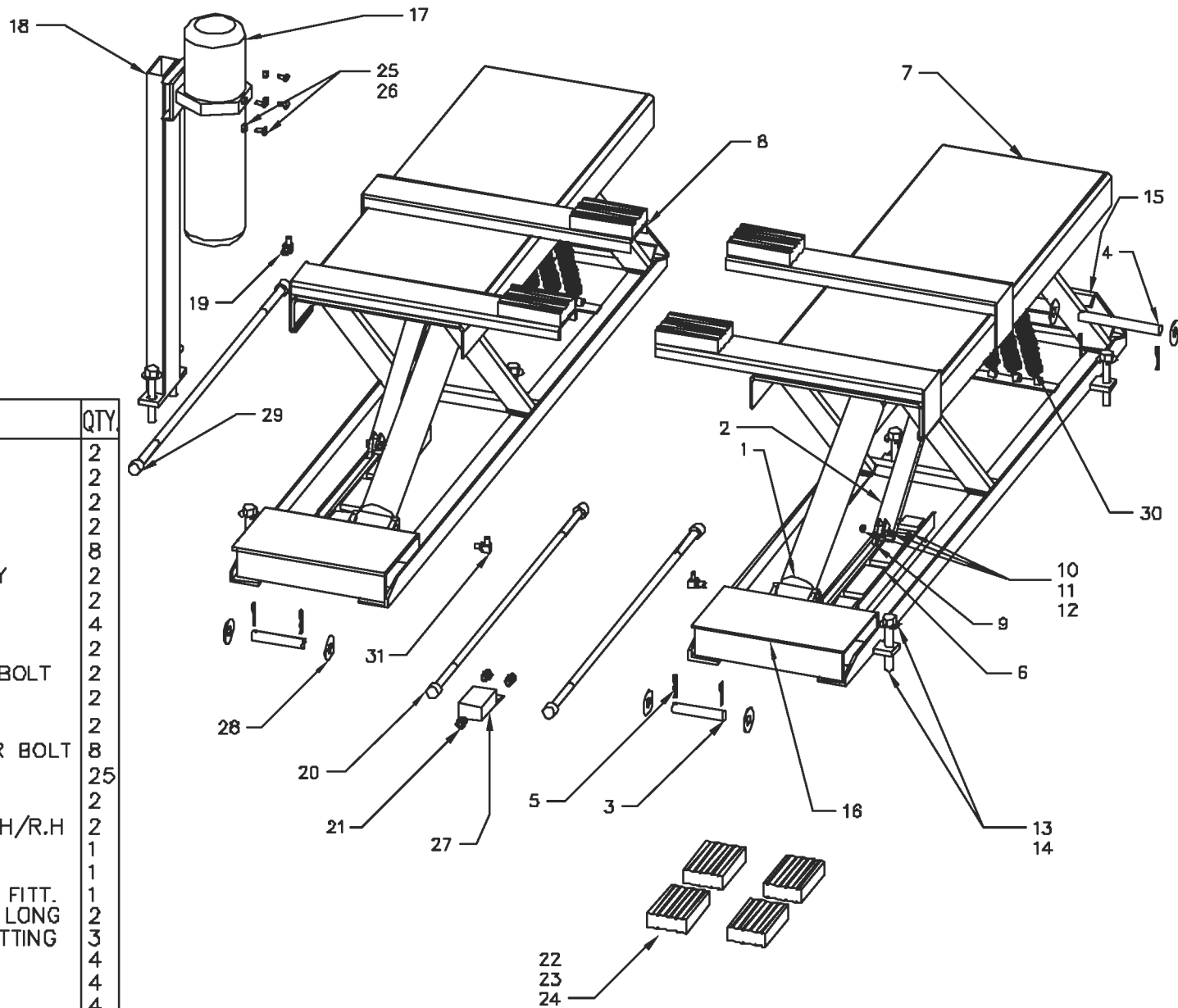
 PROJECTION APPROVED	TOLERANCES: XX ± 0.02 XXX ± 0.005 FRACTIONS ± 1/16 SURFACE ± 3/32 DIA. ± 0.005 ANGLES ± 1/2° QTY REQ'D	BEND-PAK 1645 LEMONWOOD DRIVE SANTA PAULA, CA 93060	
		MX-18C	
		MAT'L:	
		DATE: 08/11/04	REV.
DATE DDDIE 0A223	NEXT ASSEMBLY	SCALE: N/A	



#	ITEM NO.	DESCRIPTION	QTY.
1.	5502135	3" x 18" CYLINDER	2
2.	5210870	SAFETY ARM ASSEMBLY	2
3.	5746586	LOWER HINGE PIN	2
4.	5746587	UPPER HINGE PIN	2
5.	5505400	3/16 x 2" COTTER PIN	8
6.	5210866	SAFETY STOP ASSEMBLY	2
7.	5715290	RUBBER TOP PAD	2
8.	5210447	LR-4A OPTIONAL ARMS	4
9.	5731283	SAFETY LATCH	2
10.	5530136	3/8-16 x 1 1/2" HEX BOLT	2
11.	5535170	3/8-16 HEX NUT	2
12.	5545130	3/8" LOCK WASHER	2
13.	5530455	3/4" x 4 3/4" ANCHOR BOLT	8
14.	5545535	C-SHIM	25
15.	5700657	DRIVE-ON RAMP	2
16.	5700646	DRIVE-OFF RAMP	2
17.	5585094	POWER UNIT AB-1380	1
18.	5210975	POWER UNIT STAND	1
19.	5550497	6801-8-6 POWER UNIT FITT.	1
20.	5570405	1/2" HYDR. HOSE 120" LONG	2
21.	5550132	2404-8-6 STRAIGHT FITTING	3
22.	5585094	1 1/2" RUBBER PAD	4
23.	5700635	3" RUBBER PAD	4
24.	5550103	6" RUBBER PAD	4
25.	5530260	5/16-18 x 3/4" HEX BOLT	4
26.	5535122	5/16-18 NYLOCK NUT	4
27.	5590135	FLOW DIVIDER	1
28.	5535122	1" FLAT WASHER	8
29.	5570410	1/2" HYDR. HOSE 140" LONG	1
30.	5540245	SPRING	8
31.	5550125	2501-8-4 9D-DEG CYL. FITT.	2

NOTES: UNLESS OTHERWISE SPECIFIED

 PROJECTION APPROVED	TOLERANCES: XZ ± 0.00 XYZ ± 0.000 FRACTIONS & 1/16 SUBSTANTIAL DIA. Ø ± 0.005 ANGLES ± 1/2° QTY REQ'D	BEND-PAK 1645 LEMONWOOD DRIVE SANTA PAULA, CA 93060	
		P-6	
		MAT'L:	
		DATE: 09/14/04	REV.
DATE CODE 0A223	WKT ASSY	SCALE:	

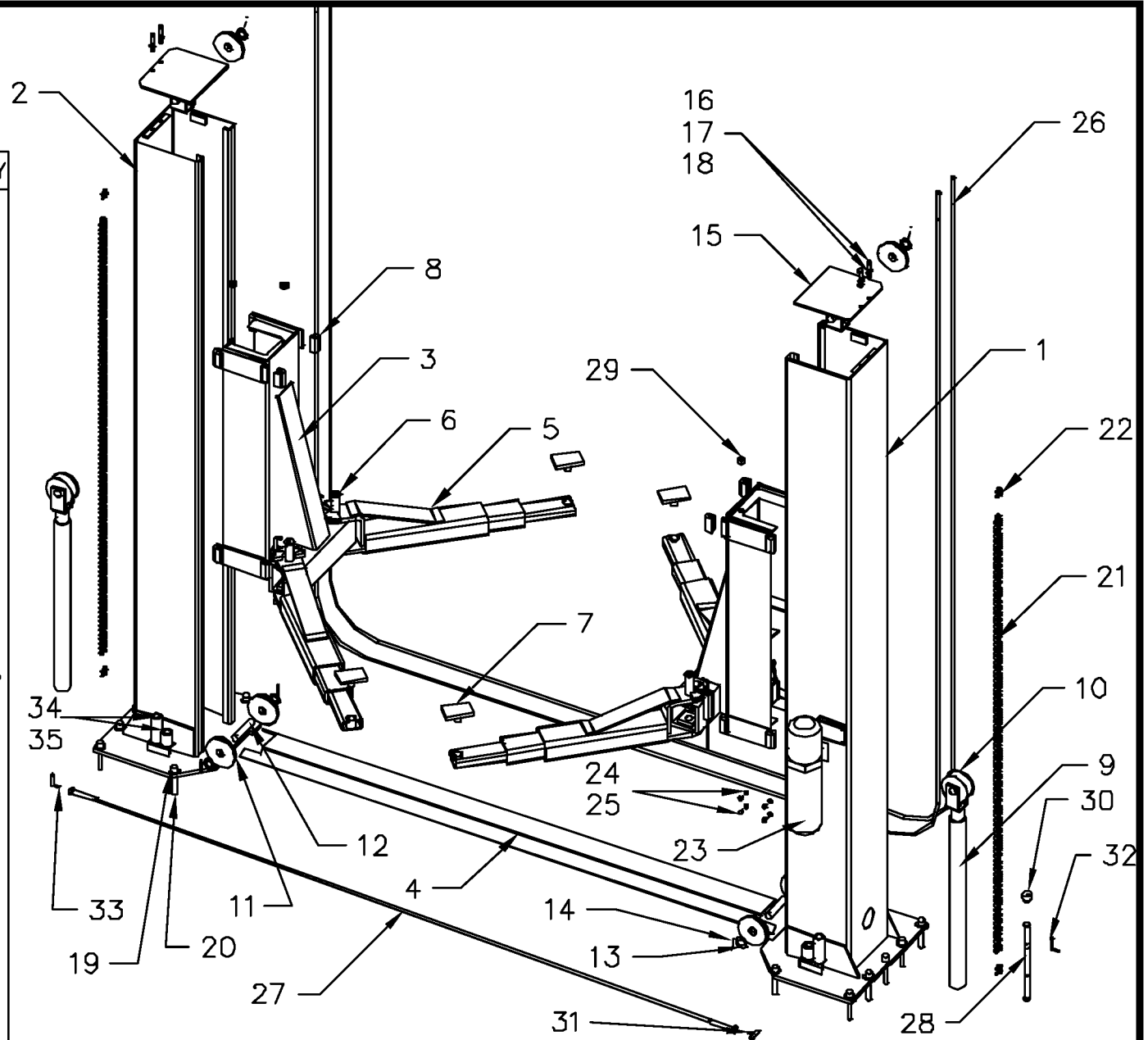


#	ITEM NO.	DESCRIPTION	QTY.
1.	5502135	3" x 18" CYLINDER	2
2.	5210870	SAFETY ARM ASSEMBLY	2
3.	5746586	LOWER HINGE PIN	2
4.	5746587	UPPER HINGE PIN	2
5.	5505400	3/16 x 2" COTTER PIN	8
6.	5210866	SAFETY STOP ASSEMBLY	2
7.	5715290	RUBBER TOP PAD	2
8.	5210447	LR-4A OPTIONAL ARMS	4
9.	5731283	SAFETY LATCH	2
10.	5530136	3/8-16 x 1 1/2" HEX BOLT	2
11.	5535170	3/8-16 HEX NUT	2
12.	5545130	3/8" LOCK WASHER	2
13.	5530455	3/4" x 4 3/4" ANCHOR BOLT	8
14.	5545535	C-SHIM	25
15.	5700651	DRIVE-ON RAMP	2
16.	5700653	FLUSH MOUNT PLATE L.H/R.H	2
17.	5585094	POWER UNIT AB-1380	1
18.	5210975	POWER UNIT STAND	1
19.	5550497	6801-8-6 POWER UNIT FITT.	1
20.	5570405	1/2" HYDR. HOSE 120" LONG	2
21.	5550132	2404-8-6 STRAIGHT FITTING	3
22.	5585094	1 1/2" RUBBER PAD	4
23.	5700635	3" RUBBER PAD	4
24.	5550103	6" RUBBER PAD	4
25.	5530260	5/16-18 x 3/4" HEX BOLT	4
26.	5535122	5/16-18 NYLOCK NUT	4
27.	5590135	FLOW DIVIDER	1
28.	5535122	1" FLAT WASHER	8
29.	5570410	1/2" HYDR. HOSE 140" LONG	1
30.	5540245	SPRING	8
31.	5550125	2501-8-4 9D-DEG CYL. FITT.	2

NOTES: UNLESS OTHERWISE SPECIFIED

 PROJECTION APPROVED	TOLERANCES: XX ± 0.02 XXX ± 0.005 FRACTIONS & 1/16 SURFACE R _A DIA. Ø ± 0.010 ANGLES ± 1/2° QTY REQ'D	BEND-PAK 1645 LEMONWOOD DRIVE SANTA PAULA, CA 93060	
		P-6F	
		MAT'L:	
		DATE: 09/15/04	REV.
DATE CODE 0A223	NEXT ASSY	SCALE:	

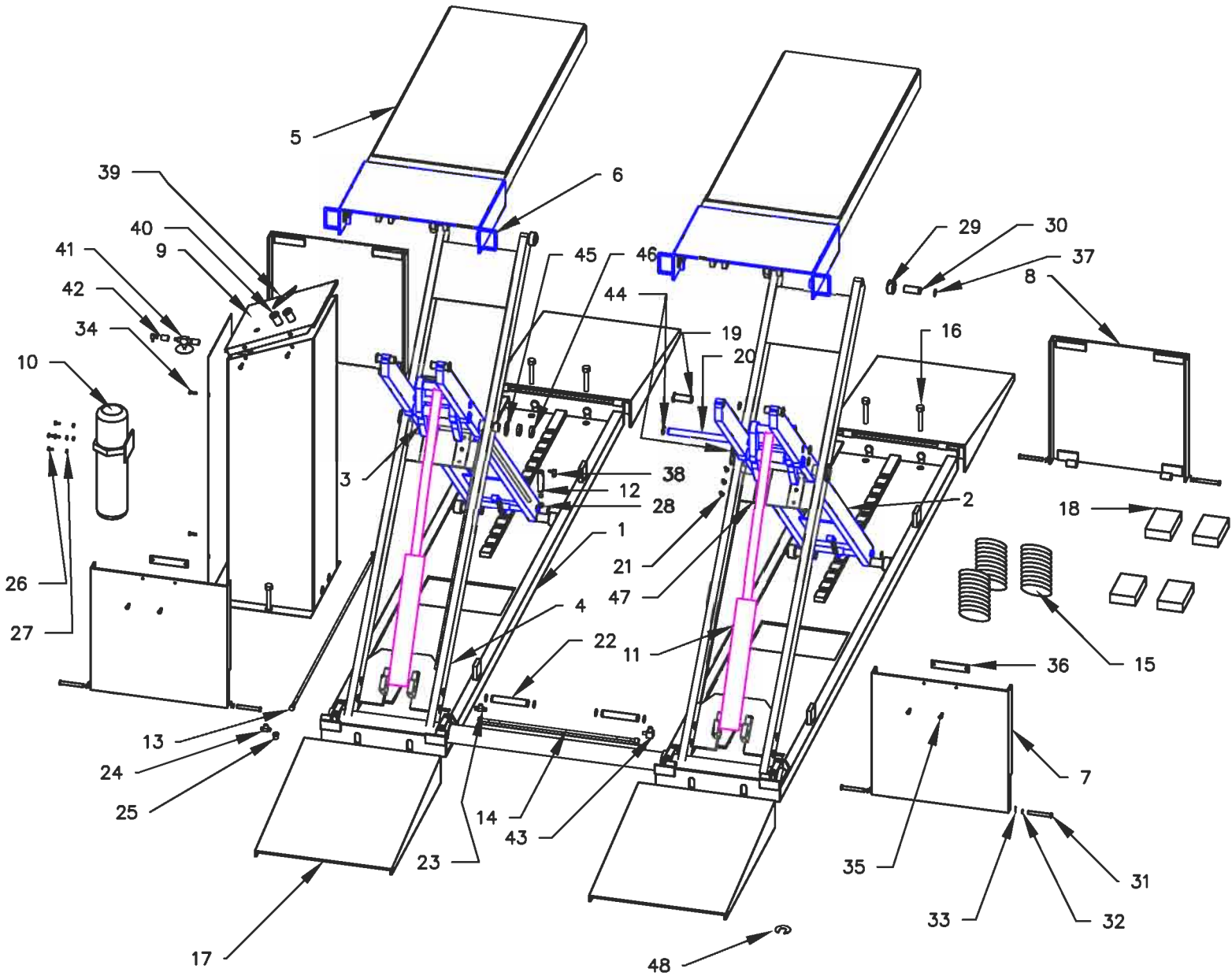
#	ITEM NO.	DESCRIPTION	QTY
1.	5210846	PWR SIDE POST	1
2.	5210847	OFFSIDE POST	1
3.	5210957	LIFT HEAD	2
4.	5700220	FLOOR COVER PLATE	1
5.	5210425	TELESCOPING ARM	4
6.	5505310	ARM PIVOT PIN	4
7.	5210700	LIFT PAD	4
8.	5715200	SLIDE BLOCK	16
9.	5502125	3"x37" CYLINDER	2
10.	5210709	CYLINDER ROLLER ASSY.	2
11.	5575320	6" EQUALIZER ROLLER	6
12.	5746230	EQUALIZER ROLLER SHAFT	4
13.	5545162	1-3/8" FLAT WASHER	6
14.	5505405	3/16"x2 1/2" COTTER PIN	6
15.	5210956	POST TOP PLATE	2
16.	5530231	1/2-13x1 1/2" HEX BOLT	2
17.	5545125	1/2" LOCK WASHER	2
18.	5535160	1/2-13 HEX NUT	2
19.	5530325	3/4"x7" ANCHOR BOLTS	14
20.	5545535	C-SHIM	25
21.	5510503	BL646 CHAIN 69 3/4" LONG	2
22.	5510320	CONNECTING LINKS	4
23.	5585082	POWER UNIT (AB-1468)	1
24.	5530260	5/16-18x3/4" HEX BOLT	4
25.	5535122	5/16-18 NYLOCK NUT	4
26.	5595317	1/2" CABLE 403" LONG	2
27.	5570440	1/4" HOSE 140" LONG	1
28.	5570123	1/4" HOSE 48 1/2" LONG	1
29.	5535155	3/4-10 HEX NUT	4
30.	5550146	REDUCER 5406-6-4	1
31.	5550148	T FITTING 2605-4-4-4	1
32.	5550103	PWR. UNIT FITT. 6801-4-6	1
33.	5550106	90-DEG FITT. 2501-4-6	1
34.	5746395	6" HEIGHT ADAPTER	4
35.	5746390	3" HEIGHT ADAPTER	4



 PROJECTION APPROVED:	 TOLERANCES: XX ± 0.02 XXX ± 0.005 FRACTIONS & 1/16 SUBTRACT 1/32 DIA. 0 ± 0.005 ANGLES ± 1/2° QTY REQ'D	1645 LEMONWOOD DRIVE BEND-PAK SANTA PAULA, CA 93060	
		PR-12FTA	
		MAT'L:	
		DATE: 08/13/04	REV.
DATE CODE 0A223	NEXT ASSY	SCALE: N/A	

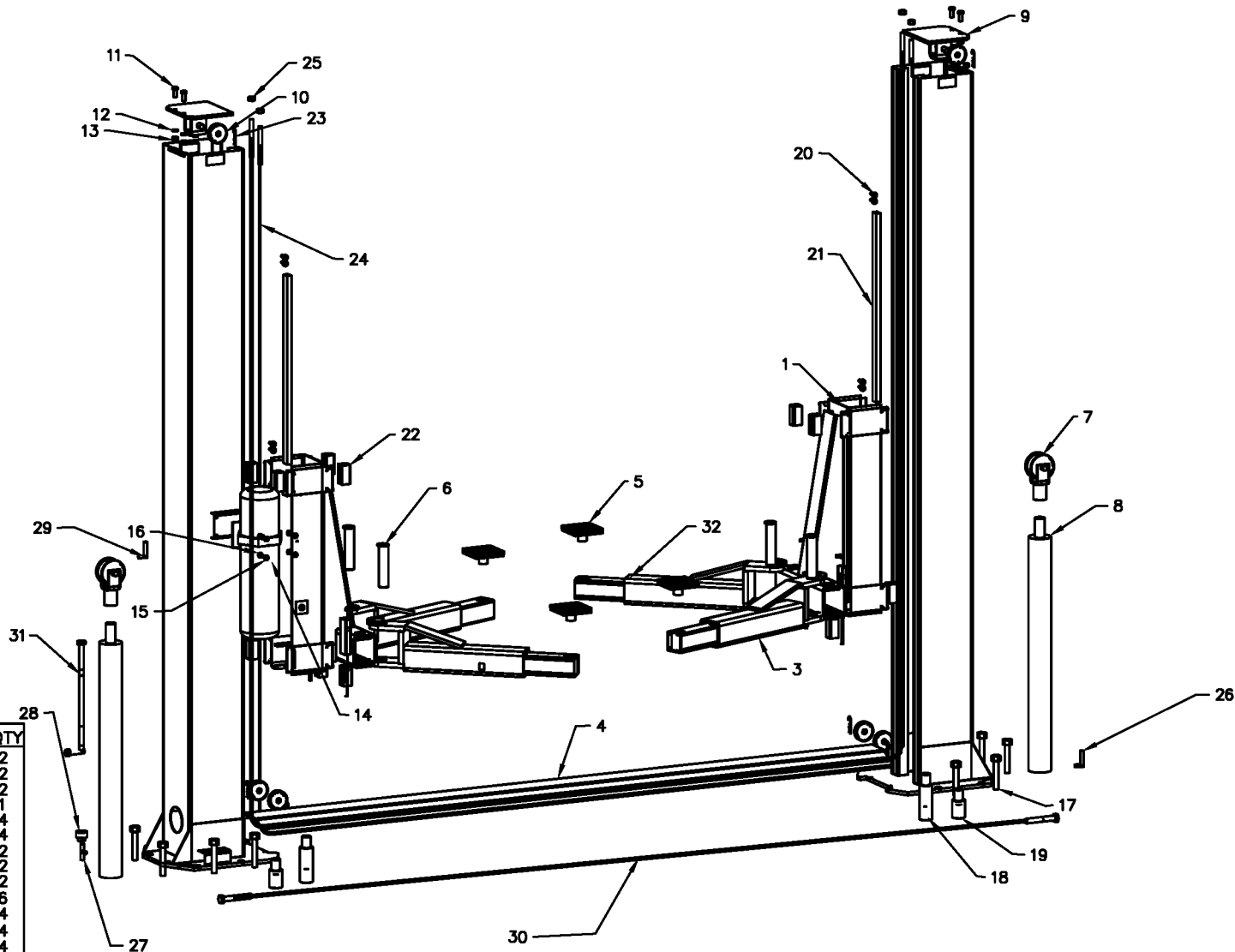
NOTES: UNLESS OTHERWISE SPECIFIED

#	ITEM #	DESCRIPTION	QTY
1	-	RAMP ASSEMBLY	2
2	-	INNER ARM ASSEMBLY	2
3	-	CYLINDER GUIDE ASSY	2
4	-	OUTER ARM ASSEMBLY	2
5	-	LIFT COVER ASSEMBLY	2
6	5210908	LIFT COVER EXTENSION	2
7	-	RAMP COVER/ CYL SIDE	2
8	-	RAMP COVER/ SAFETY S	2
9	5210770	POWER UNIT STAND	1
10	5585079	POWER UNIT AB-1466	1
11	5502180	3 x 20 CYLINDER	2
12	5502196	13mm AIR CYLINDER	2
13	5570130	1/4" HYDR. HOSE 132"	1
14	5570851	1/4" HYDR. HOSE 53"	1
15	5570795	1/4" POLY FLOW	3
16	5530455	3/4x4 3/4 ANCHOR BOLT	20
17	-	DRIVE-UP RAMP	4
18	5715095	RUBBER PAD	4
19	-	INNER ARM CONN. PIN	4
20	-	INNER ARM PIN	2
21	-	M10-1.5x10 SOCKET CS	12
22	-	CYLINDER CONN. PIN	2
23	5550400	1/4 POLYTITE BRANCH T	1
24	5550148	1/4 NPT T 1/4 SAE 2PL	1
25	5550121	1/4 NPT REDUCER 3/8 F	1
26	5530260	5/16-18 x 3/4 HHB	4
27	5535122	5/16-18 NYLOCK NUT	4
28	5535140	1/2-13 JAM NYLOCK NUT	2
29	-	OUTER ARM ROLLER	4
30	-	OUTER ARM ROLLER PIN	4
31	-	HINGE PIN	8
32	-	12mm FLAT WASHER	8
33	-	2 x 24mm COTTER PIN	8
34	-	1/4-20 x1/2 HHB	8
35	-	M6-1.0x8 MACHINE SCR.	4
36	-	ALUMINUM PLATE	2
37	-	24mm SNAP RING	20
38	5550410	1/8 NPT 90*1/4 BR. FIT.	3
39	5520331	UP & DOWN LEGEND PL.	1
40	5525220	PUSH BUTTON ASSY	2
41	5590175	PUSH BUTTON AIR VALVE	1
42	5550405	1/4x1/8 BELL REDUCER	2
43	5550106	3/8 NPT 90* 1/4 SAE	1
44	-	28mm SNAP RING	8
45	-	30mm FLAT WASHER	2
46	-	M30-1.5 LOCK NUT	4
47	-	CYL. GUIDE SUPPORT	4
48	5545535	C-SHIM	25



 PROJECTION APPROVED	TOLERANCES: XX ± 0.02 XXX ± 0.005 FRACTIONS ± 1/16 SURFACE $\sqrt{\text{R}}$ DIA. ϕ ± 0.005 ANGLES ± 1/2° QTY REQ'D	BEND-PAK 1645 LEMONWOOD DRIVE SANTA PAULA, CA 93060	
		SP-7X MAT'L:	
CAGE CODE ØA223	NEXT ASSY	DATE: 02/12/04	REV.
SCALE:			

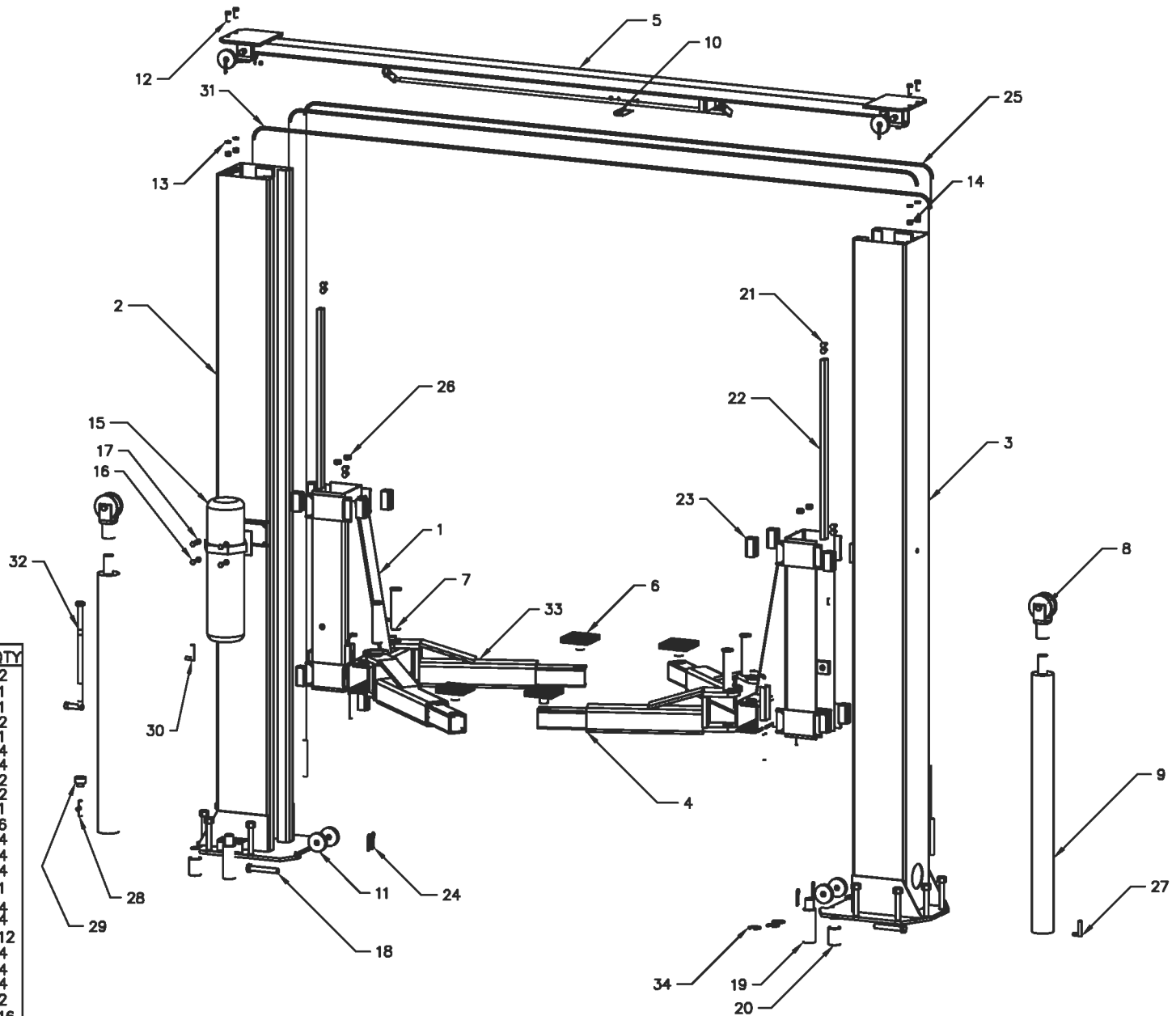
NOTES: UNLESS OTHERWISE SPECIFIED



NO.	ITEM NO.	DESCRIPTION	QTY
1	5210843	LIFT HEAD	2
2	5210697	POST	2
3	5210812	ARM	2
4	5700295	COVER PLATE	1
5	5210700	LIFT PAD	4
6	5505270	LIFT HEAD PIN	4
7	5210701	CHAIN PULLEY	2
8	5502100	2 1/2X37 CYL.	2
9	5210844	EQUALIZER PULLEY PL.	2
10	5575310	3" PULLEY	6
11	5530136	3/8-16x1 1/2 HHB	4
12	5545130	3/8 LOCK WASHER	4
13	5535170	3/8 HEX NUT	4
14	5585082	AB-1468	1
15	5530260	5/16-18x3/4 HHB/PWR. UNIT	4
16	5535122	5/16-18 MYLOCK NUT/PWR.UNIT	4
17	5530450	3/4x5 ANCHOR BOLTS	12
18	5746395	PAD EXT,LONG	4
19	5746390	PAD EXT,SHORT	4
20	5510320	BL-646 CONN.LINKS	4
21	5510440	CHAIN BL646 50-1/4"	2
22	5715200	GUIDE BLOCK	16
23	5505350	HAIR PIN	6
24	5595209	3/8 CABLE 345"	2
25	5535100	5/8-11 HEX NUT	4
26	5550106	3/8 90°x1/4 FITTING	1
27	5550148	1"3/8x 1/4	1
28	5550146	3/8 REDUCER	1
29	5550103	1/4 90°W/O RING x3/8	1
30	5570470	1/4 HOSE 126"LG	1
31	5570430	1/4 HOSE 44"LG	1
32	5210776	SHORT ARM	2

NOTES: UNLESS OTHERWISE SPECIFIED

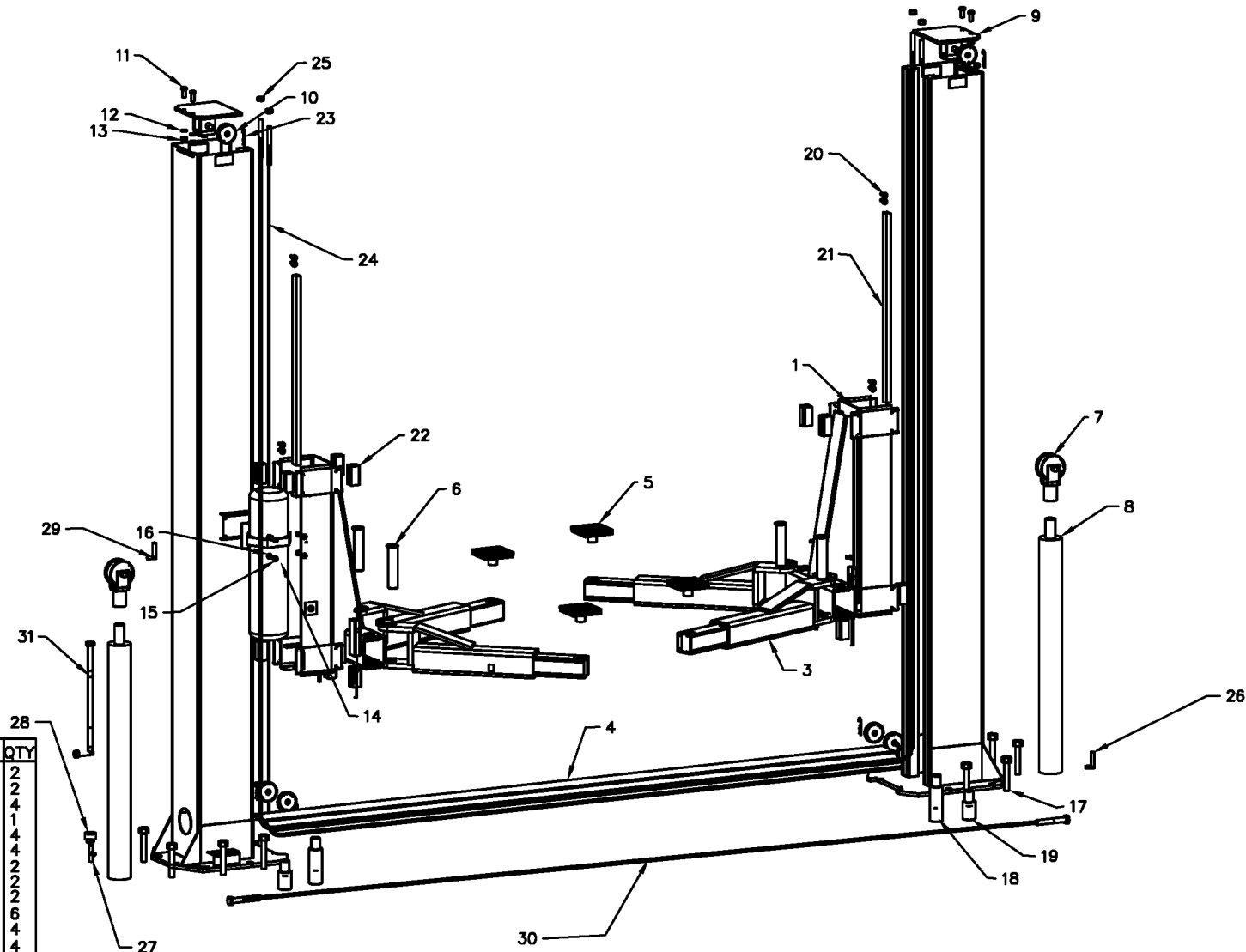
 PROJECTION APPROVED	TOLERANCES: XX ± 0.02 XXX ± 0.005 FRACTIONS ± 1/16 SURFACE R3 DIA. Ø ±.005 ANGLES ± 1/2°	BEND-PAK 1645 LEMONWOOD DRIVE SANTA PAULA, CA 93060	
	QTY REQ'D	XL-9	
CAGE CODE ØA223	NEXT ASSY	DATE: 07/18/03	REV.
		SCALE:	XL-9



NO	ITEM NO.	DESCRIPTION	QTY
1	5210843	LIFT HEAD	2
2	5210992	POWER SIDE POST	1
3	5210993	OFFSIDE POST	1
4	5210812	ARM	2
5	5210690	TOP TROUGH ASSY	1
6	5210700	LIFT PAD	4
7	5505270	LIFT HEAD PIN	4
8	5210701	CHAIN PULLEY	2
9	5502325	2 1/2X43 CYL.	2
10	5365401	MICRO SWITCH COVER	1
11	5575310	3" PULLEY	6
12	5530136	3/8-16x1 1/2 HHB	4
13	5545130	3/8 LOCK WASHER	4
14	5535170	3/8 HEX NUT	4
15	5585082	AB-1468	1
16	5530260	5/16-18x3/4 HHB/PWR UNIT	4
17	5535122	5/16-18 NYLOCK NUT/PWR UNIT	4
18	5530455	3/4x4 3/4 ANCHOR BOLTS	12
19	5746395	PAD EXT. LONG	4
20	5746390	PAD EXT. SHORT	4
21	5510320	BL-646 CONN.LINKS	4
22	5510430	CHAIN BL646 62-1/4"	2
23	5715200	GUIDE BLOCK	16
24	5505350	HAIR PIN	6
25	5595440	3/8 CABLE 409"	2
26	5535100	5/8-11 HEX NUT	4
27	5550106	3/8 90°x1/4 FITTING	1
28	5550148	1/4 3/8x 1/4	1
29	5550146	3/8 REDUCER	1
30	5550103	1/4 90°W/O RING x3/8	1
31	5570755	1/4 HOSE 392"LG	1
32	5570430	1/4 HOSE 44"LG	1
33	5210776	SHORT ARM	2
34	5545535	C-SHIM	25

NOTES: UNLESS OTHERWISE SPECIFIED

 PROJECTION APPROVED	TOLERANCES: XX ± 0.02 XXX ± 0.005 FRACTIONS ± 1/16 SURFACE DIA. Ø ±.005 ANGLES ± 1/2° QTY REQ'D	BEND-PAK 1645 LEMONWOOD DRIVE SANTA PAULA, CA 93060	
		XL-9CT	
		MAT'L:	
		DATE: 04/12/04	REV.
CAGE CODE ØA223	NEXT ASSY	SCALE:	XL-9CT



NO	ITEM NO	DESCRIPTION	QTY
1	5210843	LIFT HEAD	2
2	5210697	POST	2
3	5210812	ARM	4
4	5700295	COVER PLATE	1
5	5210700	LIFT PAD	4
6	5505270	LIFT HEAD PIN	4
7	5210701	CHAIN PULLEY	2
8	5502100	2 1/2X37 CYL.	2
9	5210844	EQUALIZER PULLEY PL.	2
10	5575310	3" PULLEY	6
11	5530136	3/8-16x1 1/2 HHB	4
12	5545130	3/8 LOCK WASHER	4
13	5535170	3/8 HEX NUT	4
14	5585082	AB-1468	1
15	5530260	5/16-18x3/4 HHB/PWR UNIT	4
16	5535122	5/16-18 NYLOCK NUT/PWR UNIT	4
17	5530450	3/4x5 ANCHOR BOLTS	12
18	5746395	PAD EXT, LONG	4
19	5746390	PAD EXT, SHORT	4
20	5510320	BL-646 CONN.LINKS	4
21	5510440	CHAIN BL646 50-1/4"	2
22	5715200	GUIDE BLOCK	16
23	5505350	HAIR PIN	6
24	5595455	3/8 CABLE 358"	2
25	5535100	5/8-11 HEX NUT	4
26	5550106	3/8 90°x1/4 FITTING	1
27	5550148	3/8x1 1/4	1
28	5550146	3/8 REDUCER	1
29	5550103	1/4 90°W/O RING x3/8	1
30	5570490	1/4 HOSE 140"LG	1
31	5570430	1/4 HOSE 44"LG	1

NOTES: UNLESS OTHERWISE SPECIFIED

 PROJECTION APPROVED	TOLERANCES: XX ± 0.02 XXX ± 0.005 FRACTIONS ± 1/16 SURFACE 63 DIA. Ø ± 0.005 ANGLES ± 1/2°	BEND-PAK 1645 LEMONWOOD DRIVE SANTA PAULA, CA 93060	
	QTY REQ'D	XL-9X	
CAGE CODE ØA223	NEXT ASSY	MAT'L:	
		DATE: 07/18/03	REV.
		SCALE:	XL-9X