



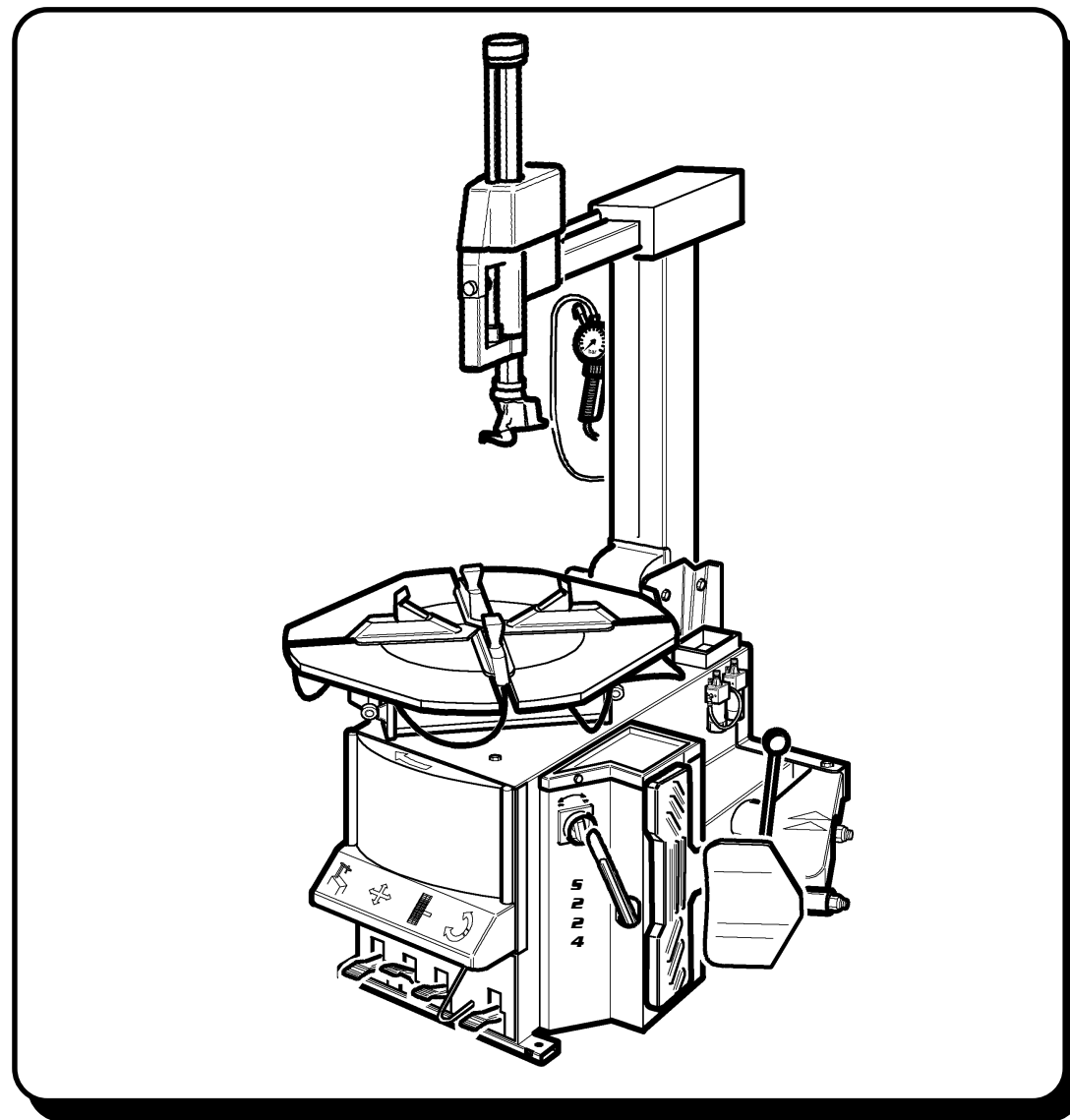
CATALOGO RICAMBI ORIGINALI - ORIGINAL SPARE PARTS

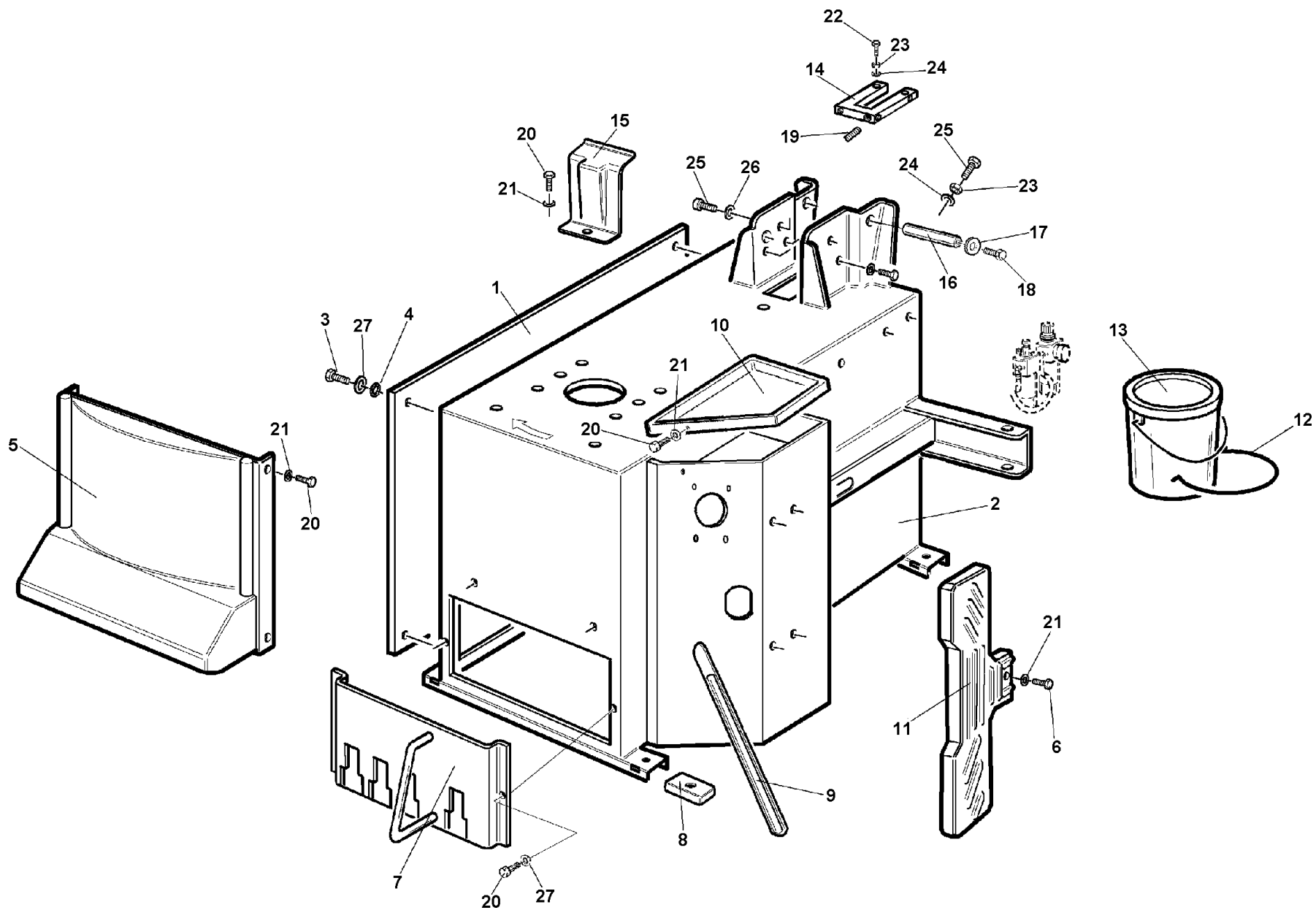
Ed. 11/2002

CATALOGUE PIECES D'ORIGINE - ORIGINALESATZTEILE

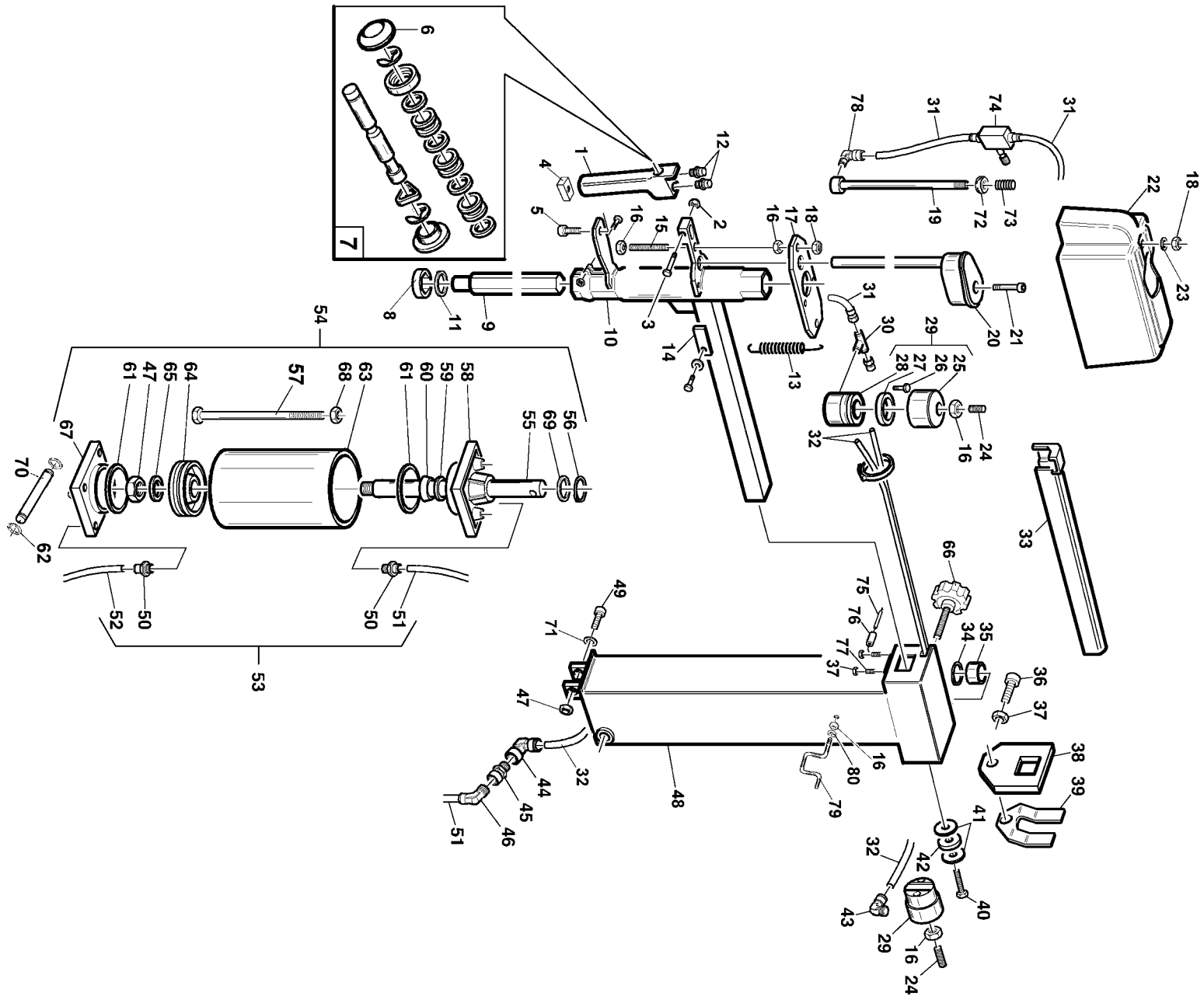
S 224

Cod. 3013181





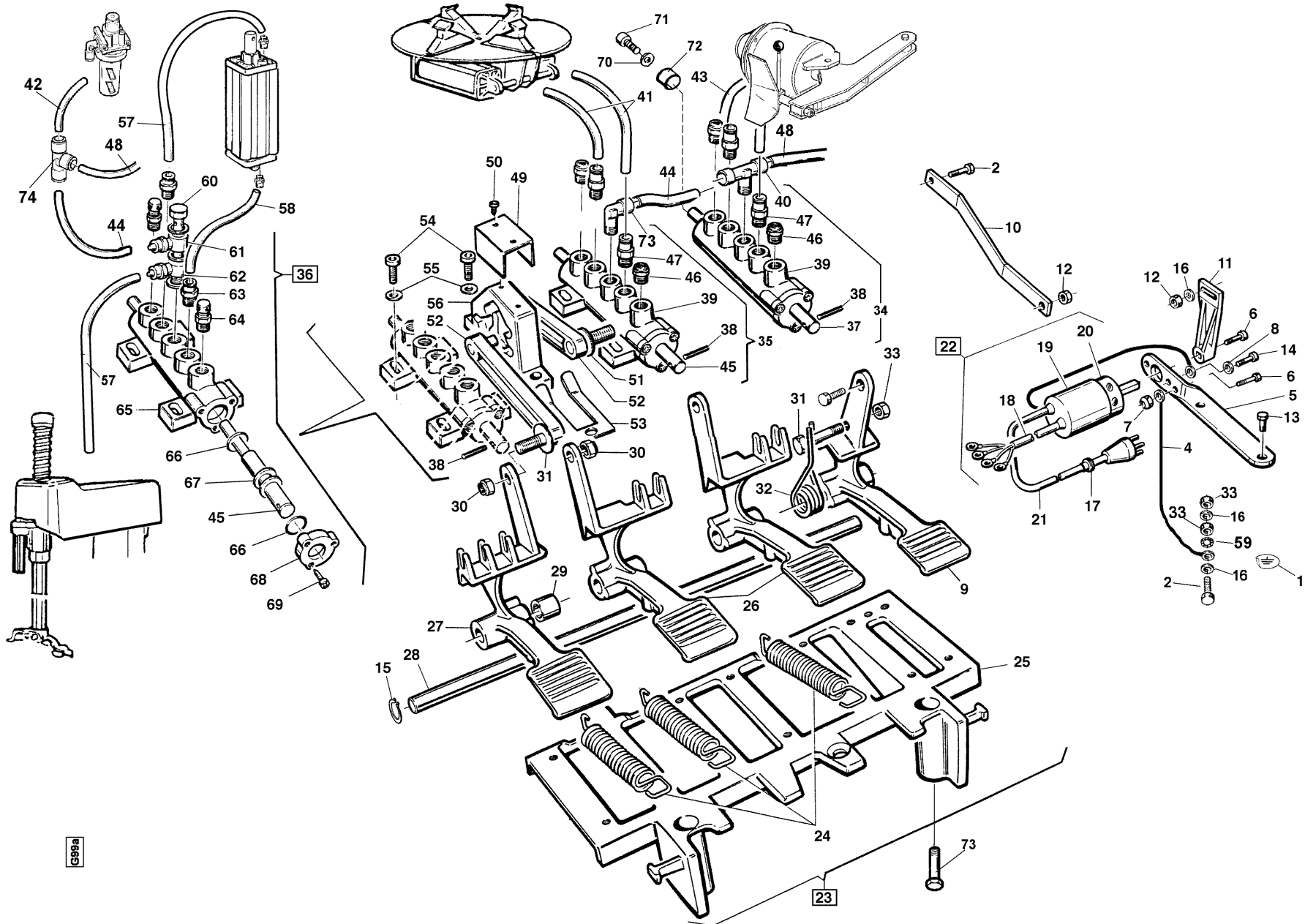
1	2112269	COPERCHIO LATERALE	SIDE COVER	COUVERTURE LATERALE	SEITENABDECKUNG
2	2112302	CARCASSA	SHELL	BATI	RAHMEN
3	4398708	VITE TE 6x16 8.8 5739	SCREW 6x16	VIS 6x16	SCHRAUBE 6x16
4	4399288	ROND. DEN.ES."A" 6,4x11x0,7	TOOTHED WASHER 6,4x11x0,7	RONDELLE DENTEE 6,4x11x0,7	ZAHNSCHEIBE 6,4x11x0,7
5	3011970	PROTEZ.PEDALI N ABS-NERO	PEDAL COVER	PROTECTION PEDALE	PEDALSCHUTZ
6	4399584	VITE TCEI M 6x18 8.8 5931	SCREW 6x18	VIS 6x18	SCHRAUBE 6x18
7	6612453	SUPPORTO PEDALIERA	PEDAL SUPPORT	SUPPORT PEDALES	PEDALTRAEGER
8	3002099	PIEDE IN PLASTICA PER CARCASSA	PLASTIC FOOT	PIED EN PLASTIQUE	PLASTIKFUSS
9	3006970	LEVA ALZATALLONI TIPO C	BEAD LIFTING LEVER	LEVIER DECOLLE-TALONS	WULSTABDRUECKHEBEL
10	3011972	COP.APP.STALLONATORE ABS-NERO	COVER	COUVERTURE	SCHUTZ
11	3002102	APPOGGIO RUOTA INTEGRALE	WHEEL SUPPORT	APPUI ROUE	RADHALTER
12	3000069	MOLLA ANELLO PER SECCHIELLO	SPRING	RESSORT	FEDER
13	4299984	SECCHIELLO GRASSO	GREASE CUP	CUVE DE GRAISSE	SCHMIERBEHAELTER
14	3012312	DISTANZIALE SUPPORTO PALO	SPACER	ENTRETOISE	DISTANZSTUECK
15	3012450	PROTEZ.ANT.PALO VERTICALE ABS	PROTECTION	PROTECTION	SCHUTZ
16	3000206	PERNO FULCRO PALO VERTICALE	TRUNNION	PIVOT	DREHZAPFEN
17	3000495	RONDELLA D. 10x36x5 -BRUNITA	WASHER D.10x36x5	RONDELLE 10x36x5	BEILAGSSCHEIBE D.10x36x5
18	4399966	VITE TE 10x20 8.8 5739	SCREW 10x20	VIS 10x20	SCHRAUBE 10x20
19	4399957	VITE STEI 6x8 P.COPPA 5929	SCREW 6x8	VIS 6x8	SCHRAUBE 6x8
20	4398723	VITE TE 6x12 8.8 5739	SCREW 6x12	VIS 6x12	SCHRAUBE 6x12
21	4398848	RONDELLA 6 (6,6x18x1,5)ZNT6593	WASHER 6 (6,6x18x1,5)	RONDELLE 6 (6,6x18x1,5)	BEILAGSSCHEIBE 6 (6,6x18x1,5)
22	4399880	VITE TE M10x40	SCREW 10x40	VIS 10x40	SCHRAUBE 10x40
23	4399967	DADO M10 6S BASSO ZNT 5589	NUT M10	ECROU M10	MUTTER M10
24	4398662	ROND. GROWER D.10	GROWER WASHER D.10	RONDELLE GROWER D.10	BEILAGSSCHEIBE GROWER D.10
25	4399228	VITE TE M10x25	SCREW 10x25	VIS 10x25	SCHRAUBE 10x25
26	4399378	RONDELLA D.10	WASHER D.10 (10,5x21x2)	RONDELLE D.10 (10,5x21x2)	BEILAGSSCHEIBE 10 (10,5x21x2)
27	4399998	RONDELLA 6 (6,4x12x1,6)ZNT6592	WASHER 6 (6,4x12x1,6)	RONDELLE 6 (6,4x12x1,6)	BEILAGSSCHEIBE 6 (6,4x12x1,6)



1	2012461	GR.COMANDO ROBOT INT.231	COMMANDE ROBOT	ROBOT CONTROL	ROBOT-STEUERUNGSGRUPPE
2	4399895	DADO AUTOBL.M 4 BASSO.6S	ECROU DE VERROUILLAGE M4	SELF-LOCKING NUT M4	SELBSTSICHERNDE MUTTER M4
3	4399896	VITE TE 4x35 8.8	VIS 4x35	SCREW 4x35	SCHRAUBE 4x35
4	3012488	INSERTO X MANIGLIA P.VALV.	TASSEAU	INSERT	EINSATZSTÜCK
5	4399892	VITE TE 6x20 8.8 5739	VIS 6x20	SCREW 6x20	SCHRAUBE 6x20
6	3012721	CAPPUCCIO ALLUM.	CAPUCHON	CAP	KAPPE
7	2008335	KIT RICAMBIO X COMANDO ROBOT	JEU REMPLACEMENT COMMANDE BRAS	ARM CONTROL SPARES	ARMSTEUERUNGERSATZTEILE
8	3002601	AMMORTIZ. TORRETTA ES.41	AMORTISSEUR OUTIL DE MONTAGE	MOUNTING TOOL SHOCK ABSORBER	MONTIERWERKZEUGSTOSSDAEMPFER
9	3011391	BRACCIO OP. ES.41 L=777 S.225	BRAS HEXAGONAL D.41 L=777	HEXAGONAL ARM D.41 L=777	SECHSKANTARM D.41 L=777
10	6612322	PALO QUADRO 8040-NERO	BRAS HORIZONTAL	HORIZONTAL ARM	WAAGERECHTER ARM
11	4397031	RASAMENTO ACCIAIO 35X45X1,5	CALE EN ACIER 35x45x1,5	STEEL SHIM 35x45x1,5	STAHLZWISCHENLAGE 35x45x1,5
12	4197743	RACCORDO 6511 M5-4 DIR.	RACCORD	UNION	ANSCHLUSS
13	3002273	MOLLA A TRAZIONE—ZINC.	RESSORT	SPRING	FEDER
14	3007935	AMMORTIZZ. PALO QUADRO AUT.	AMORTISSEUR	SHOCK ABSORBER	STOSSDAEMPFER
15	3012459	BARRA FILETT. M10 L=120	BARRE TARAUEE M10 L=120	THREADED BAR M10 L=120	GEWINDESTANGE M10 L=120
16	4399967	DADO M10 6S BASSO ZNT 5589	ECROU M10	NUT M10	MUTTER M10
17	3006106	PIASTRA BLOCC.BO 41	PLAQUE BLOCAGE BRAS	ARM LOCKING PLATE	ARMSPANNPLATTE
18	4399971	DADO AUTOBL.M10 BASSO.6S. 7474	ECROU DE VERROUILLAGE M10	SELF-LOCKING NUT M10	SELBSTSICHERNDE MUTTER M10
19	2008063	GR.CANNUCCIA INT. ROBOT 230	TUYAU INTERIEUR	INNER PIPE	INNENROHR
20	2008064	GR.CANNUCCIA EST. ROBOT 230	TUYAU EXTERIEUR	OUTER PIPE	AUSSENROHR
21	4399133	VITE TCEI M 8x40 8.8 5931	VIS 8x40	SCREW 8x40	SCHRAUBE 8x40
22	3012357	CARENAT.ABS PALO Q.224N-NERO	BATI BRAS	ARM FRAME	ARMGESTELL
23	4399378	RONDELLA 10 (10,5x21x2)	RONDELLE D.10 (10,5x21x2)	WASHER D.10 (10,5x21x2)	BEILAGSSCHEIBE 10 (10,5x21x2)
24	4398284	VITE STEI 10x30 P.P. 5923	VIS 10X30	SCREW 10x30	SCHRAUBE 10x30
25	4299524	CAMICIA CILINDRO D.60	CHEMISE VERIN D.60	CYLINDER LINER D.60	ZYLINDERMANTEL D.60
26	4399135	VITE TCEI M 6x35 8.8 5931	VIS 6x35	SCREW 6x35	SCHRAUBE 6x35
27	4299522	ANELLO TENUTA DEP 60-50-5	BAGUE D"ETANCHEITE"	SEALING RING	DICHTUNGSRING
28	4299523	PISTONE D.60	PISTON D.60	PISTON D.60	KOLBEN D.60
29	2099665	CILINDRO BLOCCAGGIO	VERIN DE BLOCAGE	LOCKING CYLINDER	SPERRZYLINDER
30	4197740	RACCORDO 6410 1/8"-4 S.RAPIDO	RACCORD RAPIDE 1/8"	QUICK UNION 1/8"	SCHNELLANSCHLUSS 1/8"
31	3007990	TUBO RILSAN 4x2 L=220	TUYAU RILSAN 4x2 L=220	RILSAN HOSE 4x2 L=220	SCHLAUCH 4x2 L=220
32	3007988	TUBO RILSAN BINATO 4X2,7 L=2200	TUYAU RILSAN 4x2,7 L=2200	RILSAN HOSE 4x2,7 L=2200	SCHLAUCH 4x2,7 L=2200
33	3002602	GUIDA TUBI PALO QUADRO AUT.	GLISSIERE	GUIDE	FUEHRUNG
34	4398686	ANELLO SEEGER E D.16 7435	BAGUE SEEGER D.16	SEEGER RING D.16	SEEGER RING D.16

35	3000736	BOCCOLA 16x25x15,25 CRBNTR	DOUILLE 16x25x15,25	BUSH 16x25x15,25	BUECHSE 16x25x15,25
36	4397527	VITE TBEI 8 x30 10.9 UBK	VIS 8x30	SCREW 8x30	SCHRAUBE 8x30
37	4399976	DADO M 8 6S ZNT 5588	ECROU M8	NUT M8	MUTTER M8
38	2107840	PIASTRA BLOCC.P.Q. S.224-BRUN.	PLAQUE BLOCAGE BRAS	ARM LOCKING PLATE	ARMSPANNPLATTE
39	3007839	MOLLA BLOCCAGGIO PALO Q.	RESSORT BLOCAGE BRAS	ARM LOCKING SPRING	ARMSPERRFEDER
40	4399827	VITE TE 8x20 8.8 5739	VIS 8x20	SCREW 8x20	SCHRAUBE 8X20
41	4399947	RONDELLA 8 (9x32x4) ZNT 6593	RONDELLE 8 (9x32x4)	WASHER 8 (9x32x4)	BEILAGSSCHEIBE 8 (9X32X4)
42	3000181	RONDELLA AMM. MOTORE	RONDELLE	WASHER	BEILAGSSCHEIBE
43	4197741	RACCORDO 6500 1/8"-4 90' A.107	RACCORD 1/8"	UNION 1/8"	ANSCHLUSS 1/8"
44	4197210	RACCORDO 6521 1/8"-4 90' A.109	RACCORD 1/8"	UNION 1/8"	ANSCHLUSS 1/8"
45	4197209	MANICOTTO 2543 1/8" F.	MANCHON 2543 1/8" F	COUPLING 2543 1/8" F	MUFFE 2543 1/8" F
46	4199098	RACCORDO S6500 1/8" 6-4 S.RAPID	RACCORD RAPIDE 1/8" 6-4	QUICK UNION 1/8" 6-4	SCHNELLANSCHLUSS 1/8" 6-4
47	4399865	DADO AUTOBL.M12 BASSO.6S. 7474	ECROU DE VERROUILLAGE M12	SELF-LOCKING NUT M12	SELBSTSICHERNDE MUTTER M12
48	2111981	PALO VERT.RULLI 8031-BLU5015	BRAS VERTICAL	VERTICAL ARM	SENKRECHTER ARM
49	3000599	PERNO X CROC. M12 L=50 TCEI	AXE M12 L=50	PIN M12 L=50	STIFT M12 L=50
50	3000217	TUBO RILSAN 6X4 L=840	TUYAU RILSAN 6x4 L=840	RILSAN HOSE 6x4 L=840	SCHLAUCH 6x4 L=840
51	4198993	RACCORDO POC 1/8"-6 S.R.6510	RACCORD RAPIDE 1/8"	QUICK UNION 1/8"	SCHNELLANSCHLUSS 1/8"
52	3000218	TUBO RILSAN 6X4 L=1200	TUYAU RILSAN 6x4 L=1200	RILSAN HOSE 6x4 L=1200	SCHLAUCH 6x4 L=1200
53	2008082	GR.CIL.RIB.EX BOLLINO ROSSO INT.	VERIN BASCULEMENT	TILTING CYLINDER	KIPPZYLINDER
54	2002831	GR.CIL.RIBALT.EX BOLLINO ROSSO	VERIN BASCULEMENT	TILTING CYLINDER	KIPPZYLINDER
55	3002624	ASTA CILINDRO RIBALT. L=309	TIGE VERIN L=309	CYLINDER ROD L=309	ZYLINDERSTANGE L=309
56	3199599	ANELLO SEEGER I D.30 JV	BAGUE SEEGER D.30	SEEGER RING D.30	SEEGER-RING D.30
57	3008085	VITE SPEC. TE M8x160 ZNT B.	VIS SPECIALE 8x160	SPECIAL SCREW M8x160	SONDERSCHRAUBE 8x160
58	3002294	FLANGIA ANTER. CIL. AUT.	BRIDE	FLANGE	FLANSCH
59	3199601	RASCH.BID. L7 NSW 20-30-6	SEGMENT RACLEUR	SCRAPER	KRATZSCHEIBE
60	4298823	NASTRO DI GUIDA ASTA CILINDRO	GUIDAGE EN NYLON	NYLON GUIDE	NYLONFUEHRUNG
61	4298822	ANELLO OR 842 D.68,26x3,53	JOINT OR D.68,26x3,53	O-RING D.68,26x3,53	O-RING D.68,26x3,53
62	4399864	ANELLO SEEGER E D.12 7435	BAGUE SEEGER D.12	SEEGER RING D.12	SEEGER-RING D.12
63	3008084	CAMICIA CIL.RIBALT. L=135	CHEMISE VERIN L=135	CYLINDER LINER L=135	ZYLINDERMANTEL L=135
64	4198856	PISTONE MONOBLOC. TDUOP D.75	PISTON D.75	PISTON D.75	KOLBEN D.75
65	4398753	RONDELLA 12,5x30x3 ZNT.	RONDELLE D.12,5x30x3	WASHER D.12,5x30x3	BEILAGSSCHEIBE D.12,5x30x3
66	3013281	VOLANTINO M16 V1/70/V-M16X40	VOLANT	HANDWHEEL	HANDRAD
67	3002293	FLANGIA POSTER. CIL. AUT.	BRIDE	FLANGE	FLANSCH

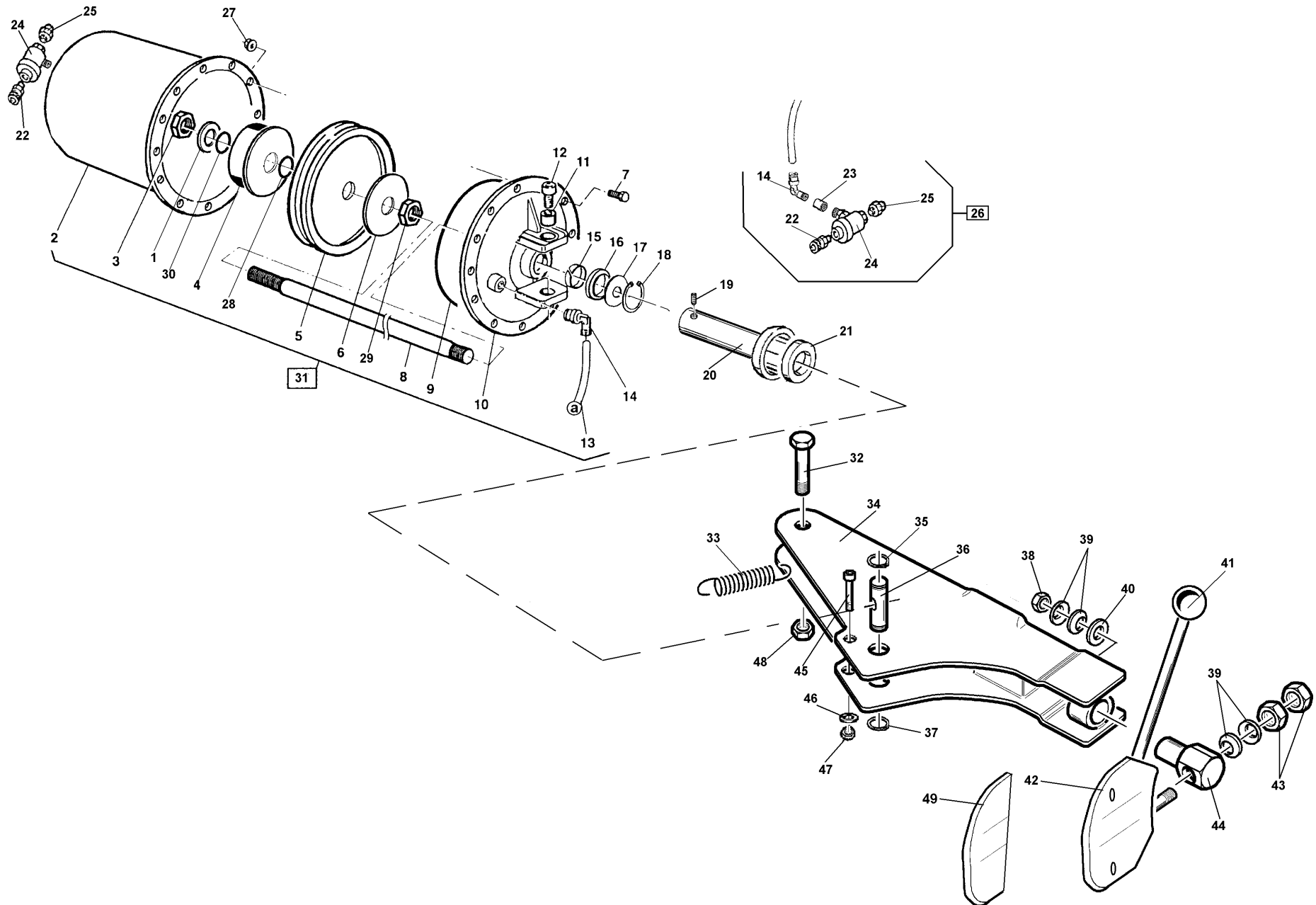
68	4397678	DADO FLANGIATO M8 ZNT DIN 6923	ECROU BORDE" M8	FLANGED NUT M8	FLANSCHMUTTER M8
69	4398146	RASAMENTO D.24x30x1	CALE EN ACIER 24x30x1	STEEL SHIM 24x30x1	STAHLZWISCHENLAGE 24x30x1
70	3000464	PERNO RIBALTAMENTO	AXE	PIN	STIFT
71	4399981	RONDELLA 12 (13x24x2,5)ZNT6592	RONDELLE 12 (13x24x2,5)	WASHER 12 (13x24x2,5)	BEILAGSSCHEIBE 12 (13x24x2,5)
72	4298812	ANELLO TENUTA SUR 8,4x16x6,2	BAGUE D"ETANCHEITE" 8,4x16x6,2	SEALING RING 8,4x16x6,2	DICHTUNGSRING 8,4x16x6,2
73	3002629	MOLLA COMPRES. 13,5x28 F 2,3	RESSORT 13,5x28 F 2,3	SPRING 13,5x28 F 2,3	FEDER 13,5x28 F 2,3
74	4197703	REGOLATORE FLUSSO RFU 4-M5+R.	REGULATEUR DE DEBIT	FLOW REGULATOR	DURCHFLUSSREGLER
75	4398763	SPINA CIL.RETT. 8x50 6364A	AXE CYLINDRIQUE 8x50	PARALLEL PIN 8x50	ZYLINDERSTIFT 8x50
76	3002474	RULLO X TESTATA AUTOM.	GALET	ROLLER	ROLLE
77	4398734	VITE STEI 8x20 P.P. 5923	VIS 8x20	SCREW 8x20	SCHRAUBE 8x20
78	4197718	RACCORDO 6520 M5-4 90' A.108	RACCORD	UNION	ANSCHLUSS
79	3003017	GANCIO PER PISTOLETTA	CROCHET	HOOK	HAKEN
80	4398662	ROND.GROWER D.10 ZNT	RONDELLE GROWER D.10	GROWER WASHER D.10	BEILAGSSCHEIBE GROWER D.10



1		3005604	DECALCO BOLLINO PE 27552 BSO	STICKER	DECALCOMANIE	ABZIEHBILD
2		4399892	VITE TE 6x20 8.8 5739	SCREW M6x20 - 8.8	VIS M6x20 - 8.8	SCHRAUBE M6x20 - 8.8
3		4398848	RONDELLA 6 (6,6x18x1,5)ZNT6593	WASHER 6 (6,6x18x1,5)	RONDELLE 6 (6,6x18x1,5)	SCHEIBE 6 (6,6x18x1,5)
4		2006040	CAVETTO TERRA SMTG AUTO L=340	GROUND CABLE L=340	CABLE DE TERRE	MASSDRAHT L=340
5		3002445	STAFFA SUPPORTO INVERT.-ZNT	SUPPORT	ETRIER DE SUPPORT	WECHSLERSTUETZE
6		4399905	VITE TE 4x12 8.8 5739	SCREW M4x12 8.8	VIS M4x12 - 8.8	SCHRAUBE M4x12 8.8
7		4399996	DADO M 4 6S ALTO ZNT 5587	NUT M4 6S	ECROU M4 6S	MUTTER M4 6S
8		4399045	ROND. DEN.ES.IN. 3,2x12x0,5	TOOTHED WASHER 3,2x12x0,5	RONDELLE 3,2x12x0,5	ZAHNSCHEIBE 3,2x12x0,5
9		3002157	PEDALE COM.INVERT. ALL.	REVERSER CONTROL PEDAL	PEDALE	WECHSLERPEDAL
10		3002447	BIELLA COM.INVERT.SAGOM.-ZNT	CONNECTING ROD	BIELLE	PLEUELSTANGE
11		3000175	LEVA INVERTITORE	REVERSER LEVER	LEVIER D'INVERSEUR	WECHSLERHEBEL
12		4399893	DADO AUTOBL.M 6 BASSO.6S. 7474	SELF-LOCKING NUT M6	ECROU A' BLOCAGE AUTOM. M6	SELBSTSICHERNDE MUTTER M6
13		4398273	VITE AUTOF. TCEI 5,5x19	SELF-TAPPING SCREW 5,5x19	VIS AUTOTARADEUSE TCEI 5,5x19	BLECHSCHRAUBE 5,5x19
14		4399044	VITE TCEI M 3x12 12.9 5931	SCREW 3x12 12,9	VIS 3x12 12,9	SCHRAUBE 3x12 12.9
15		4399864	ANELLO SEEGER E D.12 7435	SEEGER RING D.12	BAGUE SEEGER D.12	SEEGER-RING D.12
16		4399998	RONDELLA 6 (6,4x12x1,6)ZNT6592	WASHER 6 (6,4x12x1,6)	RONDELLE 6 (6,4x12x1,6)	SCHEIBE 6 (6,4x12x1,6)
17		4599986	BLOCCAPASSAC.RETT.D.9 SB7 R/3	CABLE HOLDER D.9	ARRET DE PASSE-CABLE D.9	KABELDURCHGANG/SPERRE D.9
18		2001171	CAVO COLL.MOT.-INV. 3PH L=760	CONNECTING CABLE L=1500	CABLE DE CONNEXION L=1500	VERBINDUNGSKABEL L=1500
18	A	2000525	CAVO COLL.MOT.-INV. 1PH L=750	CONNECTING CABLE	CABLE CONNEX. MOTEUR-INVERSEUR	VERBINDUNGSKABEL
19		3000173	PROTEZIONE INVERTITORE PICCOLA	REVERSER COVER	PROTECTION INVERSEUR	WECHSLERSCHUTZ
19	A	3000174	PROTEZIONE INVERTITORE GRANDE	REVERSER COVER	COUVERCLE INVERSEUR 1 PH	WECHSLERSCHUTZ
20		4598960	INVERTITORE 20 A SERIE 13	REVERSER	INVERSEUR	WECHSLER 20A SERIE 13
20	A	4599915	INVERTIT. 1PH 25A. VS.108-51C	1PH REVERSER 25A.	INVERSEUR 1PH 25A.	1PH WECHSLER 25A.
21		2001512	CAVO ALIMENT. 3PH L=3110	3PH FEEDING CABLE	CABLE ALIMENTATION 3PH	3PH - SPEISEKABEL
21	A	2000526	CAVO ALIMENT. 1PH L=3600	1PH FEEDING CABLE	CABLE D'ALIMENTATION 1 PH	EINPHASIGER SPEISEKABEL
22		2000517	GR.INVERTITORE TRIFASE 20A	3PH REVERSER UNIT	INVERSEUR 3 PH (COMPLET)	3PH-WECHSLER
22	A	2004534	GR.INVERTITORE MONOFASE 25A	REVERSER SINGLE-PHASE 25A	INVERSEUR 1PH 24A	WECHSLER 1PH
23		2006514	PEDALIERA AUTOM. LEGA MOON DE	PEDAL CONTROL UNIT	GR. PEDALES AUTOM.	PEDALEINHEIT
24		3006773	MOLLA RICH.PEDALE D.15x108x2,2	PEDAL RETURN SPRING 14x110	RESSORT RAPPELLE-PEDALE 14x110	PEDALRUECKZUGFEDER 15x108x2,2
25		3002161	BASAMENTO PEDALIERA	PEDAL BOX BASE	BASE DU PEDALIER	PEDALSITZ

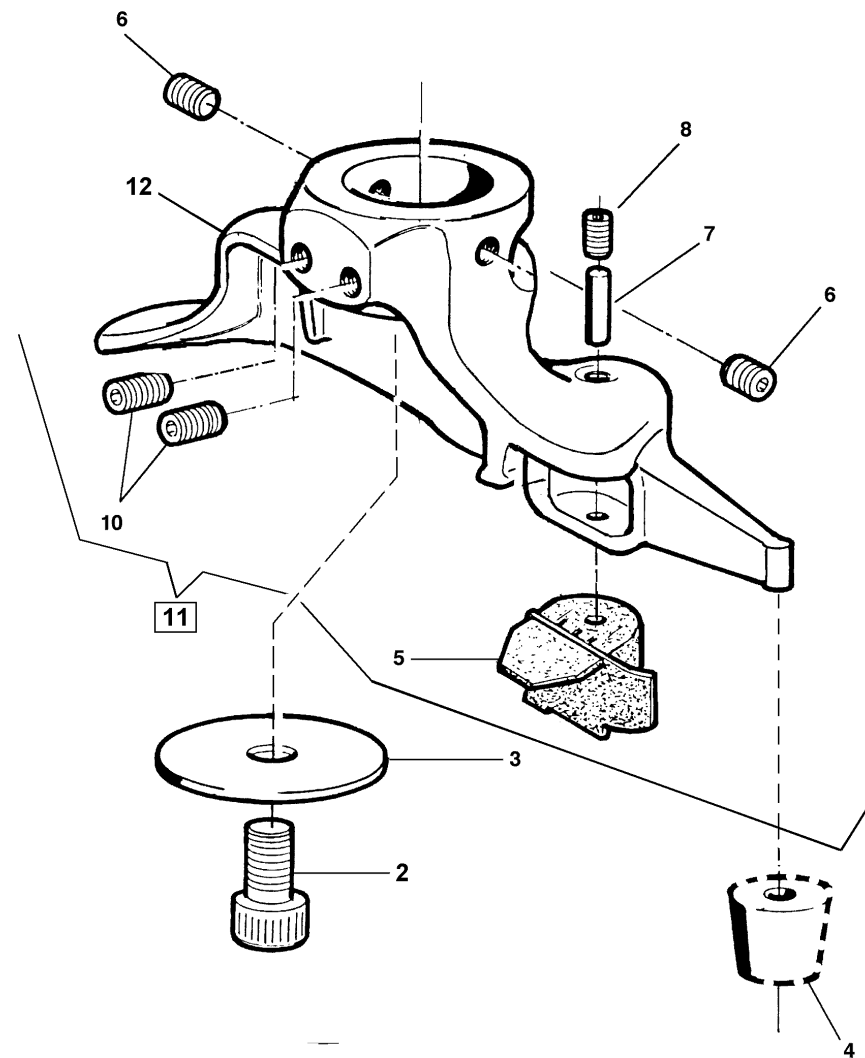
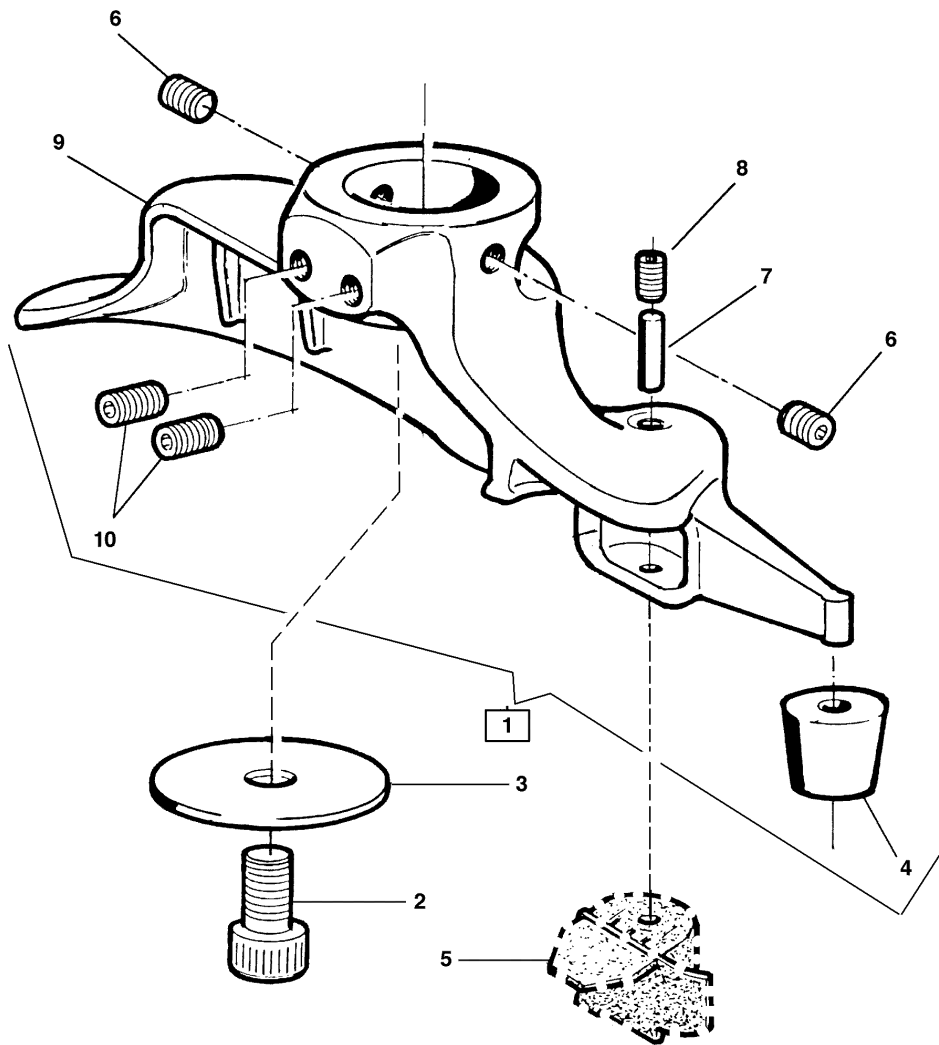
26	3002159	PEDALE COM. AUTOC./STALL. ALL.	PEDAL	PEDALE DE COMMANDE	ZENTRIERTISCHPEDAL
27	3002160	PEDALE COM. RIBALT. ALL.	TILTING CONTROL PEDAL	PEDALE DE COMMANDE	UMKIPPENKONTROLLPEDAL
28	3003095	PERNO ALLINEAMENTO PED. L.337	PEDALS ALINGMENT PIN L.337	GOUJON ALIGNEMENT PEDALES	STIFT L=337
29	3007953	BOCCOLA D.18x12,5x21 PED.INV.	BUSH D.18x12,5x21	DOUILLE D.18X12,5X21	BUECHSE D.18X12,5X21
30	4399900	DADO AUTOBL.M 8 BASSO 6.S 7474	SELF-LOCKING NUT M8	ECROU A' BLOCAGE AUTOMAT.	SELBSTSICHERNDE MUTTER M8
31	4397649	VITE TE 6x50 8.8 PF ZNT 5737	SCREW 6x50 8.8	VIS TE 6x50 8.8	SCHRAUBE 6x50 8.8
32	3000142	MOLLA COMANDO PEDALE	PEDAL CONTROL SPRING	RESSORT COMMANDE PEDALE	FEDER
33	4399889	DADO M 6 6S ZNT 5588	NUT M6	ECROU M6	MUTTER M6
34	2006297	GR.VALVOLA STALL. D.E.	BEAD BREAKING VALVE UNIT	GROUPE SOUPAPE DE COMMANDE	VENTIL
35	2002529	GR.VALVOLA AUTOC.AUT. LINEA	TURNTABLE VALVE	SOUPAPE	VENTIL
36	2002531	GR.VALVOLA RIBALT. LINEA	TILTING CONTROL VALVE	SOUPAPE	KIPPSTEUERVENTIL
37	3007598	ASTA VALVOLA COM.STALL.D.E.	VALVE SHAFT	TIGE SOUPAPE COMM. DECOLLEUR	VENTILSTANGE
38	4398783	SPINA ELASTICA D.4x24 6874	SPRING PIN D.4x24	GOUPILLE D.4x24	FEDERSTIFT D.4x24
39	2002444	GR.VALVOLA LINEA SENZA PERNO	VALVE UNIT WITHOUT PIN	GROUPE SOUPAPE SANS GOUJON	VENTIL
40	4198778	RACCORDO 6410 1/8"-8 S.RAPIDO	UNION 6410 1/8" - 8	RACCORD 6410 1/8" - 8	ANSCHLUSS 6410 1/8" - 8
41	3099335	TUBO RILSAN D. 8X6 L=750	RILSAN HOSE D.8x6 L=750	TUYAU RILSAN D.8x6 L=740	SCHLAUCH D.8x6 L=750
42	3001342	TUBO RILSAN D. 8X6 L=1000	RILSAN HOSE D.8x6 L=1000	TUYAU RILSAN D.8x6 L=1000	SCHLAUCH 8x6 L=1000
43	3000144	TUBO RILSAN D. 8X6 L=910	RILSAN HOSE D.8x6 L=910	TUYAU RILSAN D.8x6 L=910	SCHLAUCH D.8x6 L=910
44	3002446	TUBO RILSAN D. 8X6 L=100	RILSAN HOSE D.8/6 L=100	TUYAU RILSAN D.8/6 L=100	SCHLAUCH D.8x6 L=100
45	3002442	PERNO X VALVOLA GRIFFE/RIBALT.	VALVE PIN	AXE	STIFT
46	4199610	SILENZIATORE 1 SFE 1/8"	SILENCER 1/8"	SILENCIEUX 1/8"	SCHALLDAEMPFER 1/8"
47	4198954	RACCORDO 6510 1/8"-8 S.RAPIDO	QUICK UNION 6510 1/8"-8	RACCORD RAPIDE 6510 1/8"-8	SCHNELLANSCHLUSS 6510 1/8"-8
48	3000145	TUBO RILSAN D. 8X6 L=350	RILSAN HOSE D.8x6 L=350	TUYAU RILSAN D.8x6 L=350	SCHLAUCH D.8x6 L=350
49	4299910	CAVALLOTTO GUIDA BIELLA	CONNECTING ROD GUIDE	GUIDE-BIELLE	PLEUELSTANGENFUEHRUNG
50	4399891	VITE AUTOF.TC+ 2,9x6,5 ZNT	SELF-TAPPING SCREW 2,9x6,5	VIS AUTOTARADEUSE 2,9x6,5	BLECHSCHRAUBE 2,9x6,5
51	4399894	MOLLA TAZZA 8,2X18X1 2093	BELLEVILLE WASHER 8,2x18x1	RESSORT 8,2x18x1	FEDER 8,2x18x1
52	4299912	BIELLA PER CAMME	CONNECTING ROD	BIELLE	PLEUELSTANGE
53	4299911	BALESTRA A FORCELLA	FORKED LEAF SPRING	RESSORT A LAME	GABELFEDER
54	4398274	VITE AUTOF. TCEI 5,5x26	SELF-TAPPING SCREW 5,5x26	VIS AUTOTARADEUSE 5,5x26	BLECHSCHRAUBE 5,5x26
55	4399288	ROND. DEN.ES."A" 6,4x11x0,7	TOOTHED WASHER 6,4x11x0,7	RONDELLE DENTEE 6,4x11x0,7	ZAHNSCHEIBE 6,4x11x0,7

56	4299913	CAMMA DOPPIA	DOUBLE CAM	CAME	DOPPELKAMM
57	3000218	TUBO RILSAN 6X4 L=1200	RILSAN HOSE D.6x4 L=1200	TUYAU RILSAN D.6x4 L=1200	SCHLAUCH 6x4 L=1200
58	3000217	TUBO RILSAN 6X4 L=840	RILSAN HOSE D.6x4 L=840	TUYAU RILSAN D.6x4 L=840	SCHLAUCH 6x4 L=840
59	4399122	ROND. DEN.ES."A" 8,4x15x0,8	TOOTHED WASHER 8,4x15x0,8	RONDELLE D.8	ZAHNSCHEIBE 8,4x15x0,8
60	4199928	RACCORDO 1631-02 1/8"	UNION 1/8"	RACCORD 1/8"	ANSCHLUSS 1/8"
61	4199842	RACCORDO 1610 1/8" 8 - 6	UNION 1/8" -8	RACCORD 1/8" -8	ANSCHLUSS 1/8" -8
62	4199927	RACCORDO 6610 1/8" 6/4 S.RAP.	UNION 1/8" -6	RACCORD 1/8" -6	ANSCHLUSS 1/8" -6
63	4198993	RACCORDO 6510 1/8"-6 S.RAPIDO	QUICK UNION 1/8"-6	RACCORD 6510 1/8"-6 RAPIDE	SCHNELLANSCHLUSS 1/8"-6
64	4199843	REGOL.SCAR.SILENZ.SVE 1/8"	SILENCER OUTLET ADJUSTER 1/8"	REGLAGE SILENCIEUX 1/8"	ABLASSAUSTEILER 1/8"
65	3001583	VALVOLA DISTRIB.-SENZA CHIAVET	DISTRIBUTION VALVE	SOUPAPE DISTRIBUTION	VENTIL
66	4299000	ANELLO OR 9,8x3,85	O-RING 9,8x3,85	JOINT OR 9,8x3,85	O-RING 9,8x3,85
67	3001584	DISTANZIALE X VALVOLA 3001583	SPACER FOR VALVE 3001583	ENTRETOISE	ABSTANDSSTUECK
68	3001585	FLANGIA X VALVOLA 3001583	FLANGE for VALVE 3001583	BRIDE POUR SOUPAPE 3001583	FLANSCH
69	4398999	VITE AUTOF. TCIC 3,5x13 6954	SELF-TAPPING SCREW 3,5x13	VIS AUTOTARADEUSE 3,5x13	BLECHSCHRAUBE 3,5x13
70	4399905	VITE TE 4x12 8.8 5739	SCREW M4x12 8.8	VIS M4x12 - 8.8	SCHRAUBE M4x12 8.8
71	4398848	RONDELLA 6 (6,6x18x1,5)ZNT6593	WASHER 6 (6,6x18x1,5)	RONDELLE 6 (6,6x18x1,5)	SCHEIBE 6 (6,6x18x1,5)
72	4197629	RONDELLA NYLON 1/8" 2665	NYLON WASHER 1/8"	RONDELLE NYLON 1/8" 2665	NYLON-SCHEIBE 1/8"
73	4198990	RACCORDO S6500 1/8"-8 S.RAPIDO	RACCORD RAPIDE 6500 1/8" - 8	QUICK UNION 6500 1/8" - 8	SCHNELLANSCHLUSS 6500 1/8" - 8
74	4198594	RACCORDO 6550 8/6 SUPERAP.	RACCORD RAPIDE	QUICK UNION	SCHNELLANSCHLUSS

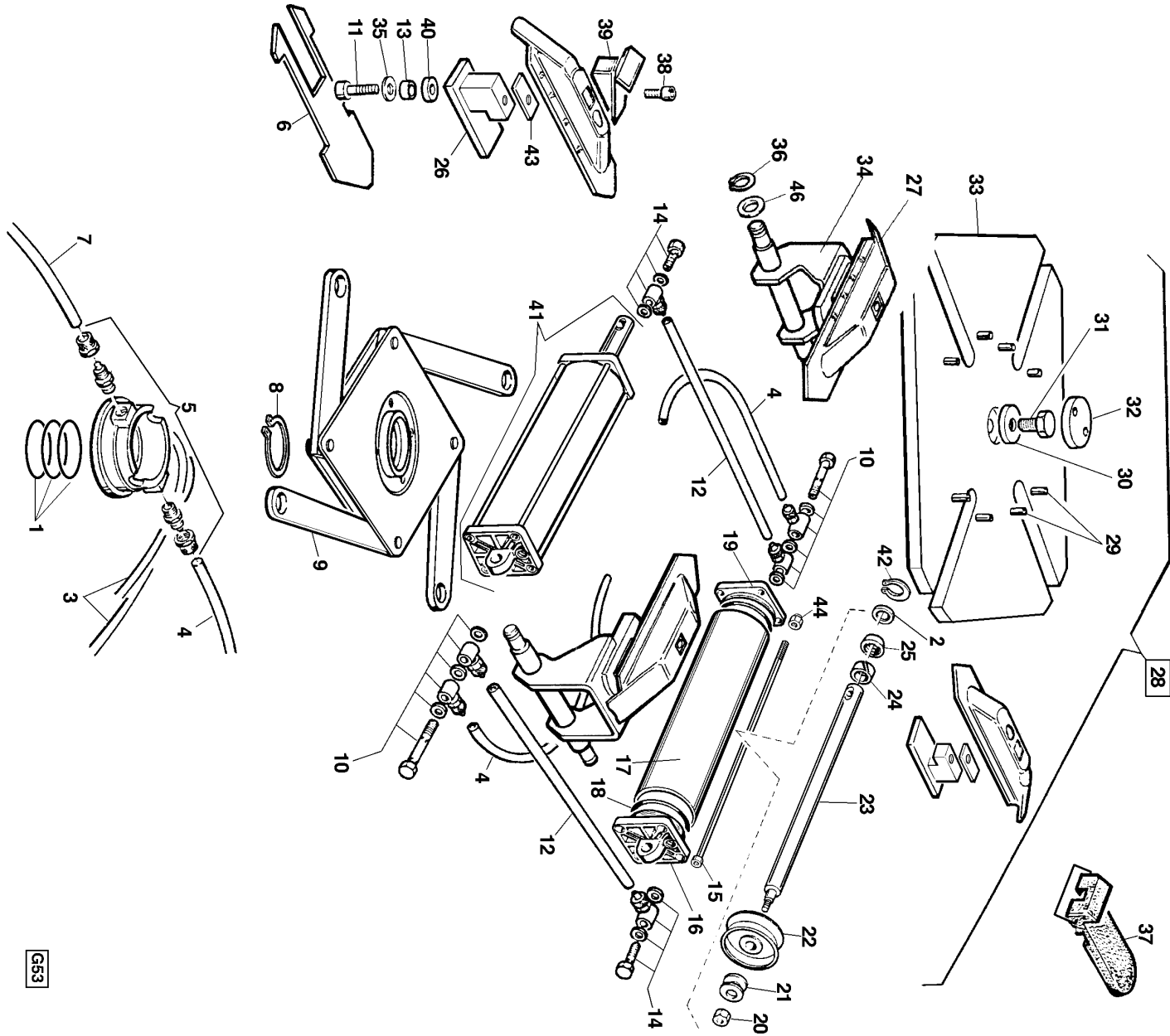


1	4398289	RONDELLA 18 (19x34x3) 6592	WASHER 18 (19x34x3)	RONDELLE 18 (19x34x3)	BEILAGSSCHEIBE 18 (19x34x3)
2	3005053	CAMICIA CILINDRO STALL. D.200	CYLINDER LINER D.200	CHEMISE VERIN D.200	ZYLINDERMANTEL D.200
3	4398725	DADO AUTOBL.MA18 ALTO DIN 982	SELF-LOCKING NUT M18	ECROU DE VERROUILLAGE M18	SELBSTSICHERNDE MUTTER M18
4	3005809	FINECORSA CIL. STALL. D.200	LIMIT STOP	FIN DE COURSE	ENDANSCHLAG
5	4198186	PISTONE MONOBL. TDUOP D.200/24	PISTON D.200	PISTON D.200	KOLBEN D.200
6	3006496	ROND.SP. 18x90 SP.4 D.E.ZNT B.	WASHER 18x90	RONDELLE 18x90	BEILAGSSCHEIBE 18x90
7	4399892	VITE TE 6x20 8.8 5739	SCREW 6x20	VIS 6x20	SCHRAUBE 6x20
8	3007852	ASTA PIST.STALL.DE D.20 L=525	PISTON ROD D.20 L=525	TIGE PISTON D.20 L=525	KOLBENSTANGE D.20 L=525
9	4198145	ANELLO OR 4775 D.196,4X3,53	O-RING D.196,4x3,53	JOINT OR D.196,4x3,53	O-RING D.196,4x3,53
10	2112412	FLANGIA ANT.CIL.STALL.DE-ZNT	FLANGE	BRIDE	FLANSCH
11	3000117	BOCCOLA PER CILINDRO STALL.	BUSH	DOUILLE	BUCHSE
12	4399943	VITE TCEI M12x35 12.9 5931	SCREW 12x35	VIS 12x35	SCHRAUBE 12x35
13	3000889	TUBO RILSAN D. 8X6 L=1100	HOSE 8x6 L=1100	TUYAU 8x6 L=1100	SCHLAUCH 8x6 L=1100
14	4198578	RACCORDO 6520 1/4"-8/6 GIREV.	ROTATING UNION 1/4" 8-6	RACCORD PIVOTANT 1/4" 8-6	DREHANSCHLUSS 1/4" 8-6
15	4298823	NASTRO DI GUIDA ASTA CILINDRO	NYLON GUIDE	GUIDAGE EN NYLON	NYLONFUEHRUNG
16	3199601	RASCH.BID. NSW 20-30-6 XNU01	SCRAPER	SEGMENT RACLEUR	KRATZSCHEIBE
17	4398146	RASAMENTO D.24x30x0,3	STEEL SHIM 24x30x0,3	CALE EN ACIER 24x30x0,3	STAHLZWISCHENLAGE 24x30x0,3
18	3199599	ANELLO SEEGER I D.30 JV	SEEGER RING D.30	BAGUE SEEGER D.30	SEEGER-RING D.30
19	4399121	VITE STEI M6x6 P.P	SCREW 6x6	VIS 6x6	SCHRAUBE 6x6
20	2112754	SUPP.AMMORTIZ.COMPL.	SUPPORT	ETRIER	STUETZE
21	3002681	AMMORTIZZ. D.20x63x12 POLIUR.	SHOCK-ABSORBER D. 20x63x12	AMORTISSEUR D.20x63x12	STOSSDAEMPFER D.20x63x12
22	4198954	RACCORDO 6510 1/8"-8 S.RAPIDO	QUICK UNION 1/8"	RACCORD RAPIDE 1/8"	SCHNELLANSCHLUSS 1/8"
23	4198894	MANICOTTO 2543 1/4" F.	COUPLING 2543 1/4" F	MANCHON 2543 1/4"	MUFFE 2543 1/4" F
24	4199671	VALVOLA SCARICO RAPIDO DA 1/4"	QUICK RELIEF VALVE 1/4"	CLAPET DECHARGE RAPIDE 1/4"	SCHNELLABLASSVENTIL 1/4"
25	4399975	ANELLO SEEGER E D.20 7435	SEEGER RING D.20	BAGUE SEEGER D.20	SEEGER-RING D.20
26	2008204	GR.VALVOLA SCAR.RAPIDO	QUICK RELIEF VALVE	CLAPET DECHARGE RAPIDE	SCHNELLABLASSVENTIL
27	4398007	DADO FLANGIATO M6 ZNT DIN 6923	FLANGED NUT M6	ECROU BORDE" M6	FLANSCHMUTTER M6
28	4297585	ANELLO OR 4061 D.15,47x3,53	O-RING D.15,47x3,53	JOINT TORIQUE D.15,47x3,53	O-RING D.15,47X3,53
29	4398144	DADO M18 MEDIO 5588	NUT M18	ECROU M18	MUTTER M18

30	4297654	ANELLO OR 119 D.15,08x2,62	O-RING D.15.08x2,62	JOINT OR D. 15.08x2.62	O-RING D.15.08x2.62
31	2012409	GR.CILINDRO STALL. DE	BEAD BREAKER CYLINDER	VERIN DECOLLEUR	WULSTABDRUECKZYLINDER
32	4399945	VITE TE 16x100 8.8 P.F. 5737	VIS 16x100	SCREW 16x100	SCHRAUBE 16x100
33	3000114	MOLLA BRACCIO STALLONATORE	RESSORT BRAS DECOLLEUR	ARM SPRING	ARMFEDER
34	6612694	BRACCIO STALL.8040-NERO	BRAS DECOLLE-TALONS	BEAD BREAKING ARM	WULSTABDRUECKAUSLEGER
35	4399979	ANELLO SEEGER E D.30 7435	BAGUE SEEGER D.30	SEEGER RING D.30	SEEGER-RING D.30
36	3007894	PERNO ORIENT. ASTA D.20-BRUN.	PIVOT D.20	PIVOT PIN D.20	DREHZAPFEN D.20
37	4399975	ANELLO SEEGER E D.20 7435	BAGUE SEEGER D.20	SEEGER RING D.20	SEEGER-RING D.20
38	4399949	DADO AUTOBL.M14 BASSO.6S. 7474	ECROU DE VERROUILLAGE M14	SELF-LOCKING NUT M14	SELBSTSICHERNDE MUTTER M14
39	4398899	MOLLA TAZZA 14,3x34x1,5	RESSORT BELLEVILLE 14,3x34x1,5	BELLEVILLE SPRING 14,3x34x1,5	BELLEVILLE FEDER 14,3x34x1,5
40	4398751	RONDELLA 14 (16x42x3) 6593	RONDELLE 14 (16x42x3)	WASHER 14 (16x42x3)	BEILAGSSCHEIBE 14 (16x42x3)
41	4299952	POMOLO D.12	POMMEAU D.12	KNOB D.12	KUGELGRIFF D.12
42	2112271	PALETTA STALL.D.20/30 S222-ZNT	PALE DECOLLE-TALONS	BEAD BREAKING PLATE	WULSTABDRUECKSCHAUFEL
43	4396941	DADO M14 6S BASSO ZNT 5589	ECROU M14	NUT M14	MUTTER M14
44	3010293	PERNO SNODO PAL.ST.L=96-ZNT	PIVOT L=96	TRUNNION L=96	DREHZAPFEN L=96
45	4398878	VITE TCEI M 8x70 8.8 5931	VIS 8x70	SCREW 8x70	SCHRAUBE 8x70
46	4399829	RONDELLA 8 (8,4x16x1,5)ZNT6592	RONDELLE 8 (8,4X16X1,5)	WASHER 8 (8,4x16x1,5)	BEILAGSSCHEIBE 8 (8,4x16x1,5)
47	4399900	DADO AUTOBL.M 8 BASSO 6.S 7474	ECROU DE VERROUILLAGE M8	SELF-LOCKING NUT M8	SELBSTSPERRENDE MUTTER M8
48	4399963	DADO AUTOBL.M16 BASSO.6S. 7474	ECROU DE VERROUILLAGE M16	SELF-LOCKING NUT M16	SELBSTSICHERNDE MUTTER M16
49	3013240	PROTEZ.PALETTA SCATTO NYLON	PROTECTION PALE	PROTECTIVE COVER	SCHAUFELSCHUTZ

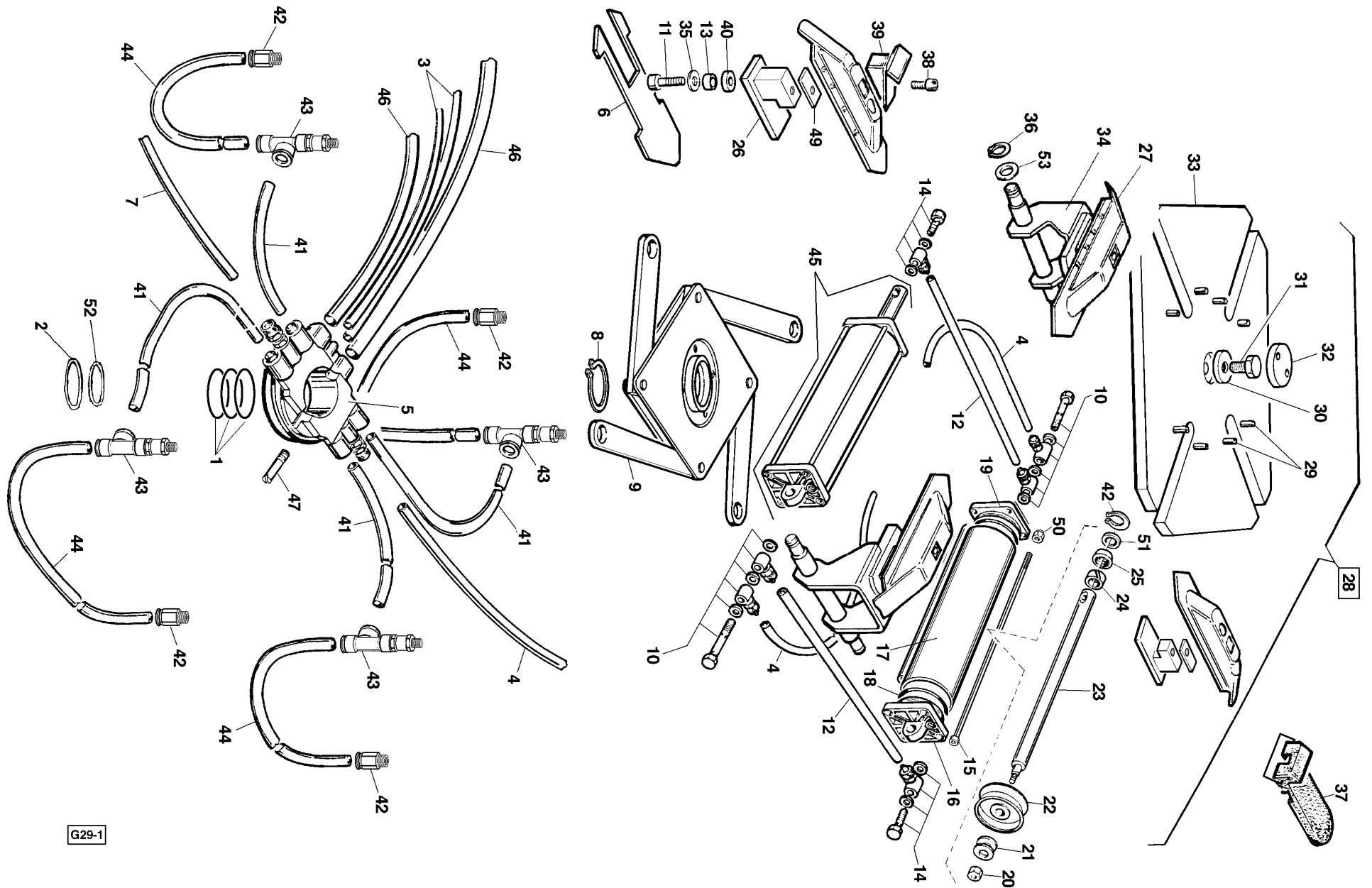


1	2002215	TORRETTA INTEGR. ORIENT. COMPL.	SWINGING MOUNTING HEAD	TETE DE MONTAGE	MONTIERWERKZEUG
2	4399953	VITE TE 10x16 8.8 5739	SCREW M10x16 8.8	VIS M10x16 8.8	SCHRAUBE M10x16 8.8
3	3000495	RONDELLA D. 10x36x5 -BRUNITA	WASHER D. 10x36x5	RONDELLE 10x36x5	SCHEIBE D. 10x36x5
4	3000215	RULLINO PER UNGHIA	PEAK ROLL	GALET	ROLLE
5	3006689	INSERTO PLAST. X TORR. INTEGR.	PLASTIC INSERT	INSERT EN PLASTIQUE	PLASTIKEINSATZSTUECK
6	4397046	VITE STEI 10x10 P. CONICA 5927	SCREW STEI M10X10	VIS STEI M10x10	SCHRAUBE STEI M10x10
7	4398854	SPINA CIL. RETT. 5x20 6364A	SPRING PIN 5x20	GOUPILLE 5x20	ZYLINDERSTIFT 5x20
8	4399121	VITE STEI 6x6 P.P. 5923	SCREW 6x6	VIS 6x6	SCHRAUBE 6X6
9	3002214	UTENSILE INT. ORIENT. -ZNT B.	SWINGING TOOL	OUTIL PIVOTANT	SCHWENKWERKZEUG
10	4398849	VITE STEI 10x16 P.P. 5923	SCREW M10x16	VIS M10x16	SCHRAUBE M10x16
11	2007802	183/96 UT. INT. OR. CORTO COMPL.	SMALLER MOUNT. HEAD COMPL.	TETE MONTAGE COURTE COMPL.	KURZMONTIERFUSS - KOMPLETT
12	3007801	UTENSILE INT. OR. CORTO-ZNT B.	SHORTER MOUNTING HEAD	TETE DE MONTAGE COURTE	MONTIERWERKZEUG



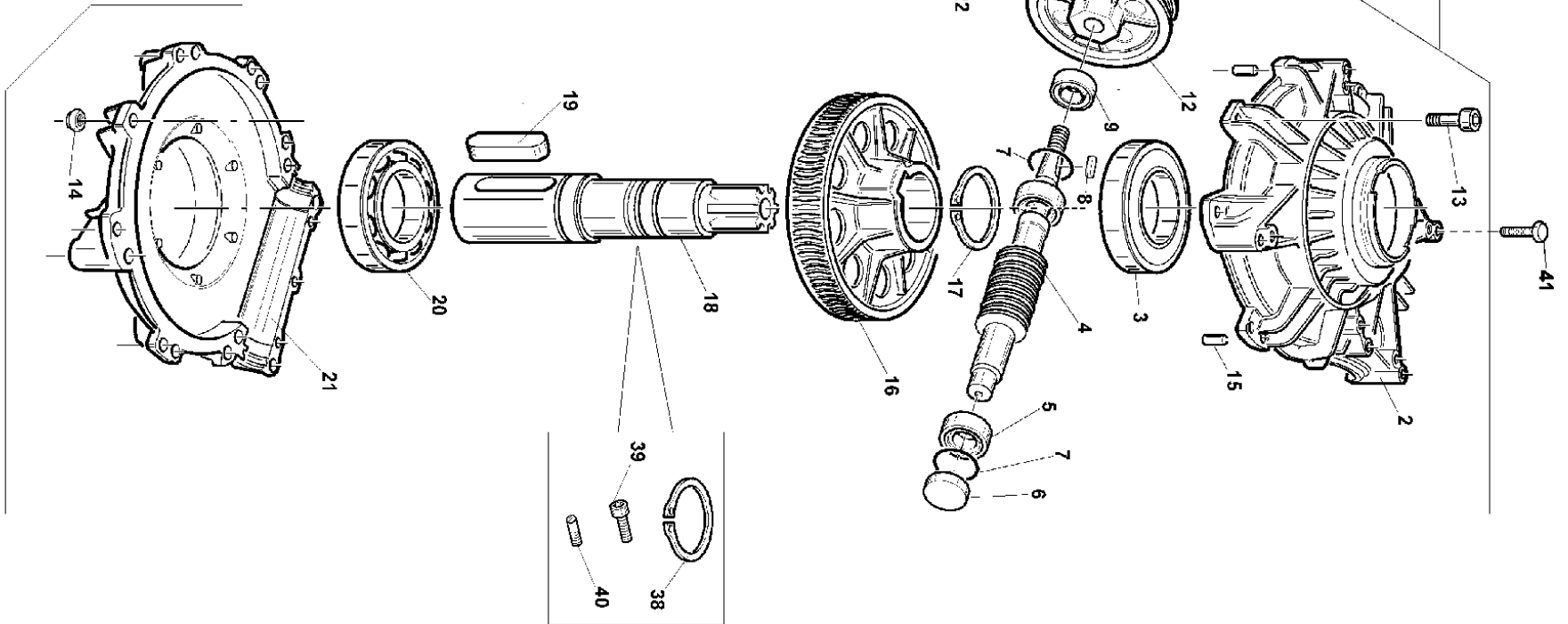
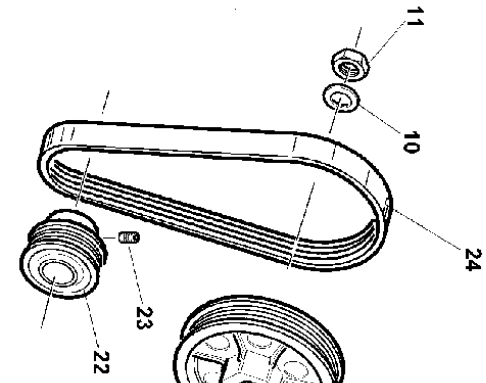
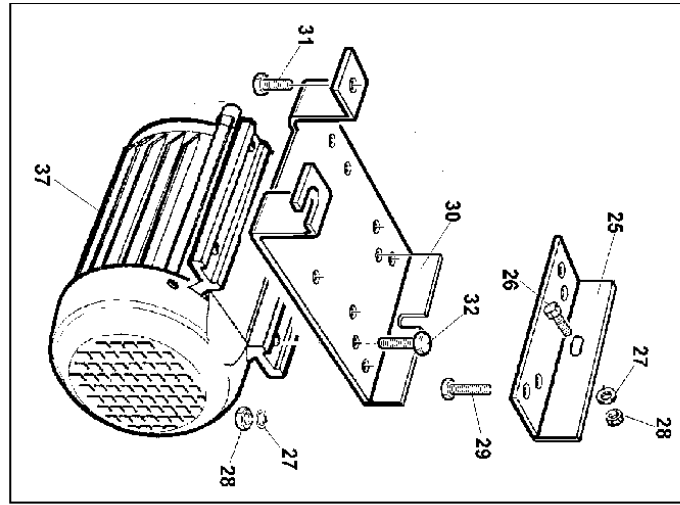
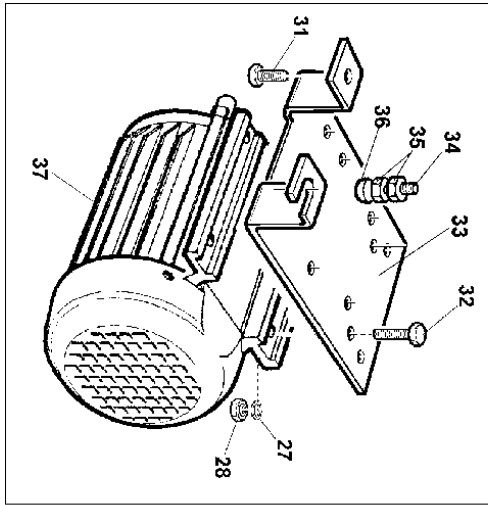
1	3199589	ANELLO OR 3237 D.59,99x2,62	JOINT TORIQUE 59,99x2,62	O-RING 59,99x2,62	O-RING 59,99x2,62
2	4398146	RASAMENTO D.24x30x0,3	CALE D.24x30x0,3	SHIM D.24x30x0,3	AUSGLEICHRING 24x30x0,3
3	3099335	TUBO RILSAN D. 8X6 L=750	TUYAU RILSAN D.8x6 L=740	RILSAN HOSE D.8x6 L=750	SCHLAUCH D.8x6 L=750
4	3002225	SPIRALE RILSAN 8X6 L=320	SPIRALE RILSAN 8x6 L=320	RILSAN SPIRAL HOSE 8x6 L=320	SPIRALSCHLAUCH 8x6 L=320
5	4298955	RACCORDO GIREVOLE TIPO GOLDEN	RACCORD TOURNANT	ROTATING UNION	DREHANSCHLUSS
6	3007817	PIASTRINA AUT.UNIF.19/20"	PLAQUETTE CENTREUR 19/20"	19/20" TURNTABLE PLATE	PLATTE
7	3002226	SPIRALE RILSAN 8X6 L=430	SPIRALE RILSAN 8x6 L=430	RILSAN SPIRAL HOSE 8x6 L=430	SPIRALSCHLAUCH 8x6 L=430
8	4399932	ANELLO SEEGER E D.65 7435	BAGUE SEEGER D.65	SEEGER RING D.65	SEEGER-RING D.65
9	2007414	FLANGIA X AUTO. 18-19-20 UNIF.	BRIDE CENTREUR 18/19/20"	18/19/20" TURNTABLE FLANGE	FLANSCH
10	4198870	RACCORDO DOPPIO 1/8"-8-6	RACCORD DOUBLE 1/8"-8-6	DOUBLE UNION 1/8" 8-6	DOPPELANSCHLUSS 1/8"-8-6
11	4398838	VITE TE 12x1,25x45 8.8 PF 5738	VIS M12x1,25x45	SCREW M12x1,25x45	SCHRAUBE 12x1,25x45 8.8
12	3099338	TUBO RILSAN D. 8X6 L=170	TUYAU RILSAN D.8x6 L=170	RILSAN HOSE D.8x6 L=170	SCHLAUCH 8x6 L=170
13	3006880	DISTANZIALE BIELLA UNIF.	ENTRETOISE BIELLE	CONNECTING ROD SPACER	ABSTANDSSTUECK
14	4198898	RACCORDO SEMPLICE 1/8"-8-6	RACCORD 1/8" 8-6	UNION 1/8" 8-6	ANSCHLUSS 1/8" -8-6
15	3007941	VITE SPEC. TE M8x369 ZNT B.	VIS TE M8x369	SPECIAL SCREW 8x369	SONDERSCHRAUBE M8x369
16	3002293	FLANGIA POSTER. CIL. AUT.	BRIDE ARRIERE	BACK FLANGE	FLANSCH
17	3008042	CAMICIA CIL. 20" L=345	CHEMISE CYLINDRE 20" L=345	20" CYLINDER LINER L=345	ZYLINDERMANTEL 20" L=345
18	4298822	ANELLO OR 842 D.68,26x3,53	BAGUE OR D.68,26x3,53	O-RING D.68,26x3,53	O-RING D.68,26x3,53
19	3002294	FLANGIA ANTER. CIL. AUT.	BRIDE ANT. VERIN	FRONT FLANGE	VORDERFLANSCH
20	4399865	DADO AUTOBL.M12 BASSO.6S. 7474	ECROU A' BLOCAGE AUTOMAT. M12	SELF-LOCKING NUT M12	SELBSTSICHERNDE MUTTER M12
21	4398753	RONDELLA 12,5x30x3 ZNT.	RONDELLE D.12,5x30x3	WASHER D.12,5x30x3	SCHEIBE D.12,5x30x3
22	4198856	PISTONE MONOBLOCCO TDUOP D.75	PISTON D.75	PISTON D.75	KOLBEN D.75
23	3002901	ASTA CILINDRO AUT.20" L=398	TIGE CYLINDRE C.20" L=398	CYLINDER SHAFT L=398	ZYLINDERSTANGE L=398
24	4298823	NASTRO DI GUIDA ASTA CILINDRO	GUIDAGE EN NYLON	GUIDE IN NYLON	NYLON-RING f. ZYLINDERSTANGE
25	3199601	RASCH.BID. NSW 20-30-6 XNU01	GARNITURE BIDIRECTIONNELLE	OIL SCRAPER	OELABSTREIFER
26	2112878	GUIDA SCORR. 22" UNIF. -BRUNIT.	GUIDAGE COULISSANT 22"	22" SLIDE GUIDE	22" GLEITFUEHRUNG
27	3006255	SCORREVOLE UNIF. -ZNT B.	COULANT	SLIDE	SCHLITTEN
28	2012884	AUTOCENTRANTE 12" - 22"	CENTREUR 12" - 22"	12"-22" TURNTABLE	12" - 22" SELBSTZENTRIERTISCH
29	4398727	SPINA ELASTICA D.5x18 6873	GOUPILLE ELASTIQUE D.5x18	RETAINING PIN D.5x18	FEDERSTIFT D.5x18

30	3009778	RONDELLA SPEC. D.16x47x13-ZNT	RONDELLE	WASHER D.16x47x13	SCHEIBE D.16x47x13
31	4399926	VITE TE 16x1,5x40 8.8 5740	VIS M16x1,5x40 8.8	SCREW M16x1,5x40 8.8	SCHRAUBE M16x1,5x40 8.8
32	3000062	PROTEZIONE CENTRALE PIATTO	PROTECTION PLATEAU	TURNTABLE CAP	SCHUTZ
33	2112865	PIATTO AUTOC.20" R.12	PLATEAU CENTREUR 20" R.12 CARRE'	20" SQUARE R.12 TURNTABLE	20" SELBSTZENTRIERTISCH R.12
34	2112879	GUIDA SCOR.PERNO UNIF 22"	GUIDAGE COULISSANTE AXE 22"	22" PIN SLIDE GUIDE	22" GLEITFUEHRUNG
35	4399981	RONDELLA 12 (13x24x2,5)ZNT6592	RONDELLE 12 (13x24x2,5)	WASHER 12 (13x24x2,5)	SCHEIBE 12 (13x24x2,5)
36	4399864	ANELLO SEEGER E D.12 7435	BAGUE SEEGER D.12	SEEGER RING D.12	SEEGER-RING D.12
37	2006393	PROTEZ.INTEGRALE GRIFFA COMPL.	PROTECTION MORS COMPL	CLAMP COVER	KLAUENSCHUTZ
38	4398037	VITE TCEI 10x1,25x25 12.9 TF	VIS TCEI 10x1,25x25 10.9 T.F.	SCREW 10x1,25x25 12.9	SCHRAUBE 10x1,25x25 12.9
39	3002297	GRIFFA BLOCCAGGIO MAGGIORATA	MORS DE BLOCAGE	OVERSIZE CLAMP	SPANNKLAUE
40	3006879	DISTANZIALE AUTOC. UNIF.	ENTRETOISE CENTREUR	TURNTABLE SPACER	ABSTANDSSTUECK
41	2008060	GR.CILINDRO AUT.20" INT.	CYLINDRE AUTOCENTREUR 20"	20" TURNTABLE CYLINDER	20"ZENTRIERTISCH-ZYLINDER
42	3199599	ANELLO SEEGER I D.30 JV	BAGUE SEEGER D.30	SEEGER RING D.30	SEEGER-RING D.30
43	3006876	SPESSORE SCORR.UNIF. 1,5-BRUN.	CALE 1,5	SLIDE SHIM 1,5	DISTANZSTUECK 1,5
44	4397678	DADO FLANGIATO M8 ZNT DIN 6923	ECROU	FLANGE NUT M8	KRONENMUTTER M8
45	4398146	RASAMENTO D.22x30x0,2	CALE D.22x30x0,2	SHIM ADJUSTMENT D.22x30x0,2	DISTANZSTUECK D.22x30x0,2
46	4398637	RONDELLA 12x21x2,5	RONDELLE D.12x21x2,5	WASHER D.12x21x2,5	BEILAGSSCHEIBE D.12x21x2,5



1	4298802	ANELLO OR 3250 D.63,17x2,62	BAGUE OR 3250 63,17x2,62	O-RING 63,17x2,62	O-RING 3250 63,17x2,62
2	3008646	DISTANZ. X OR GT (D.55 x 1,5)	ENTRETOISE X OR GT (D.55X1,5)	O-RING SPACER (D.55x1,5)	ABSTANDSTUECK
3	3099335	TUBO RILSAN D. 8X6 L=750	TUYAU RILSAN D.8x6 L=740	RILSAN HOSE D.8x6 L=750	SCHLAUCH D.8x6 L=750
4	3002225	SPIRALE RILSAN 8X6 L=320	SPIRALE RILSAN 8x6 L=320	RILSAN SPIRAL HOSE 8x6 L=320	SPIRALSCHLAUCH 8x6 L=320
5	4298992	RACC. GIREVOLE TUBELESS GOLDEN	RACCORD TOURNANT	ROTATING UNION	DREHANSCHLUSS
6	3007817	PIASTRINA AUT.UNIF.19/20"	PLAQUETTE CENTREUR 19/20"	19/20" TURNTABLE PLATE	PLATTE
7	3002226	SPIRALE RILSAN 8X6 L=430	SPIRALE RILSAN 8x6 L=430	RILSAN SPIRAL HOSE 8x6 L=430	SPIRALSCHLAUCH 8x6 L=430
8	4399932	ANELLO SEEGER E D.65 7435	BAGUE SEEGER D.65	SEEGER RING D.65	SEEGER-RING D.65
9	2007414	FLANGIA X AUTOC.18-19-20 UNIF.	BRIDE CENTREUR 18/19/20"	18/19/20" TURNTABLE FLANGE	FLANSCH
10	4198870	RACCORDO DOPPIO 1/8"-8-6	RACCORD DOUBLE 1/8"-8-6	DOUBLE UNION 1/8" 8-6	DOPPELANSCHLUSS 1/8"-8-6
11	4398838	VITE TE 12x1,25x45 8.8 PF 5738	VIS M12x1,25x45	SCREW M12x1,25x45	SCHRAUBE 12x1,25x45 8.8
12	3099338	TUBO RILSAN D. 8X6 L=170	TUYAU RILSAN D.8x6 L=170	RILSAN HOSE D.8x6 L=170	SCHLAUCH 8x6 L=170
13	3006880	DISTANZIALE BIELLA UNIF.	ENTRETOISE BIELLE	CONNECTING ROD SPACER	ABSTANDSSTUECK
14	4198898	RACCORDO SEMPLICE 1/8"-8-6	RACCORD 1/8" 8-6	UNION 1/8" 8-6	ANSCHLUSS 1/8" -8-6
15	3007941	VITE SPEC. TE M8x369 ZNT B.	VIS TE M8x369	SPECIAL SCREW 8x369	SONDERSCHRAUBE M8x369
16	3002293	FLANGIA POSTER. CIL. AUT.	BRIDE ARRIERE	BACK FLANGE	FLANSCH
17	3008042	CAMICIA CIL. 20" L=345	CHEMISE CYLINDRE 20" L=345	20" CYLINDER LINER L=345	ZYLINDERMANTEL 20" L=345
18	4298822	ANELLO OR 842 D.68,26x3,53	BAGUE OR D.68,26x3,53	O-RING D.68,26x3,53	O-RING D.68,26x3,53
19	3002294	FLANGIA ANTER. CIL. AUT.	BRIDE ANT. VERIN	FRONT FLANGE	VORDERFLANSCH
20	4399865	DADO AUTOBL.M12 BASSO.6S. 7474	ECROU A' BLOCAGE AUTOMAT. M12	SELF-LOCKING NUT M12	SELBSTSICHERNDE MUTTER M12
21	4398753	RONDELLA 12,5x30x3 ZNT.	RONDELLE D.12,5x30x3	WASHER D.12,5x30x3	SCHEIBE D.12,5x30x3
22	4198856	PISTONE MONOBLOCCO TDUOP D.75	PISTON D.75	PISTON D.75	KOLBEN D.75
23	3002901	ASTA CILINDRO AUT.20" L=398	TIGE CYLINDRE C.20" L=398	CYLINDER SHAFT L=398	ZYLINDERSTANGE L=398
24	4298823	NASTRO DI GUIDA ASTA CILINDRO	GUIDAGE EN NYLON	GUIDE IN NYLON	NYLON-RING f. ZYLINDERSTANGE
25	3199601	RASCH.BID. NSW 20-30-6 XNU01	GARNITURE BIDIRECTIONNELLE	OIL SCRAPER	OELABSTREIFER
26	2112878	GUIDA SCORR. 22" UNIF. -BRUNIT.	GUIDAGE COULISSANT 22"	22" SLIDE GUIDE	22" GLEITFUEHRUNG
27	2107387	SCORREVOLE GT UNIF.-ZNT B.	COULANT GT	GT SLIDE	GT SCHLITTEN
28	2012885	AUTOCENTRANTE 12"-22" GT	CENTREUR 12"-22" GT	12"-22" GT TURNTABLE	12"-22" GT SELBSTZENTRIERTISCH
29	4398727	SPINA ELASTICA D.5x18 6873	GOUPILLE ELASTIQUE D.5x18	RETAINING PIN D.5x18	FEDERSTIFT D.5x18

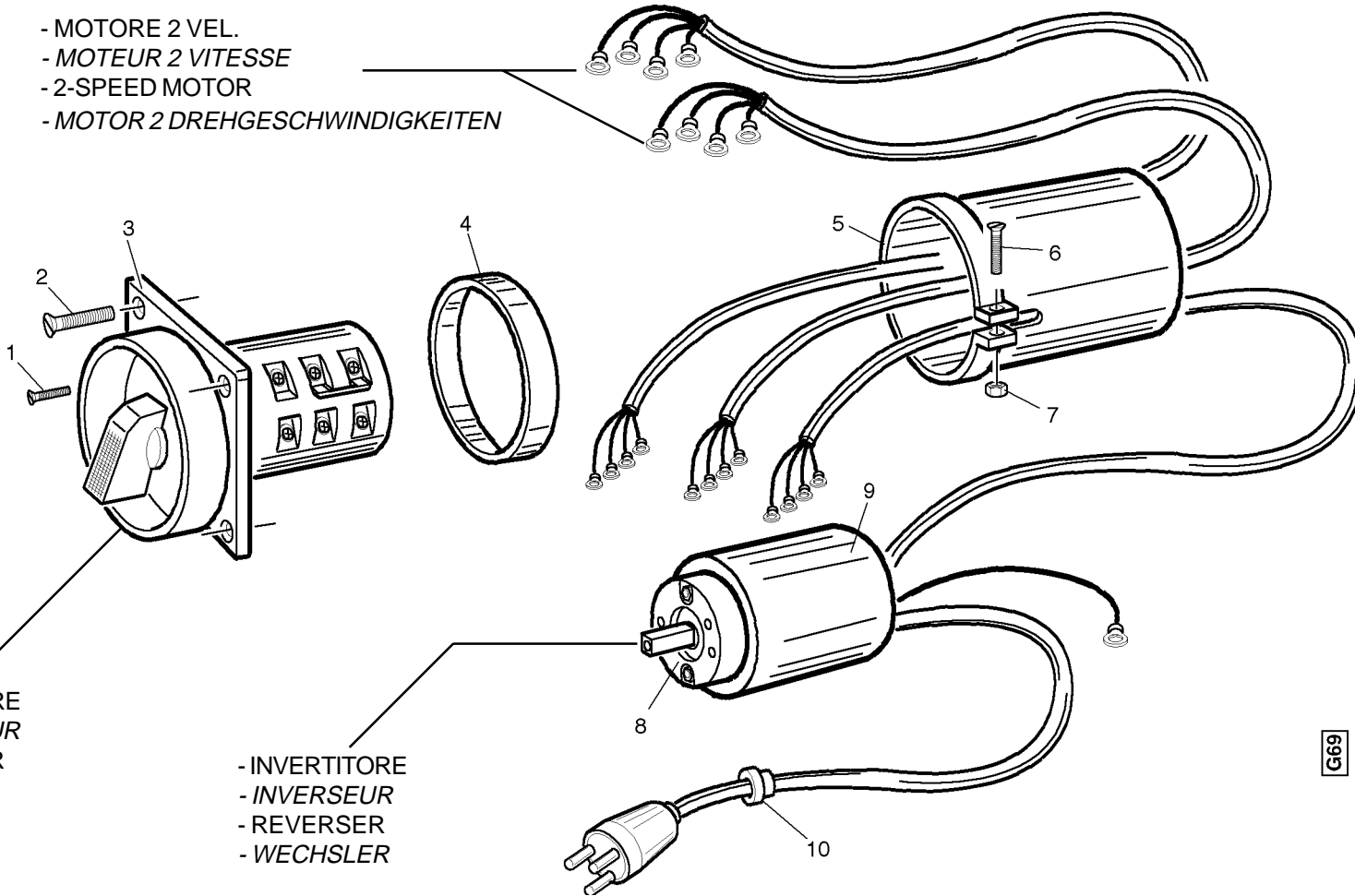
30	3009778	RONDELLA SPEC. D.16x47x13-ZNT	RONDELLE	WASHER D.16x47x13	SCHEIBE D.16x47x13
31	4399926	VITE TE 16x1,5x40 8.8 5740	VIS M16x1,5x40 8.8	SCREW M16x1,5x40 8.8	SCHRAUBE M16x1,5x40 8.8
32	3000062	PROTEZIONE CENTRALE PIATTO	PROTECTION PLATEAU	TURNTABLE CAP	SCHUTZ
33	2107384	PIATTO AUTOC. 20" QUADRO -R.12	PLATEAU CENTREUR 20" CARRE' R.12	20" SQUARE TURNTABLE R.12	20" SELBSTZENTRIERTISCH R.12
34	2112879	GUIDA SCOR.PERNO 22"	GUIDAGE COULISSANTE AXE 22"	22" PIN SLIDE GUIDE	22" GLEITFUEHRUNG
35	4399981	RONDELLA 12 (13x24x2,5)ZNT6592	RONDELLE 12 (13x24x2,5)	WASHER 12 (13x24x2,5)	SCHEIBE 12 (13x24x2,5)
36	4399864	ANELLO SEEGER E D.12 7435	BAGUE SEEGER D.12	SEEGER RING D.12	SEEGER-RING D.12
37	2006393	PROTEZ.INTEGRALE GRIFFA COMPL.	PROTECTION MORS COMPL	CLAMP COVER	KLAUENSCHUTZ
38	4398037	VITE TCEI 10x1,25x25 12.9 TF	VIS TCEI 10x1,25x25 10.9 T.F.	SCREW 10x1,25x25 12.9	SCHRAUBE 10x1,25x25 12.9
39	3002297	GRIFFA BLOCCAGGIO MAGGIORATA	MORS DE BLOCAGE	OVERSIZE CLAMP	SPANNKLAUE
40	3006879	DISTANZIALE AUTOC. UNIF.	ENTRETOISE CENTREUR	TURNTABLE SPACER	ABSTANDSSTUECK
41	3006477	TUBO POLIUR.10X6,5 L=335	TUYAU 10x6,5 L=335	HOSE 10x6,5 L=335	SCHLAUCH 10x6,5 L=335
42	4198035	RACCORDO DRITTO 1/4"-10 A.112	RACCORD PC10-02	BRASS UNION PC10-02	ANSCHLUSS 1/4"- 10
43	4197207	RACCORDO T 1/8"-10/8	RACCORD ENT 1/8" 10-8	UNION TEE 1/8" 10-8	T-VERSCHRAUBUNG 1/8" 10-8
44	3006478	TUBO POLIUR.10X6,5 L=310	TUYAU 10x6,5 L=310	POLYURETHAN HOSE 10x6,5 L=310	SCHLAUCH 10x6,5 L=310
45	2008060	GR.CILINDRO AUT.20" INT.	CYLINDRE AUTOCENTREUR 20"	20" TURNTABLE CYLINDER	20"ZENTRIERTISCH-ZYLINDER
46	3002109	TUBO RILSAN 14X11 L=1070	TUYAU RILSAN 14x12 L=1070	RILSAN HOSE D.14x11 L=1070	SCHLAUCH D.14x11 L=1070
47	3001996	VITE X RACC.GIREV.TUBL.	VIS pour RACCORD PIVOTANT	SCREW	SCHRAUBE
48	3199599	ANELLO SEEGER I D.30 JV	BAGUE SEEGER D.30	SEEGER RING D.30	SEEGER-RING D.30
49	3006876	SPESSORE SCORR.UNIF. 1,5-BRUN.	CALE 1,5	SLIDE SHIM 1,5	DISTANZSTUECK 1,5
50	4397678	DADO FLANGIATO M8 ZNT DIN 6923	ECROU	FLANGE NUT M8	KRONENMUTTER M8
51	4398146	RASAMENTO D.24x30x0,3	CALE D.24x30x0,3	SHIM D.24x30x0,3	AUSGLEICHRING 24x30x0,3
52	4297520	ANELLO OR 153 D.49,21X3,53	BAGUE OR 153 D.49,21X3,53	O-RING 153 D.49,21x3,53	O-RING 153 D,49,21X3,53
53	4398637	RONDELLA 12x21x2,5	RONDELLE D.12x21x2,5	WASHER D.12x21x2,5	BEILAGSSCHEIBE D.12x21x2,5



Ref	Code	Descrizione	Description	Description	Beschreibung
1	2010900	GR. RIDUTT. SMTG AUTO COMPL.	REDUCTION GEAR UNIT	GROUPE REDUCTEUR	REDUKTORAGGREGAT
2	3010872	SCATOLA SUPER. RIDUTT.	REDUCTION GEAR BOX	BOITE REDUCTEUR	REDUKTORKASTEN
3	4296945	CUSCINETTO 6212 2RS 60x110x22	BEARING 60X110X22	COUSSINET 60X110X22	LAGER 60X110X22
4	3010883	VITE SENZA FINE RID.SMTG AUTO	WORM	VIS SANS FIN	SCHNECKE
5	4296944	CUSCINETTO RULLI CONICI 30204	BEARING	COUSSINET	LAGER
6	3010886	COPERCHIETTO TENUTA 35-8	SEALING CAP	BOUTON D'ETANCHEITE'	DICHTUNGSKAPPE
7	4296943	ANELLO OR 140 D.34,52x3,53	O-RING D.34,52X3,53	JOINT TORIQUE D.34,52X3,53	O-RING D.34,52X3,53
8	4396947	LINGUETTA 6x6x18 (A) 6604	TAB 6X6X18	PLAQUE 6X6X18	PLÄTTCHEN 6X6X18
9	4296942	ANELLO TENUTA 20x35x10	O-RING 20X35X10	JOINT TORIQUE 20X35X10	O-RING 20X35X10
10	4398807	RONDELLA 14 (15x28x2,5)ZNT6592	WASHER 14 (15x28x2,5)	RONDELLE 14 (15x28x2,5)	SCHEIBE 14 (15x28x2,5)
11	4396941	DADO M14 6S BASSO ZNT 5589	NUT M14	ECROU M14	MUTTER M14
12	3010863	PULEGGIA RIDUTT. SMTG AUTO	GEARBOX PULLEY	POULIE REDUCTEUR	REDUKTORSCHEIBE
13	4399134	VITE TCEI M 8x30 8.8 5931	SCREW TCEI 8x30 8.8	VIS M8x30 8.8	SCHRAUBE TCEI M 8X 30 8.8
14	4399900	DADO AUTOBL.M 8 BASSO 6.S 7474	SELF-LOCKING NUT M8	ECROU A' BLOCAGE AUTOMAT. M8	SELBSTSPERRENDE MUTTER M8
15	4396940	SPINA CIL.RETT. 8x20 6364A	PIN 8X20	AXE 8X20	STIFT 8X20
16	3010884	RUOTA ELICOIDALE RID.-FINITA	HELICAL GEAR	ROUE HELICOIDALE	SCHNECKENRAD
17	4396946	ANELLO SEEGER E D.60x3 7436	SEEGER RING D.60X3	JOINT SEEGER D.60X3	SEEGER RING D.60X3
18	3010885	PERNO PER RUOTA ELICOID.	HELICAL GEAR STUD	AXE POUR ROUE HELICOIDALE	SCHNECKENRADBOLZEN
19	4396948	LINGUETTA 16x10x70 (A) 6604	TAB 16X10X70	PLAQUE 16X10X70	PLÄTTCHEN 16X10X70
20	4296910	CUSCINETTO 6212 60x110x22	BEARING 60X110X22	COUSSINET 60X110X22	LAGER 60X110X22
21	3010873	SCATOLA INFERIORE RIDUTTORE	REDUCTION GEAR BOX	BOITE REDUCTEUR	REDUKTORKASTEN
22	3010864	PULEGGIA MOTORE SMTG AUTO	MOTOR PULLEY	POULIE MOTEUR	MOTORSCHIEBE
23	4399922	VITE STEI 8x14 P.CIL. 5925	SCREW 8x14	VIS 8x14	SCHRAUBE 8x14
24	4296813	CINGHIA PV 610 J6	FLAT BELT	COURROIE	RIEMEN

25	3011384	ANGOLARE TENDICINGHIA-ZNT B.	TENSION ANGLE BAR	TENDEUR DE COURROIE EN L	RIEMENSPANNWINKELEISEN
26	4399946	VITE TE 8x16 8.8 5739	SCREW M8x16 8.8	VIS M8x16 8.8	SCHRAUBE M8x16 8.8
27	4399829	RONDELLA 8 (8,4x16x1,5)ZNT6592	WASHER 8 (8,4x16x1,5)	RONDELLE 8 (8,4X16X1,5)	SCHEIBE 8 (8,4x16x1,5)
28	4399976	DADO M 8 6S ZNT 5588	NUT M8	ECROU M8	MUTTER M8
29	4399824	VITE TE 10x14 8.8 5739	SCREW M10x14 8.8	VIS M10x14 8.8	SCHRAUBE M10x14 8.8
30	3011383	SUPP. MOTORE NUOVO RID.-ZNT B.	MOTOR SUPPORT	SUPPORT DE MOTEUR	MOTORLAGER
31	4399966	VITE TE 10x20 8.8 5739	SCREW M10x20 - 8.8	VIS 10x20 8.8	SCHRAUBE M10x20 8.8
32	4399935	VITE TE 8x25 8.8 5739	SCREW TE M8X25 8.8	VIS TE M8x25 8.8	SCHRAUBE TE M8x25 8.8
33	3000149	SUPP. MOTORE NUOVO RID.-ZNT B.	MOTOR SUPPORT	SUPPORT DE MOTEUR	MOTORLAGER
34	4399880	VITE TE 10x40 8.8	SCREW M10x40 - 8.8	VIS 10x40 8.8	SCHRAUBE M10x40 8.8
35	4399969	DADO M 10 6S	NUT M10	ECROU M10	MUTTER M10
36	3000164	PUNTALE PER TENDICINGHIA	BELT-STRETCHER SHOE	POINTEAU DE TENDEUR COURROIE	STUTZE f. RIEMENSPANNER
37	4599914	MOTORE 1PH - HP1,2 230V.50/60HZ	1PH MOTOR 1,2HP 230V 50/60HZ	MOTEUR 1PH 1,2HP 230V 50/60HZ	1PH MOTOR 1,2HP 230V 50/60HZ
37 A	4599924	MOTORE 3PH - 230/400V. 50 HZ	3 PHASE MOTOR 230/400 V. 50 HZ	MOTEUR 230/400 V 3 PH-50 HZ	DREIPHASENMOTOR 230/400V 50HZ
37 B	4598919	MOTORE 2VELOCITA.400V.HP 1-1,5 B3	TWO SPEED MOTOR	MOTEUR 2V. 400V HP 1/1,5	MOTOR 400V. HP.1/1,5 - B.3
37 C	4598499	MOTORE 1PH 115V. HP1,2 50/60Hz	115V 1PH MOTOR	MOTEUR 115V 1PH	MOTOR 115V. 1PH.
38	4396700	ANELLO SEEGER E D.50x2 7436	SEEGER RING D.50x2	JOINT SEEGER D.50x2	SEEGER RING D.50x2
39	4399964	VITE TE M 6x10	SCREW TE M6 x 10	VIS TE M6 x 10	SCHRAUBE TE M6x10 8.8
40	3001996	VITE PER RACCORDO GIREVOLE GT	SCREW FOR ROTATING UNION GT	VIS pour RACCORD PIVOTANT GT	SCHRAUBE f. DREHANSCHLUSS GT
41	4399933	VITE TE M10x50 8.8	SCREW TE M10x50	VIS TE M10x50	SCHRAUBE TE M10x50

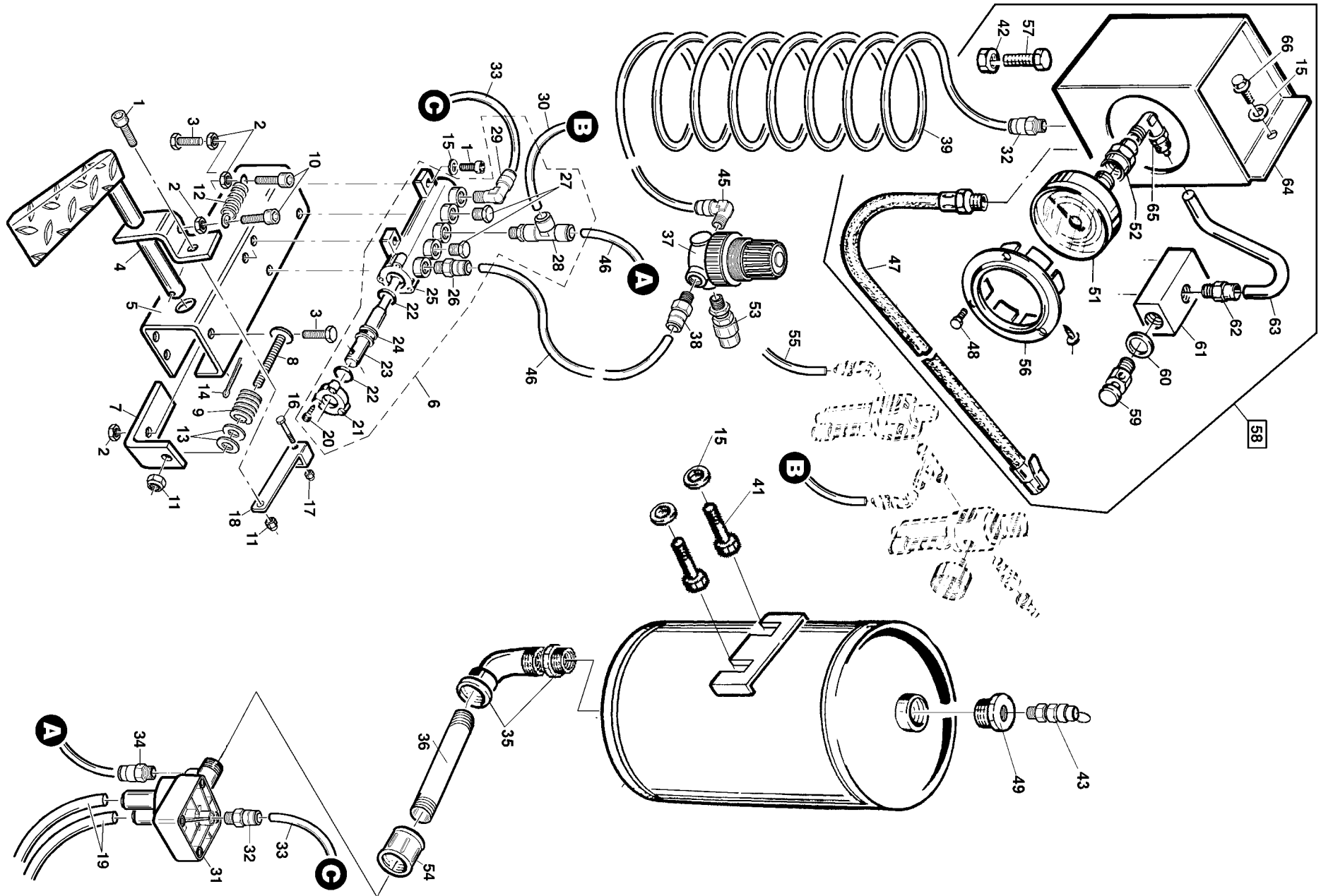
- MOTORE 2 VEL.
- MOTEUR 2 VITESSE
- 2-SPEED MOTOR
- MOTOR 2 DREHGESCHWINDIGKEITEN



- COMMUTATORE
- COMMUTATEUR
- COMMUTATOR
- POLWENDER

- INVERTITORE
- INVERSEUR
- REVERSER
- WECHSLER

1	4398892	VITE TC 3x16 ZNT 6107	SCREW 3x16	VIS TC 3x16	SCHRAUBE 3x16
2	4397671	VITE AUTOF. TSIC 4,2x13 6955	SELF-TAPPING SCREW 4,2x13	VIS AUTOTAR. 4,2X13 6955	BLECHSCHRAUBE 4,2x13
3	4599147	COMMUTATORE DI POLARITA' AUTO	POLE CHANGE SWITCH	COMMUTATEUR DE POLARITE'	POLUMSCHALTER
4	3001976	ANELLO IN PLASTICA COMMUTAT.2V	PLASTIC RING	JOINT EN CAOUTCHOUC	KUNSTSTOFFRING
5	3000174	PROTEZIONE INVERTITORE GRANDE	REVERSER COVER	COUVERCLE INVERSEUR 1 PH	WECHSLERSCHUTZ
6	4399885	VITE TC 4x25 ZNT 6107	SCREW TC 4x25	VIS TC 4x25	SCHRAUBE 4x25
7	4399996	DADO M 4 6S ALTO ZNT 5587	NUT M4 6S	ECROU M4 6S	MUTTER M4 6S
8	4598960	INVERTITORE 20 A SERIE 13	REVERSER	INVERSEUR	WECHSLER 20A SERIE 13
9	3000173	PROTEZIONE INVERTITORE PICCOLA	REVERSER COVER	PROTECTION INVERSEUR	WECHSLERSCHUTZ
10	4599986	BLOCCAPASSAC.RETT.D.9 SB7 R/3	CABLE HOLDER D.9	ARRET DE PASSE-CABLE D.9	KABELDURCHGANG/SPERRE D.9

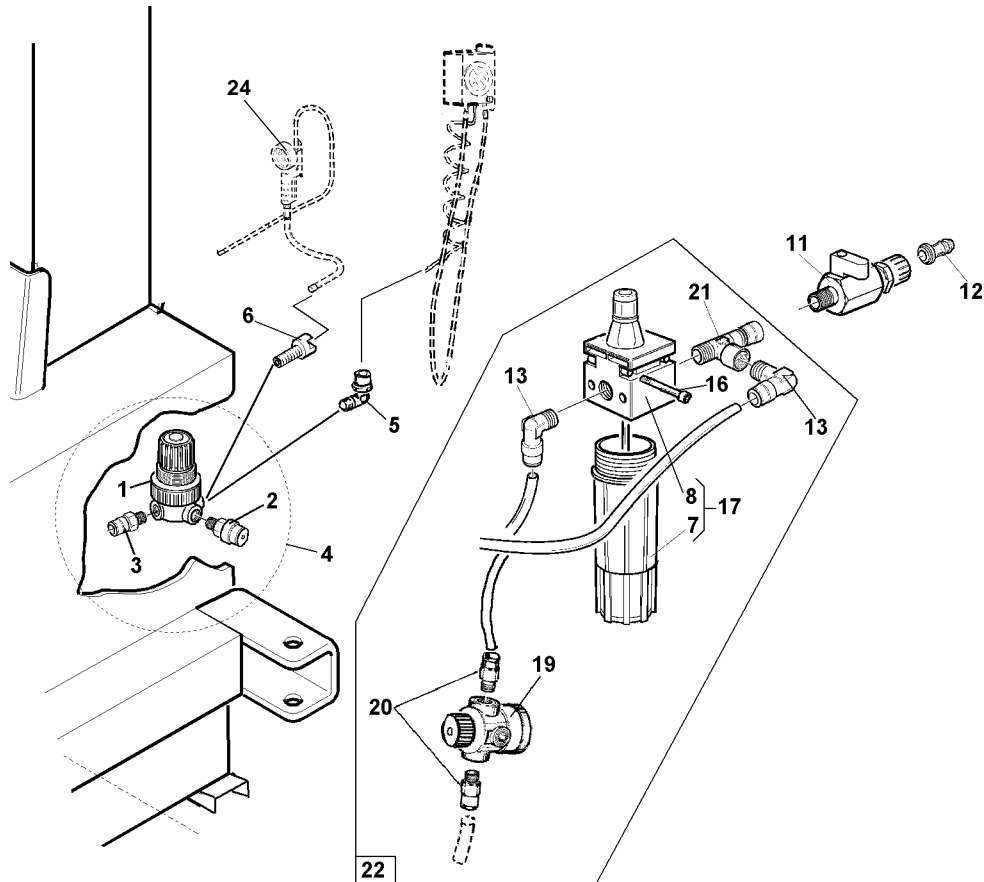


1	4399890	VITE TCEI M 6x20 8.8 5931	SCREW M6x20 - 8.8	VIS M6x20 - 8.8	SCHRAUBE M6x20 -8.8
2	4399889	DADO M 6 6S ZNT 5588	NUT M6	ECROU M6	MUTTER M6
3	4399892	VITE TE 6x20 8.8 5739	SCREW M6x20 - 8.8	VIS M6x20 - 8.8	SCHRAUBE M6x20 - 8.8
4	2110288	PEDALINO GT -ZINC. B.	GT PEDAL	PEDALE GT	GT-PEDAL
5	3010287	SUPPORTO PEDAL. GT-ZINC.B.	GT PEDAL SUPPORT	SUPPORT DE PEDALE GT	GT-PEDALSTUETZ
6	2009718	GR.VALVOLA GT COATS 9010	VALVE UNIT	GR.SOUPAPE GT	VENTIL
7	3008005	SUPP. VITE FINE CORSA-ZINC.B.	LIMIT STOP SCREW SUPPORT	SUPP. VIS FIN-DE-COURSE	ANSCHLAGSCHRAUBENSTUETZE
8	4398890	BULL. TTLQS 6x40 4.6 ZNT 5732	BOLT 6x40 4.6	VIS 6x45 4.8	SCHRAUBE 6x40 4.6
9	4298942	MOLLA GIALLA SL D.20x26	SPRING D.20x26	RESSORT D.20x26	FEDER D.20x26
10	4399999	VITE TCEI M 6x25 8.8 5931	SCREW M6x25 - 8.8	VIS M6x25 - 8.8	SCHRAUBE M6x25 - 8.8
11	4399893	DADO AUTOBL.M 6 BASSO.6S. 7474	SELF-LOCKING NUT M6	ECROU A' BLOCAGE AUTOM. M6	SELBSTSICHERNDE MUTTER M6
12	3000141	MOLLA RITORNO PEDALI	SPRING	RESSORT DE RAPPEL PEDALES	RUECKZUGFEDER
13	4398807	RONDELLA 14 (15x28x2,5)ZNT6592	WASHER 14 (15x28x2,5)	RONDELLE 14 (15x28x2,5)	SCHEIBE 14 (15x28x2,5)
14	4399100	COPIGLIA D.3,2X30 1336	SPLIT PIN D.3,2x30	GOUPILLE D.3,2x300	SPLINT D.3,2X30
15	4399998	RONDELLA 6 (6,4x12x1,6)ZNT6592	WASHER 6 (6,4x12x1,6)	RONDELLE 6 (6,4x12x1,6)	SCHEIBE 6 (6,4x12x1,6)
16	4399897	VITE TE 4x25 8.8 P.F. 5737	SCREW M4x25 - 8.8	VIS M4x25 - 8.8	SCHRAUBE M4x25 - 8.8
17	4399895	DADO AUTOBL.M 4 BASSO.6S. 7474	SELF-LOCKING NUT M4	ECROU A' BLOCAGE AUTOMAT. M4	SELBSTSICHERNDE MUTTER M4
18	3001853	LEVETTA COMANDO VALVOLA -ZNT	VALVE CONTROL LEVER	LEVIER COMMANDE SOUPAPE	VENTILKONTROLLHEBEL
19	3002109	TUBO RILSAN 14X11 L=1070	RILSAN HOSE D.14x11 L=1070	TUYAU RILSAN 14x12 L=1070	SCHLAUCH D.14x11 L=1070
20	4398999	VITE AUTOF. TCIC 3,5x13 6954	SELF-TAPPING SCREW 3,5x13	VIS AUTOTARADEUSE 3,5x13	BLECHSCHRAUBE 3,5x13
21	3001585	FLANGIA X VALVOLA 3001583	FLANGE for VALVE 3001583	BRIDE POUR SOUPAPE 3001583	FLANSCH
22	4299000	ANELLO OR 9,8x3,85	O-RING 9,8x3,85	JOINT OR 9,8x3,85	O-RING 9,8x3,85
23	3001849	ASTA X VALVOLA PNEU. GT TN	GT PNEUMATIC VALVE SHAFT	TIGE POUR SOUPAPE	VENTILSTANGE
24	3001584	DISTANZIALE X VALVOLA 3001583	SPACER FOR VALVE 3001583	ENTRETOISE	ABSTANDSSTUECK
25	3001583	VALVOLA DISTRIB.-SENZA CHIAVET	DISTRIBUTION VALVE	SOUPAPE DISTRIBUTION	VENTIL
26	4198954	RACCORDO 6510 1/8"-8 S.RAPIDO	QUICK UNION 6510 1/8"-8	RACCORD RAPIDE 6510 1/8"-8	SCHNELLANSCHLUSS 6510 1/8"-8
27	4199161	TAPPO MASCHIO 2611 1/8"	PLUG	BOUCHON 1/8"	VERSCHRAUBUNG 1/8"
28	4199888	RACCORDO "T" 1/8"-8/6 A.112	T-UNION	RACCORD PST08-01 1/8-8	T-VERSCHRAUBUNG 1/8"
29	4199098	RACCORDO 6500 1/8" 6-4 S.RAPID	UNION 6500 1/8" 6-4	RACCORD 1/8" 6-4	ANSCHLUSS 6500 1/8" 6-4

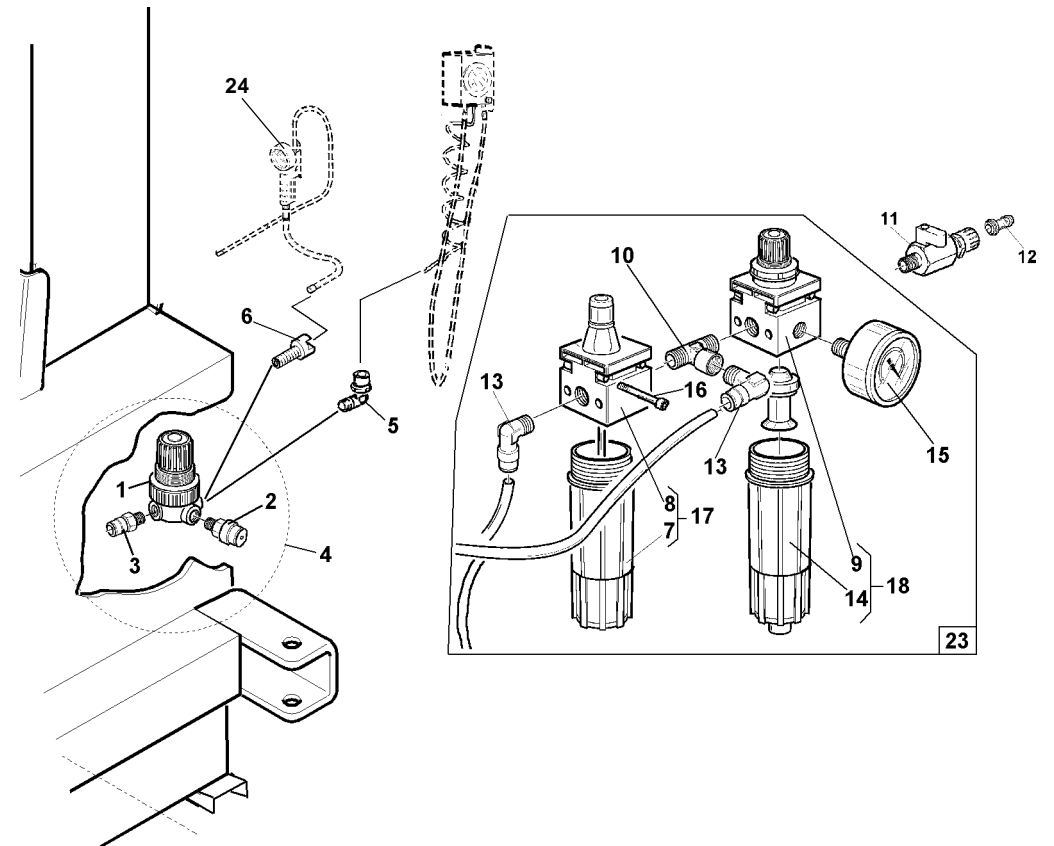
30	3001382	TUBO RILSAN D. 8X6 L=850	RILSAN HOSE D.8x6 L=850	TUYAU RILSAN D.8x6 L=850	SCHLAUCH D.8x6 L=850
31	4198531	VALVOLA PNEUM. 1"	PNEUMATIC VALVE 1"	SOUPAPE PNEUMAT.1"	DRUCKLUFTVENTIL 1"
32	4198884	RACCORDO 6510 1/4"-8 S.RAPIDO	UNION 6510 1/4"	RACCORD 6510 1/4"	ANSCHLUSS 6510 1/4"-8
33	3002110	TUBO RILSAN 6X4 L=580	RILSAN HOSE D.6x4 L=580	TUYAU RILSAN D.6x4 L=580	SCHLAUCH 6x4 L=580
34	4198298	RACCORDO 6510 1/4"-6 S.R.	6510 UNION 1/4"-6	RACCORD 6510 1/4" -6	ANSCHLUSS 6510 1/4" -6
35	4198852	RACCORDO 3 PZ.(125)1" F/M 90'	UNION 3 PCS.(125) 1" F/M 90'	RACCORD 3 PCS.(125) 1" F/M	ANSCHLUSS 1" F/M 90'
36	3005041	TUBO 1" MM.200-BRUNITO	PIPE 1"	TUYAU 1"	ROHR 1"
37	4198173	REGOLATORE 1/4" 0-3,5 BAR	REGULATOR 1/4" 0-3,5 BAR	REGULATEUR 1/4" 0-3,5 BAR	DRUCKREGLER 1/4" 0-3,5 BAR
38	4198884	RACCORDO 6510 1/4"-8 S.RAPIDO	UNION 6510 1/4"	RACCORD 6510 1/4"	ANSCHLUSS 6510 1/4"-8
39	3000635	SPIRALE RILSAN 8X6 L=2300	RILSAN HOSE D.8x6 L=2300	SPIRALE RILSAN D.8x6 L=2300	SPIRALSCHLAUCH 8x6 L=2300
40	4398945	VITE AUTOPERFORANTE TCB 4x12,6	SCREW 4x12,6	VIS 4x12,6	SCHRAUBE 4x12,6
41	4399837	VITE TSPEI M 8x20 10.9 5933	SCREW M8x20 10.9	VIS M8x20 10.9	SCHRAUBE 8X20 10.9
42	4399976	DADO M 8 6S ZNT 5588	NUT M8	ECROU M8	MUTTER M8
43	4198703	VALV.SIC.1/4"0/11 INAMOV.+ANELLO	SAFETY VALVE 1/4"	CLAPET DE SECURITE" 1/4"	SICHERHEITSVENTIL 1/4"
44	4198908	RACCORDO 2020 1/4" F/M	UNION 2020 1/4" F/M	RACCORD 2020 1/4" F/M	ANSCHLUSS 2020 1/4" F/M
45	4198578	RACCORDO 6520 1/4"-8/6 GIREV.	ROTATING UNION 1/4"-8/6	RACCORD 6520 1/4"8/6	VERSCHRAUBUNG 6520 1/4"-8/6
46	3010798	TUBO RILSAN D. 8x6 L=440	RILSAN HOSE D. 8x6 L=440	TUYAU RILSAN D.8x6 L=440	RILSAN SCHLAUCH D.8x6 L=440
47	2008872	GR.TUBO CENTR. GT EIWA L=1400	GT CONTROL UNIT HOSE L=1400	GR. TUYAU COM. GT L.1000	SCHLAUCH L=1400
48	4399038	VITE TE 4x8 8.8 5739	SCREW M4x8	VIS M4x8	SCHRAUBE 4x8 8.8
49	4199795	IDUZIONE 2530 1/2"-1/4"	REDUCTION PIECE 1/2"-1/4"	REDUCTION 1/2"-1/4"	UNTERSETZUNG 1/2"-1/4"
50	6602899	SERBATOIO LT.18 D.245 NERO-CEE	18LT TANK D.245	RESERVOIR LT.18 D.245	BEHAELTER LT.18 D.245
51	4299069	MANOMETRO CEE D. 80	PRESSURE GAUGE CEE D.80	MANOMETRE CEE D.80	MANOMETER CEE D.80
52	4198803	RIDUZIONE 2553 FF 1/4"-1/8"	REDUCTION 1/4"-1/8"	REDUCTEUR 2553 FF 1/4"-1/8"	ANSCHLUSS 2553 FF 1/4"-1/8"
53	4198435	VALV.SIC.1/8"0/4 BAR+RIV.+CAP.	SAFETY VALVE 1/8" 0/4 BAR	SOUPAPE SECURITE' 1/8" 0/4 BAR	SICHERHEITSVENTIL 1/8" 0/4BAR
54	4198642	MANICOTTO F 1"	SLEEVE COLLAR F 1"	MANCHON F 1"	MUFFE 1"
55	3000144	TUBO RILSAN D. 8X6 L=910	RILSAN HOSE D.8x6 L=910	TUYAU RILSAN D.8x6 L=910	SCHLAUCH D.8x6 L=910
56	3002351	FLANGIA X MANOMETRO D.80	FLANGE FOR MANOMETER D.80	BRIDE POUR MANOMETRE D.80	FLANSCH
57	4399946	VITE TE 8x16 8.8 5739	SCREW M8x16 8.8	VIS M8x16 8.8	SCHRAUBE M8x16 8.8
58	2008871	CENTR.PNEU.GT KPA-PSI-BAR EIWA	GT PNEUM. CONTROL UNIT	UNITE' DE CONTROL PNEUM. GT	DRUCKLUFTEINHEIT GT

59	4299354	PULSANTE DI SCARICO	RELIEF PUSHBUTTON	BOUTON-POUSSOIR DE DECHARGE	ABLASSKNOPF
60	4399256	ROND. RAME 1/4" (13x19x1,5)	WASHER 1/4" D.13x19x1,5	RONDELLE 1/4" D.13x19x1,5	KUPFERSCHEIBE 1/4" D.13x19x1,5
61	3002353	RIPARTITORE X U.G.	DISTRIBUTION FRAME	REPARTITEUR UNITE' GONFLAGE	VERTEILER
62	4198993	RACCORDO 6510 1/8"-6 S.RAPIDO	QUICK UNION 1/8"-6	RACCORD 6510 1/8"-6 RAPIDE	SCHNELLANSCHLUSS 1/8"-6
63	3002599	TUBO ELASTOLAN 6X4 L=170	ELASTOLAN HOSE 6x4 L=170	TUYAU D.6/4 L=170	SCHLAUCH 6x4 L=170
64	6602342	SCATOLA MANOMETRO GT-NERO BUC.	GT PRESSURE GAUGE UNIT	BOITIER MANOMETRE GT	MANOMETERKASTEN
65	4198833	RACCORDO 1500 1/8"-6/4 D.I.0,8	UNION 1500 1/8" 6/4	RACCORD 1500 1/8" 6/4	ANSCHLUSS 1500 1/8" - 6/4
66	4399892	VITE TE 6x20 8.8 5739	SCREW M6x20 - 8.8	VIS M6x20 - 8.8	SCHRAUBE M6x20 - 8.8

STANDARD



CON FILTRO REGOLATORE
WITH FILTER REGULATOR
AVEC FILTRE REGULATEUR
MIT FILTERREGLER



1	4198173	REGOLATORE 1/4" 0-3,5 BAR	REGULATEUR 1/4" 0-3,5 BAR	REGULATOR 1/4" 0-3,5 BAR	DRUCKREGLER 1/4" 0-3,5 BAR
2	4198435	VALV.SIC. 1/8"0/4 BAR+RIV.+CAP.	SOUPAPE SECURITE' 1/8" 0/4 BAR	SAFETY VALVE 1/8" 0/4 BAR	SICHERHEITSVENTIL 1/8" 0/4BAR
3	4198884	RACCORDO 6510 1/4"-8 S.RAPIDO	RACCORD 6510 1/4"	UNION 6510 1/4"	ANSCHLUSS 6510 1/4"-8
4	2010781	GR.REGOLAT.4 BAR USC. GT CE	GRUPPE REGULATEUR PRESS. 4BAR	4 BAR PRESSURE REGULATOR UNIT	4 BAR-DRUCKREGLERGRUPPE
5	4198578	RACCORDO 6520 1/4"-8/6 GIREV.	RACCORD 6520 1/4"8/6	ROTATING UNION 1/4"-8/6	VERSCHRAUBUNG 6520 1/4"-8/6
6	4199797	RACCORDO 9A/M 1/4"	RACCORD 9A/M 1/4"	UNION 9A/M 1/4"	ANSCHLUSS 9A/M 1/4"
7	4196316	TAZZA LUBRIFICATORE	CUVE DU LUBRIFICATEUR	LUBRICATOR CUP	SCHMIERBECHER
8	4196315	CORPO LUBRIFICATORE	CORPS LUBRIFICATEUR	LUBRICATOR	SCHMIERER
9	4196313	CORPO FILTRO REGOLATORE	CORPS FILTRE	FILTER BODY	FILTERKÖRPER
10	4198973	RACCORDO 2070 1/4" MFM	RACCORD 2070 1/4"	UNION	ANSCHLUSS 2070 1/4"
11	4198143	VALVOLA 400 1/4" F-F	SOUPAPE 400 1/4" F-F	VALVE 400 1/4" F-F	VENTIL 400 1/4" F-F
12	4199987	ATTACCO RESCA 2P 1/4 8	ATTELAGE	UNION 1/4	VERBINDUNG
13	4198883	RACCORDO 6500 1/4"-8 S.RAPIDO	RACCORD 6500 1/4"-8 RAPIDE	QUICK UNION 6500 1/4"-8	ANSCHLUSS 6500 1/4" - 8
14	4196314	TAZZA FILTRO REGOLATORE	CUVE FILTRE	FILTER CUP	FILTERBECKEN
15	4298308	MANOMETRO D.40 0-16 BAR 1/8"	MANOMETRE D.40 0-16 BAR 1/8"	PRESS. GAUGE D.40 0-16 BAR 1/8"	MANOMETER D.40 0-16 BAR 1/8"
16	4396593	VITE TCEI M 4x40 8.8	VIS 4x40	SCREW 4x40	SCHRAUBE 4x40
17	4196481	LUBRIFIC.1/4"	HUILEUR	LUBRICATOR	SCHMIERER
18	4196480	FILTRO REG.	FILTRE REGULATEUR	FILTER REGULATOR	FILTERREGLER
19	4198951	REGOLATORE 1/4" 0,5-10 BAR	REGULATEUR 1/4" 0,5-10 BAR	REGULATOR	REGLER 1/4" 0,5 - 12 BAR
20	4198884	RACCORDO 6510 1/4"-8 S.RAPIDO	RACCORD 6510 1/4"	UNION 6510 1/4"	ANSCHLUSS 6510 1/4"-8
21	4199818	RACCORDO 2070 1/4 MFF	RACCORD 1/4"	UNION 1/4"	ANSCHLUSS 1/4"
22	2012326	GRUPPO LUBRIFICATORE	HUILEUR	LUBRICATOR GROUP	SCHMIERER
23	2012307	GRUPPO LUBRIFICAT + FILTRO REG.	HUILEUR+FILTRE REGULATEUR	LUBRICATOR+FILTER REGULATOR	SCHMIERER+FILTERREGLER
24	9298243	PISTOLETTA GONFIAGGIO MICHELIN	PISTOLET MICHELIN CE COMPL.	MICHELIN INFLATING GAUGE - CE	MICHELIN LUFTDRUCKPISTOLE CE



GIULIANO S.r.l.

Via Guerrieri, 6 - 42015 CORREGGIO - ITALY
Tel. +39. 522. 73.11.11 - Fax. +39. 522. 63.31.09

E-mail: giuliano@giuliano.it

<http://www.giuliano.it>