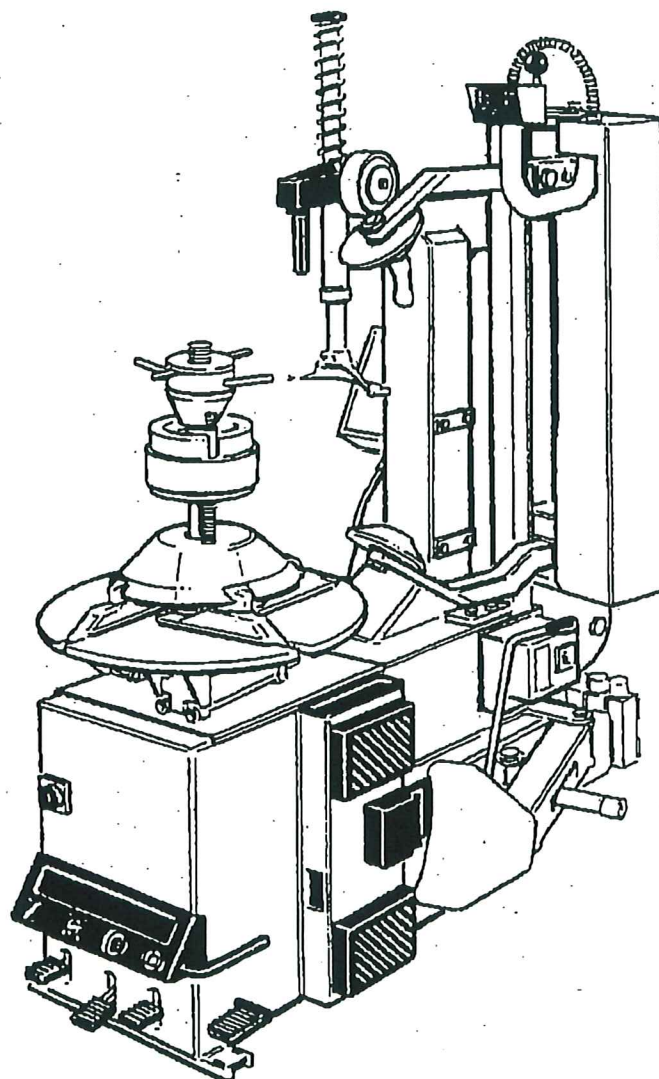


CEMB



CE

English



INSTRUCTIONS MANUAL

Tyre Changing Machine

F 29

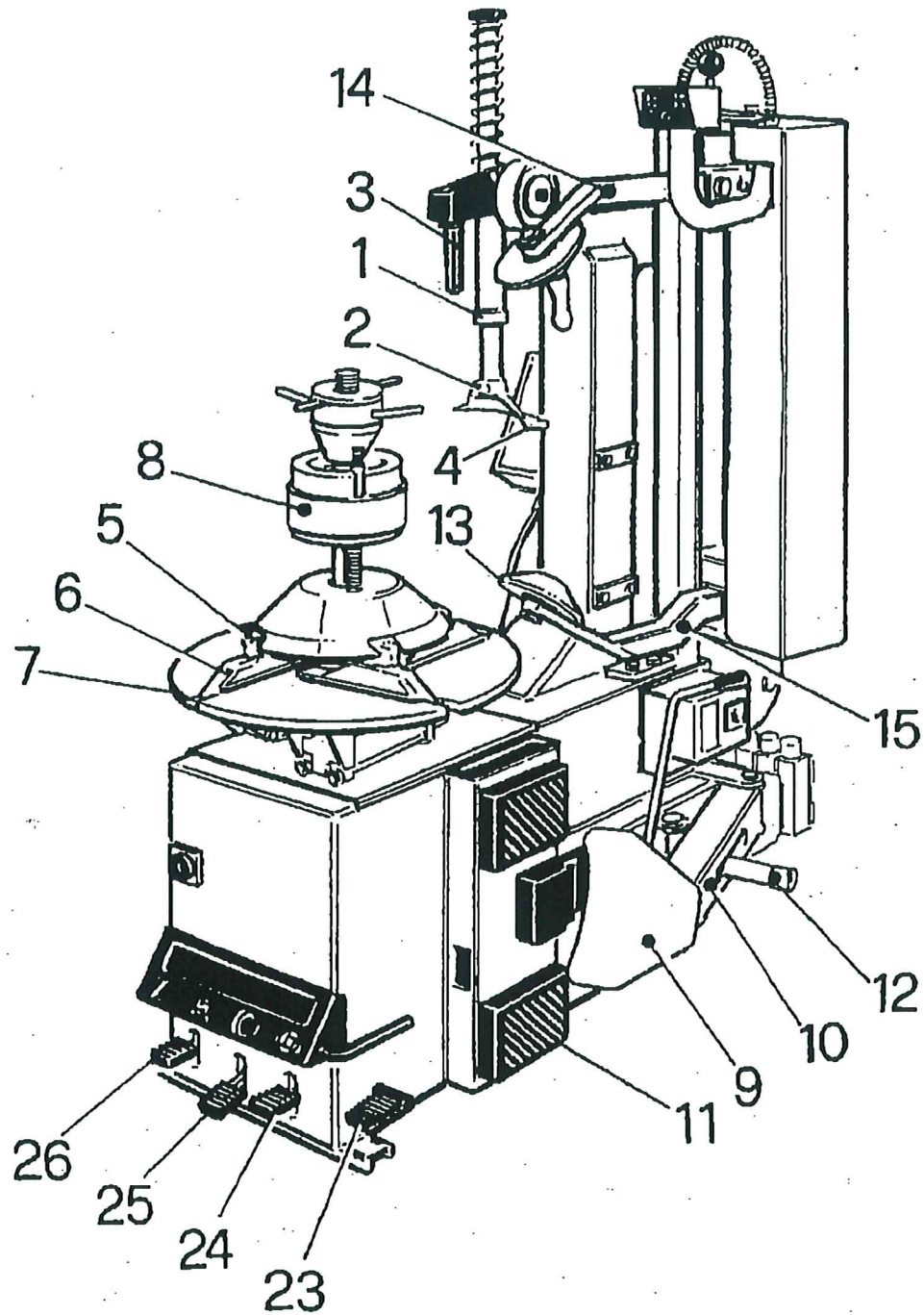


fig. 1

KEY

COLUMN

- 1. Sliding arm
- 2. Head
- 3. Locking grip
- 4. Sliding roller

CHUCK

- 5. Locking jaws
- 6. Sliding track
- 7. Self-centring chuck plate
- 8. Rim locking device

PNEUMATIC BEAD-BREAKER

- 9. Bead-breaking plate
- 10. Bead-breaking arm
- 11. Anti-abrasive support
- 12. Three position device

HYDRAULIC BEAD-BREAKER

- 13. Teflon rollers
- 14. Upper roller arm
- 15. Lower roller arm

PEDALS

- 23. Invertor pedal
- 24. Bead-breaker pedal
- 25. Open/close pedal
- 26. Movable arm pedal

TECHNICAL CHARACTERISTICS

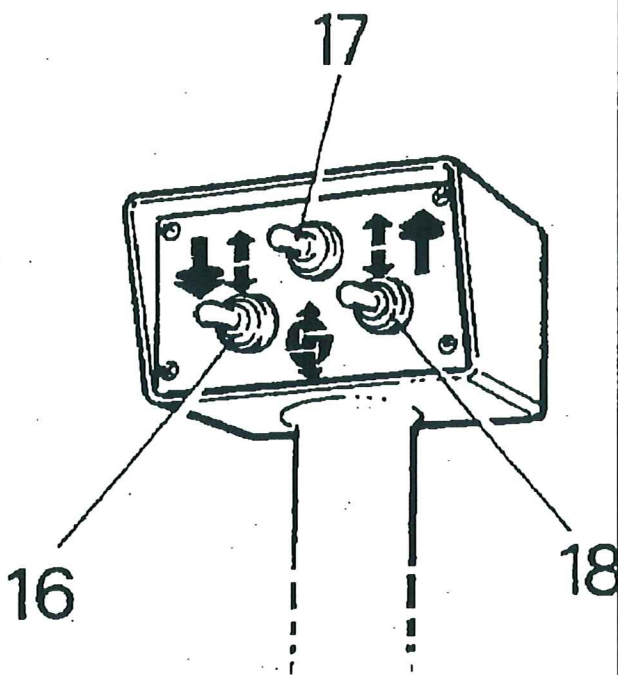


fig. 1a

TECHNICAL DATA

DIMENSIONS

Max. height.....1950mm.
 Depth.....1650mm.
 Max. width.....1100mm.
 Chuck longitudinal displacement.....130mm.

WEIGHT

Net weight.....393 kg.
 Gross weight425 kg.

SELF-CENTRING CHUCK

Motor.....3~230-400V Hp 1,2-1,7

NOISE LEVEL

.....75db

HYDRAULIC UNIT

Motor.....3~230-400V IP 0,50

Pneumatic bead-breaker power.....2500 kg
 Hydraulic bead-breaker roller power.....1400 kg

Pneumatic pressure.....8-12 bar - 800/1200 kPa
 Hydraulic pressure150 bar - 15000 kPa

RANGE OF APPLICATIONS

F29 can operate on wheels having the following minimum and maximum dimensions:

WHEEL	min/max
Wheel width	3" - 16"
Rim diameter (locked internally).....	12" - 22"
Rim diameter (locked externally).....	10" - 19"
Max. wheel diameter.....	1180mm.

MOTORCYCLE WHEEL	min/max
Wheel width	3 - 10"
Rim diameter	15"-25"
Max. wheel diameter.....	1180mm.

* In order to work on motorcycle wheels it is necessary to install the motorcycle attachments, available on request (see pg. 10).

KEY

BREAD-BREAKER CONTROL PANEL

- 16. Upper arm up/down control
- 17. Chuck movement control
- 18. Lower arm up/down control

REGISTRATION PLATE DATA

CEMB



CEMB s.p.a.
 Via Risorgimento 9
 22054 Mandello del Lario (CO) Italy

Model _____

V _____ ~ _____ Hz _____ A

IP _____ max kPa _____ max bar

Hydraulic Working Pressure Bar

Kg _____ YEAR _____

N° MATR _____

