

QUALITY LIFTS™

RAISING THE LEVEL OF PERFORMANCE

NEW & IMPROVED Q10

The Q10: 10,000lb Capacity Certified 2-Post Lift



Asymmetric Application

model#: Q10
Asymmetric/Symmetric Lift
10,000 lb. lifting capacity

Asymmetric/Symmetric Lifting

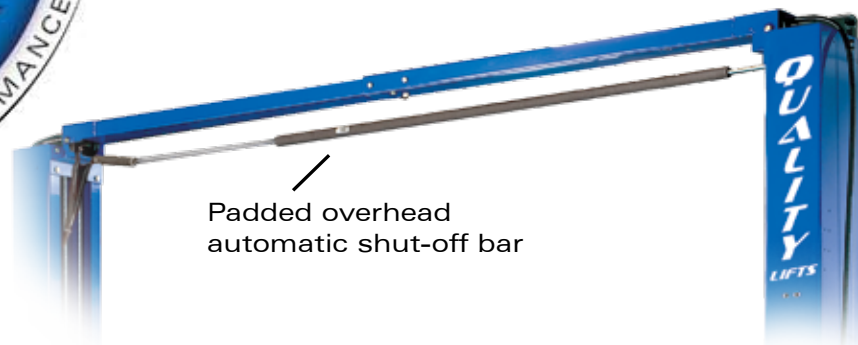


Symmetric Application

model#: Q10
Asymmetric/Symmetric Lift
10,000 lb. lifting capacity



Look for the sign of **QUALITY**
TOLL FREE: **877-771-5438**
www.qualitylifts.com



Padded overhead automatic shut-off bar

New & Improved Q10

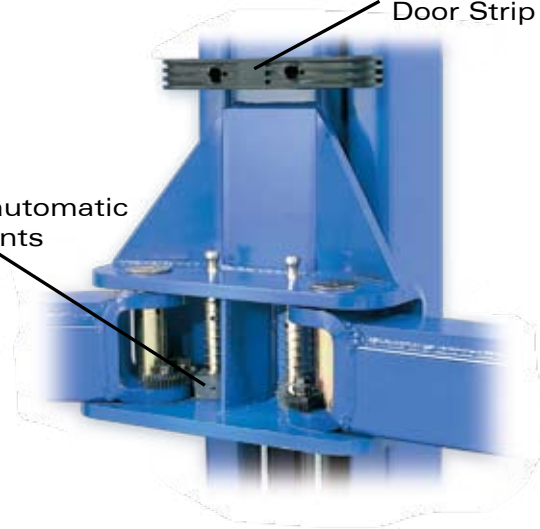
- Single piece overhead for ease of installation
- Padded overhead bar for improved vehicle protection
- Faster rise for improved productivity
- Thicker cables and steel pulleys for longer life
- Taller carriage for reduced slider wear
- 71" cylinder stroke for excellent rise
- Adjustable height

SPECIFICATIONS	Model: Q10
Lifting Capacity	10,000 lb. (4535kg)
Rise Height*	78 ³ / ₄ " (2000mm)
Adj. Height Overall	12' 3 ¹ / ₂ " or 11' 5 ¹ / ₂ " (3747mm or 3493mm)
Width Overall	131 ³ / ₄ " (3347mm)
Drive-Thru Clearance	98 ³ / ₈ " (2499mm)
Floor To Overhead Switch	11' 8 ¹ / ₂ " or 10' 10 ¹ / ₂ " (3568mm or 3314mm)
Front Arm Reach	Min. 21 ³ / ₄ " / Max. 39 ¹ / ₄ " (Min. 553mm / Max. 998mm)
Rear Arm Reach	Min. 38 ¹ / ₄ " / Max. 55 ³ / ₈ " (Min. 971mm / Max. 1407mm)
Screw Pad Height**	Min. 4" / Max. 7 ¹ / ₂ " (Min. 103mm / Max. 193mm)
Inside Columns	9' 2 ¹ / ₄ " (2800mm)
Motor	2HP
Voltage Single Phase	208v-230v
Ceiling Height Required	12' 5" (3785mm)
Max. Load Per Arm	2,500 lb. (1134mm)

* Rise height is measured with screw pads in highest position.

** Specifications are listed without rubber pad, for measurements with rubber pad add 1/4" (6mm)

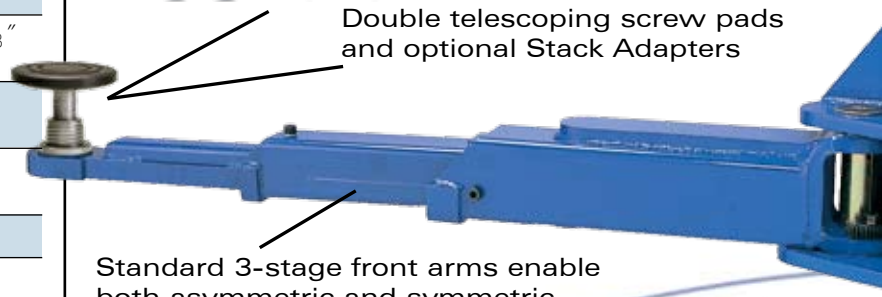
Rubber Protective Door Strip



Anodized automatic arm restraints



Double telescoping screw pads and optional Stack Adapters



Standard 3-stage front arms enable both asymmetric and symmetric lifting capabilities

DISTRIBUTED BY:



TOLL FREE: **877-771-5438**

200 Cabel Street
Louisville, KY 40206
www.qualitylifts.com

Quality Lifts, LLC reserves the right to make changes without notice and without making changes retroactive.