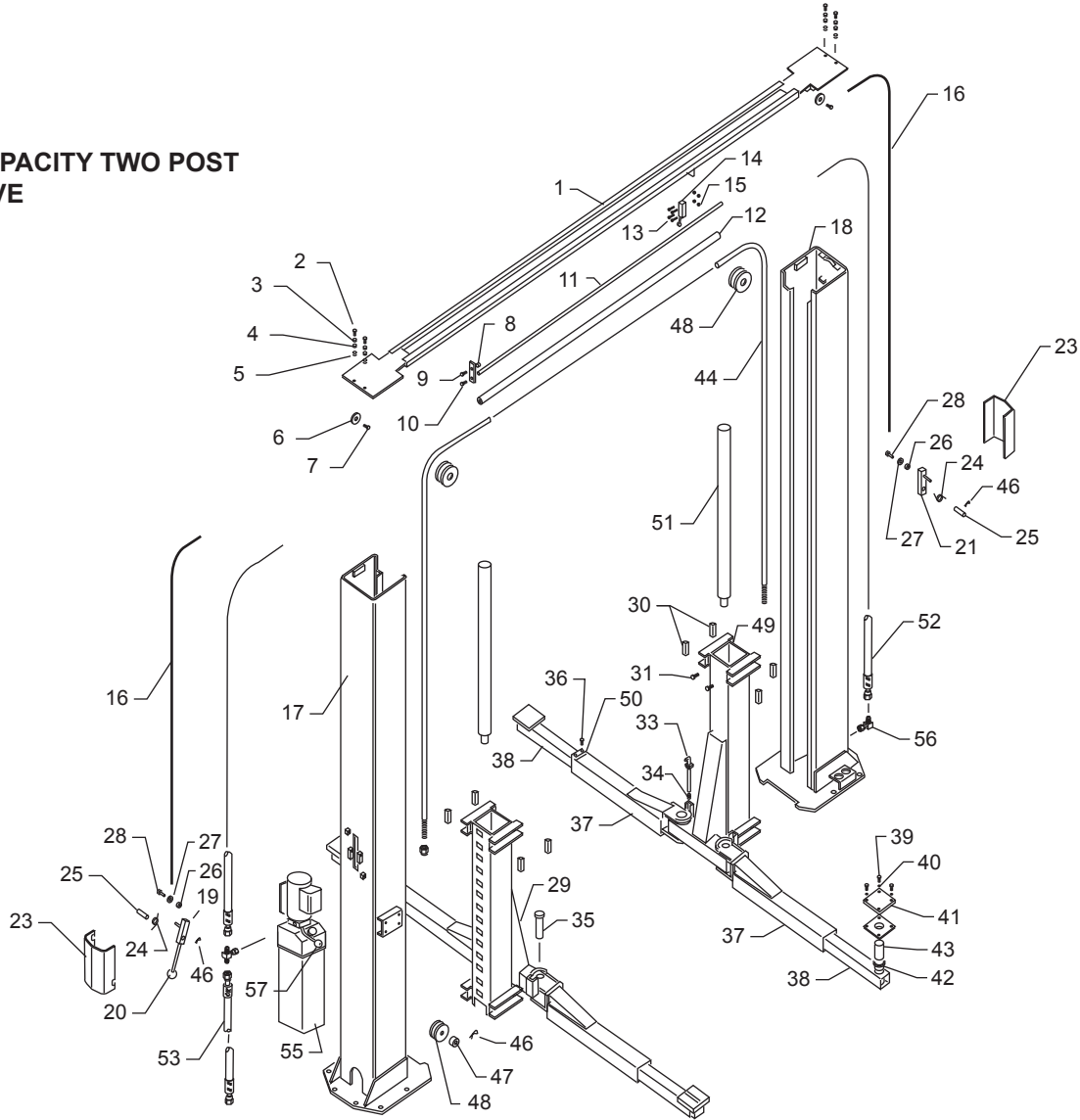


TUXEDO DISTRIBUTORS, LLC

TP10D

10,000LB CAPACITY TWO POST
DIRECT DRIVE



ILLUSTRATIONS ARE FOR REFERENCE ONLY AND ARE SUBJECT TO CHANGE WITHOUT NOTICE

ITEM	P/N	DESCRIPTION
1	TP10D-2000	CROSSBEAM, OVERHEAD
2	TP10D-2001	BOLT, HEX
3	TP10D-2002	WASHER, FLAT
4	TP10D-2003	WASHER, LOCK
5	TP10D-2004	NUT, NY-LOCK
6	TP10D-2005	PULLEY, CABLE
7	TP10D-2006	BOLT, HEX PULLEY
8	TP10D-2007	NUT, NY-LOCK
9	TP10D-2008	BOLT, HEX
10	TP10D-2009	BOLT, HEX
11	TP10D-2010	SAFETY BAR
12	TP10D-2011	FOAM, TUBULAR
13	TP10D-2012	SCREW, LIMIT SWITCH
14	TP10D-2013	SWITCH, LIMIT
15	TP10D-2014	NUT
16	TP10D-2015	CABLE, SAFETY
17	TP10D-2016	COLUMN, PU SIDE
18	TP10D-2017	COLUMN, OFFSIDE
19	TP10D-2018	LOCK, SAFETY, MAINSIDE
20	TP10D-2019	HANDLE

ITEM	P/N	DESCRIPTION
21	TP10D-2020	LOCK, SAFETY, OFFSIDE
22	TP10D-2021	NUT, HEX
23	TP10D-2022	COVER, SAFETY LOCK
24	TP10D-2023	SPRING
25	TP10D-2024	PIN, SAFETY
26	TP10D-2025	NUT, HEX
27	TP10D-2026	PULLEY, CABLE
28	TP10D-2027	BOLT, HEX
29	TP10D-2028	CARRIAGE
30	TP10D-2029	RUB BLOCK
31	TP10D-2030	SCREW
32	TP10D-2031	BOLT
33	TP10D-2032	ARM LOCK
34	TP10D-2033	SPRING
35	TP10D-2034	PIN, SWING ARM
36	TP10D-2035	SCREW
37	TP10D-2036	SWING ARM
38	TP10D-2037	SLIDER BAR
39	TP10D-2038	BOLT, HEX
40	TP10D-2039	NUT, HEX

ITEM	P/N	DESCRIPTION
41	TP10D-2040	SWIVEL PAD
42	TP10D-2041	WASHER, SPRING
43	TP10D-2042	SHAFT
44	TP10D-2043	CABLE
45	TP10D-2044	NUT, HEX
46	TP10D-2045	COTTER PIN
47	TP10D-2046	BUSHING
48	TP10D-2047	SHEAVE CABLE
49	TP10D-2048	PLATE
50	TP10D-2049	BLOCK
51	TP10D-2050	CYLINDER, HYDRAULIC
52	TP10D-2051	HOSE, HYD, CYL TO PU (LONG)
53	TP10D-2052	HOSE, HYD, CYL TO PU (SHORT)
54	TP10D-2053	FITTING, HYD TEE
55	TP10D-2054	POWER UNIT
56	TP10D-2055	FITTING, HYD ELBOW
57	TP10D-2056	HANDLE